



by **Schneider** Electric

INSTALLATION

EH-MKIT Marine Kit

Important Safety Instructions

1. Read these instructions.
2. Keep these instructions.
3. Heed all warnings.
4. Follow all instructions.
5. Only use attachments/accessories specified by the manufacturer.
6. Installation should be done by qualified personnel and conform to all local codes.
7. This product is not suitable for splash zone installations. Only use stainless steel marine-rated enclosures and pan and tilts for splash zone installations.

Description

The EH-MKIT marine kit is designed to work with light-to-medium enclosures compatible with EM1512 and EM1450 wall mounts. The EH-MKIT marine kit protects the enclosures and the wall mounts from galvanic corrosion by electrically isolating the system from the mounting structure. When installed correctly, the marine kit eliminates the conductive path between the aluminum mount and the dissimilar metal of the mounting structure.

The EH-MKIT marine kit includes the following parts:

Qty Description

- | | |
|---|---------------------------------------|
| 1 | Gasket |
| 3 | 1/4-inch nylon shoulder washers |
| 3 | 1/4-inch stainless steel flat washers |

IMPORTANT:

- Galvanic corrosion is a process that is common in a marine environment. It requires marine installation techniques to protect the installation. If you are unfamiliar with such installation techniques, consult a marine installation expert.
- Pelco cannot accept any responsibility for incorrect installations that result in galvanic corrosion damage to the unit.
- This product must be installed correctly to provide protection against galvanic corrosion. Failure to follow these installation instructions will void the warranty.

Installation

To install the marine kit (refer to Figure 1):

1. Align the mounting holes of the mount with the gasket mounting holes.
2. Secure the mount and the gasket to the mounting surface/structure:
 - a. Insert a shoulder washer in a mounting hole on the mount, and then place a flat washer over the shoulder washer.
 - b. Insert a bolt (not supplied) through the flat washer and shoulder washer.

If using three bolts, insert two in the top two outer holes and one in the bottom hole. If using two bolts, insert one in the top center hole and one in the bottom hole.

Use bolts with a maximum diameter of 1/4-inch (0.635 cm).

Note: Use a bolt of the appropriate length that is able to support the weight of the unit.
 - c. Hand tighten the bolt to the mounting surface/structure.
 - d. Repeat the above steps to secure all sides of the mount.
 - e. Tighten the three bolts. (Some applications will allow only two bolts to be used; for example, when mounting to a stud.)
3. To complete the installation of the enclosure, refer to the installation instructions in the applicable enclosure manual.
4. Use a resistance meter to verify that a conductive path does not exist after the installation is completed.
5. Use a galvanic isolator (not supplied) or ohmmeter (not supplied) to connect the enclosure ground to a safety ground. The galvanic isolator must have a duty rating exceeding 135 percent of the service rating. Galvanic isolators are sold at most marine shops.

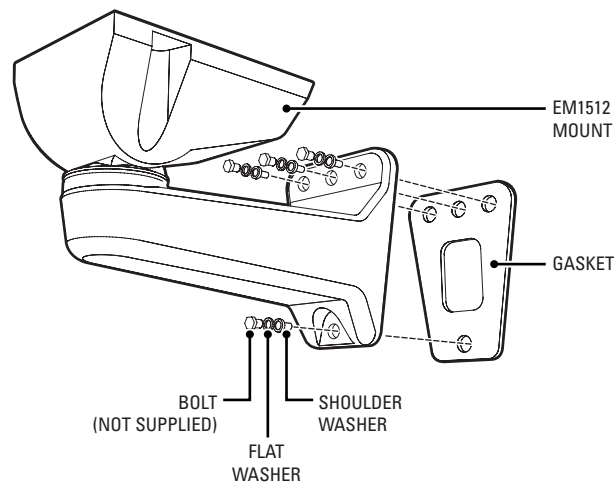



Figure 1. EH-MKIT Installation

REVISION HISTORY

Manual #	Date	Comments
C3459M	3/09	Original version.

 The materials used in the manufacture of this document and its components are compliant to the requirements of Directive 2002/95/EC.

Pelco, Inc. Worldwide Headquarters 3500 Pelco Way, Clovis, California 93612 USA
USA & Canada Tel (800) 289-9100 Fax (800) 289-9150
International Tel +1 (559) 292-1981 Fax +1 (559) 348-1120
www.pelco.com