



**M300C
M3C / M33C
SERIES
MULTIMODE**

Single Channel FM Video Transmission System

Extended Range Low Profile / Mini / High Density



FEATURES:

- Compatible with NTSC; RS-170A & RS-343A and PAL
- Diagnostics: Video, Power and Optical Presence
- Full Color Transmission
- Small Profile
- PFM Video Transmission

SPECIFICATIONS:

Video:

I/O Level	1 Vpp
I/O Impedance	75 Ohms
Bandwidth	8 MHz
Differential Gain	5%
Differential Phase	5°
SNR	60 dB
Connector	BNC

Optical:

Wavelength	1300 nm
Loss Budget (62.5/125µ)	12 dB
Connector	ST

Temperature (Operating):

-40°C to +74°C, non-condensing

Power Supply:

Module - 12 VDC (AFI Part #: PS-12)	
Power Consumption	2 Watts
Rack Card (See AFI Part #: SR-20D/2)	
Power Consumption (M-300)	3 Watts
Power Consumption (M-33)	7 Watts

Size:

Mini Module - 2½" length x 1½" diameter
 Low Profile Module - 3" x 2" x 7/8"
 Rack Card - 6½" x 1" x 5"

ORDERING INFORMATION:

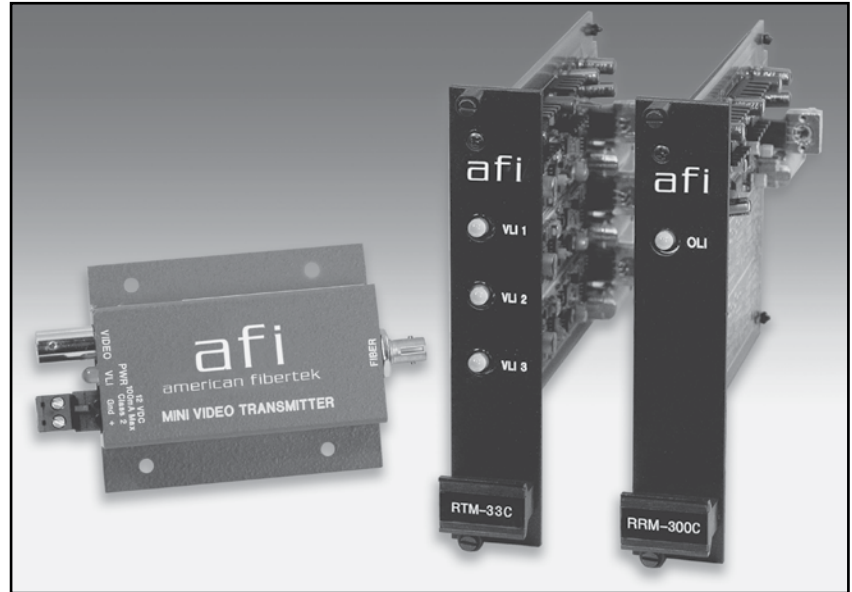
- MTM-3C = Mini Module Transmitter
- MTM-300C = Module Transmitter
- RTM-300C = Rack Card Transmitter
- RTM-33C = 3-up Rack Card Transmitter
- MRM-300C = Module Receiver
- RRM-300C = Rack Card Receiver
- RRM-33C = 3-up Rack Card Receiver

Example: MTM-3C to MRM-300C

*Example: MTM-3C
 MTM-300C } to RRM-33C
 MTM-300C }*

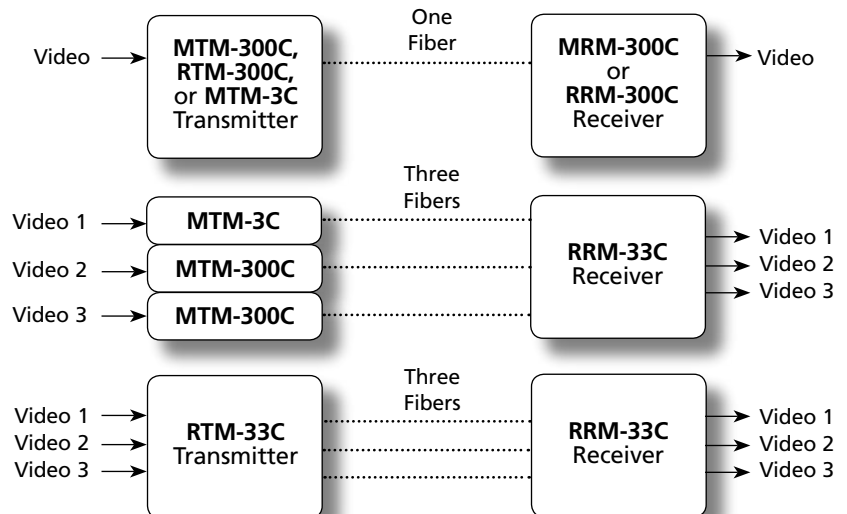
Example: RTM-33C to RRM-33C

Note: This is a High Density Fiber Solution that allows up to 42 videos to be transmitted from one SR-20D/2 subrack to another SR-20D/2 subrack.



The American Fibertek M3C and M300C Series transmit one channel of high-quality, FM video on one multimode optical fiber. The American Fibertek M33C Series transmits three channels of high-quality, FM video on three multimode optical fibers. All units operate at 1300 nm for extended range applications and are compatible across the series. Designed to be completely transparent to all camera and monitor manufacturers, the system requires no field adjustments at installation or additional maintenance thereafter. Diagnostic indicators provide a quick visual indication of system status.

The MTM-3C is a miniature transmitter that is designed to mount directly on the back of a video camera. The M300C Series may be ordered as stand alone low profile modules or rack cards that are mounted in the SR-20D/2 or SR-20R/1 American Fibertek Card Cage. The M33C Series are ordered as rack cards to be mounted in the SR-20D/2 or SR-20R/1.



SEE WEBSITE FOR CURRENT RoHS PRODUCT AVAILABILITY