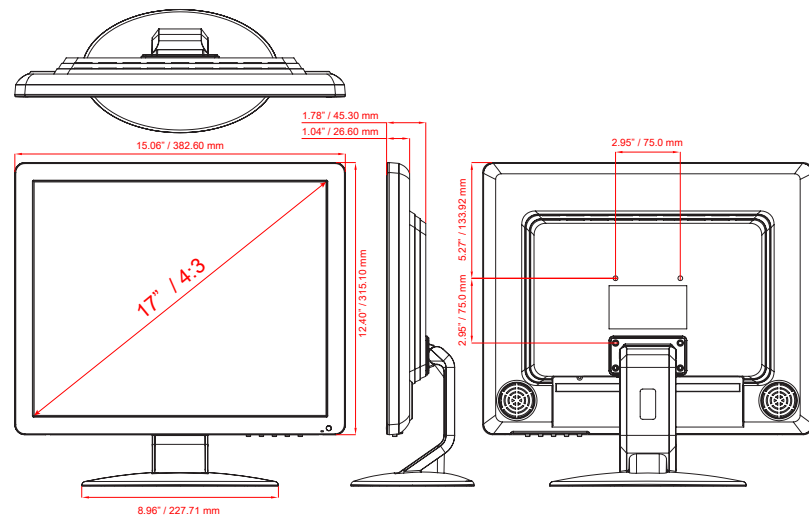


MODEL #	VZ-17RTN	
VIDEO		
Screen Size	17"	
Max. Resolution	1280 x 1024 @60Hz	
Pixel Pitch	0.264 mm x 0.264 mm	
Brightness	300cd/m²(Typical)	
Contrast Ratio	700:1	
Aspect Ratio	5 : 4	
Viewing Angle (H/V)	170° / 150°	
Display Color	16.7 Million	
Response Time	< 5ms	
Video System	NTSC / PAL	
Frequency (H)	30 ~ 80 kHz	
Frequency (V)	50 ~ 75 Hz	
INTERFACE		
AV (Composite) In / Out	2 / 1	
VGA In (15Pin D-Sub)	1	
HDMI In	1	
Audio In / Out	1 / 1	
AUDIO		
Built in speaker	1.5W X 2	
SPECIAL FEATURES		
Filter Type	3D Comb-filter / De-Interlace	
Analog Video Resolution (Max)	600 TV Line	
Language	English, Deutsch, French, Spanish, Italian	
DIMENSIONS & WEIGHT		
Outline Dimension (W x H x D)	15.06" x 12.40" x 1.78"	
Without stand	382.60 x 315.10 x 45.30 mm	
Net Weight / Gross Weight	6.10 lbs (2.77 kg) / 7.20 lbs (3.27 kg)	
MOUNT		
VESA	75mm x 75mm	
GENERAL		
Power	Electrical Ratings	DC 12V, 3A (AC 100-240V, 50/60Hz)
	Consumption	20 W
Operating Temperature Humidity		
Regulations		
Compatible Mounts	WALL	VZ-WM05, VZ-WM11, VZ-AM01, VZ-AM02
	CEILING	VZ-CM06W/B, VZ-CM18W/B, VZ-CMKIT-01
	RACK	VZ-RMK08

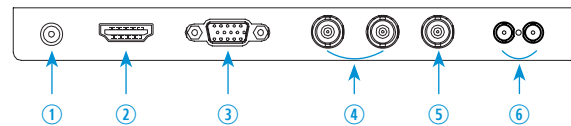
VZ-17RTN ADVANTAGES

- 17" LED CCTV Monitor
- 3D Comb-filter, De-Interlace, 600 TV Line
- HDMI, VGA
- 2 BNC(Composite) Inputs / 1 BNC (Composite) Output (Loop-through)
- Built-in Speakers, Auto Source & Power Recovery
- 3-Year Warranty

DIMENSIONS



INTERFACE



1. DC12V IN
2. HDMI IN
3. VGA IN
4. AV 1, AV 2 IN
5. AV OUT
6. AUDIO IN / OUT

Contact ViewZ

- Address : 177 W. Orangethorpe Ave., Placentia, CA 92870
- Phone : (714) 996-1177, Fax : (714) 996-1138
- Sales : sales@viewzusa.com
- Specification subject to change without notice.