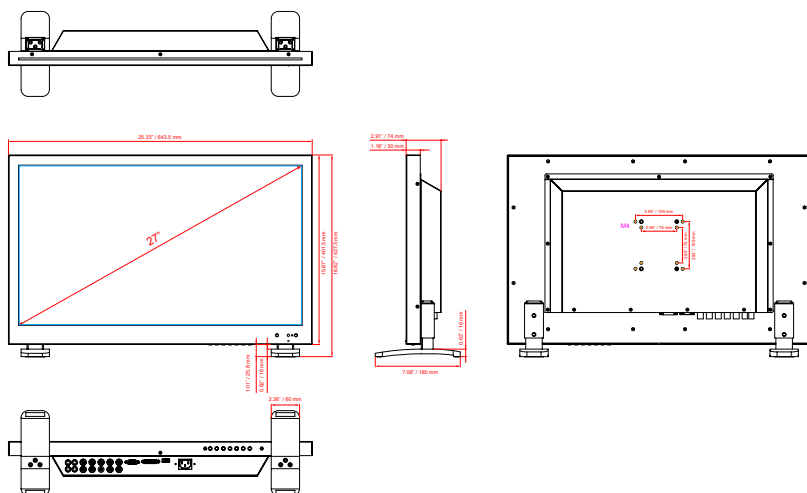


MODEL #		VZ-27LX
VIDEO		
Screen Size	27"	
Max. Resolution	1920 x 1080 @60Hz	
Pixel Pitch	0.311 mm x 0.311 mm	
Brightness	250cd/m ² (Typical)	
Contrast Ratio	1000:1	
Aspect Ratio	16 : 9	
Viewing Angle (H/V)	170° / 160° (CR > 10)	
Display Color	16.7 Million	
Response Time	< 5ms	
Video System	NTSC / PAL	
Frequency (H)	30 ~ 80Khz	
Frequency (V)	50 ~ 75Hz	
INTERFACE		
VGA In (15Pin D-Sub)	1	
AV (Composite) In / Out	5 / 2	
Component (Y, Pb, Pr) In	1	
DVI - In	1	
HDMI In	2	
YPbPr Sound L/R (RCA Type)	1 / 1	
AV(Composite) Sound L/R (RCA Type)	1 / 1	
AUDIO		
Built in speaker	5W X 2	
SPECIAL FEATURES		
Multi Display Function	PIP / PBP	
Filter Type	3D Comb-filter / De-Interlace	
Image Rotation	YES	
Trigger Sensor	YES	
Analog Video Resolution (MAX)	600 TV Line	
Multi-lingual Language	English, Spanish, French, Russian, Portuguese	
DIMENSIONS & WEIGHT		
Outline Dimension (W x H x D) (Including Stand)	25.33" x 16.82" x 7.08" 643.5mm x 427.3mm x 180mm	
Net Weight / Gross Weight	20.65 lbs (9.37 kg) / 29.80 lbs (13.52 kg)	
MOUNT		
VESA	75mm x 75mm 100mm x 100mm / 4 x (M4 x L10) Screws	
GENERAL		
Power	Electrical Ratings	AC100 ~ 240V(50/60Hz)
	Consumption	≤ 40 W
Warranty	Parts/ Labor	3 Year / 3 Year
	MTBF (Approx.)	50,000 Hours
Operating Temperature	14 - 122°F / -10°C ~ 50°C	
Regulation	CE, FCC (A), ROHS	
Compatible Mounts	Wall	VZ-AM02, VZ-WM50
	Ceiling	VZ-CM06, VZ-CM18, VZ-CMKIT-01, VZ-CMKIT-02

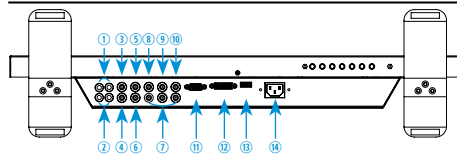
VZ-27LX ADVANTAGES

- 27" 1080p CCTV LED Monitor
- 3D Comb-filter, De-interlace, Built-in Speakers
- Digital & Analog Inputs - BNC Loop-through out, YPbPr, VGA, HDMI and DVI
- Image Retention Feature Prevents "Pixel Burn-In"
- PIP, PBP / Auto Source & Power Recovery
- 3-Year Warranty

DIMENSIONS



INTERFACE



- | | | |
|-----------------------------|----------------------|---------------------------|
| 1. AV AUDIO IN (L / R) | 6. AV (BNC) #2 OUT | 11. VGA (15 Pin D-Sub) IN |
| 2. YPbPr AUDIO IN (L / R) | 7. YPbPr (BNC) IN | 12. DVI IN |
| 3. AV (BNC) #1 IN | 8. AV (BNC) #3 IN | 13. HDMI IN |
| 4. AV (BNC) #1 OUT | 9. AV (BNC) #4 IN | 14. AC 110V IN |
| 5. AV (BNC) #2 IN | 10. AV (BNC) #5 IN | |

Contact ViewZ

- Address : 177 W. Orangethorpe Ave., Placentia, CA 92870
- Phone : (714) 996-1177, Fax : (714) 996-1138
- Sales : sales@viewzusa.com
- Specification subject to change without notice.