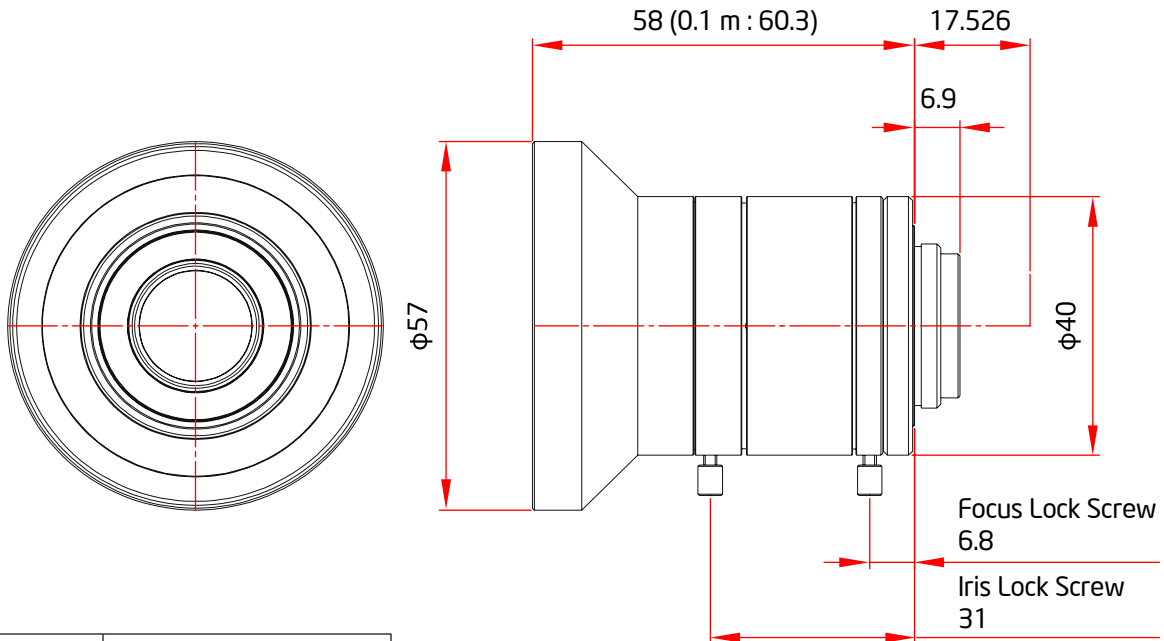


SPECIFICATIONS

Focal Length	8mm	Optical Back Focal Distance	11.1 mm (In Air)
Maximum Relative Aperture	1:1.4	Flange Back	17.526 mm
Iris	F1.4 - 22	Operation	Focus Manual
Angular Field of View	79.7° x 62.9° (D 92.6°)		Iris Manual
Image Format	12.8 x 9.6 mm (Ø16 mm)	Operation Temperature	-10 °C ~ 50 °C / 14 °F ~ 122 °F
Minimum Object Distance	0.1mm (From Front Vertex)	Mount	C-Mount (Adjustable Lens Position)
Optical Distortion	-8.2% at near -7.4% at far	Filter Size	55.0 mm P 0.75
TV Distortion	-2.3% at near -1.1% at far	Size, Weight	Ø 57 x 58(D) mm / 200g

DIMENSIONS

UNIT: mm



Wave (μm)	Flange Back (mm)
0.9	17.654
1.1	17.724
1.3	17.784
1.5	17.864
1.7	17.944