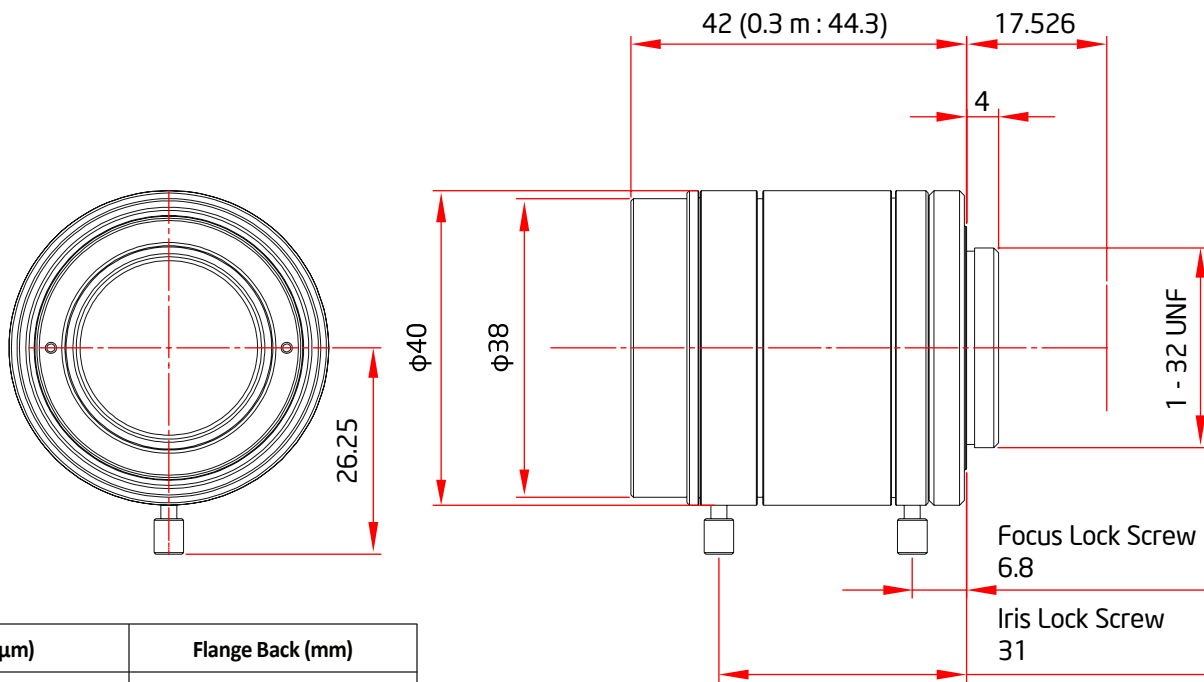


## SPECIFICATIONS

<b>Focal Length</b>	16mm	<b>Optical Back Focal Distance</b>	16.4 mm (In Air)
<b>Maximum Relative Aperture</b>	1:1.4	<b>Flange Back</b>	17.526 mm
<b>Iris</b>	F1.4 - 22	<b>Operation Focus</b>	Manual
<b>Angular Field of View</b>	44.5° x 33.8° (D 54.6°)	<b>Operation Iris</b>	Manual
<b>Image Format</b>	12.8 x 9.6 mm (Ø16 mm)	<b>Operation Temperature</b>	-10 °C ~ 50 °C / 14 °F ~ 122 °F
<b>Minimum Object Distance</b>	0.3mm ( From Front Vertex )	<b>Mount</b>	C-Mount (Adjustable Lens Position)
<b>Optical Distortion</b>	-3.3% at near -3.1% at far	<b>Filter Size</b>	35.5 mm P 0.5
<b>TV Distortion</b>	-0.9% at near -0.8% at far	<b>Size, Weight</b>	Ø 40 x 42(D) mm / 120g

## DIMENSIONS

UNIT: mm



Wave ( $\mu\text{m}$ )	Flange Back (mm)
0.9	17.669
1.1	17.753
1.3	17.839
1.5	17.933
1.7	18.039