



SPECIAL FEATURES

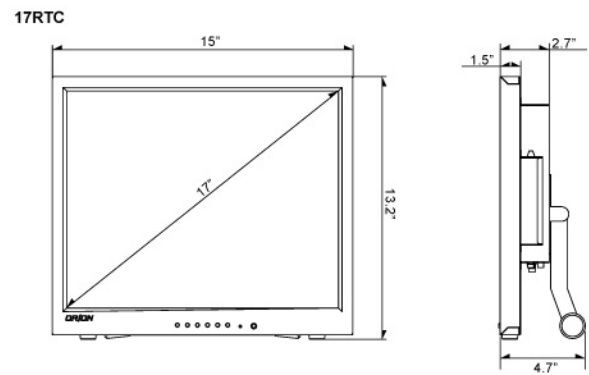
- Metal Chassis
- PIP / PBP / VOV Multi Display Function
- 3D Comb Filter / Deinterlace, Noise Reduction, LCD Protection Glass, Source Cycle Function, Trigger Source Switching, Multi-Language Support
- BNC Video 2 In / 2 Out, S-Video 1 In / 1 Out, VGA 1 In, Component 1 In, DVI-D 1 In, HDMI 1 In, Audio 2 In, PC Stereo 1 In
- Built-In Speakers
- Wall and Rack Mount Kit

SPECIFICATIONS

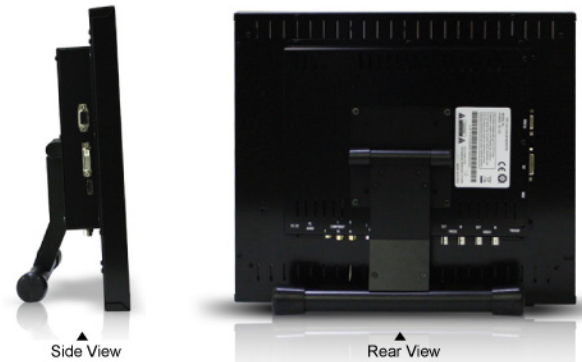
		17RTC
Display	Screen Size	17 Inch
	Max. Resolution	1024 x 1024 @ 75Hz
	Pixel Pitch	0.264 x 0.264mm
	Brightness	300cd/m ²
	Contrast Ratio	1000 : 1
	Aspect Ratio	5 : 4
	Viewing Angle (H/V)	160° / 160°
	Display Color	16.7 Million
	Response Time	< 5ms
	Video System	NTSC / PAL
Frequency (H)	50-64 KHz(H)	
Frequency (V)	55-75 KHz(V)	
Interface	Video In / Out (BNC Type)	2 / 2
	S-Video In / Out	1 / 1
	VGA In (15Pin D-Sub)	1
	Component	1
	DVI-D In / HDMI In	1 / 1
	Audio In (RCA Type)	2 (L+R)
	PC Stereo In	1
	Remote Control	Yes
Audio	Built-in Speakers	Yes (2W x 2)
	Multiple Display Function	PIP / PBP / VOV
Features	Filter Type	3D Comb Filter / Deinterlace
	Trigger Sensor	Yes (NO / NC)
	Noise Reduction Control (NR)	Yes
	Source Cycle Function	Yes
	LCD Protection Glass	Yes
Multi Language	English, Spanish, French, German, Italian	
Dimension	Outline Dimension	14.9" W x 13.22" H x 2.69" D
	Net. Weight	5.8Kg (12.78lbs)
Cabinet	Material / Color	Metal / Black
	Base Stand	Folding Leg
Warranty	Part/Labor	1year / 1year
	MTBF (Approx.)	50,000 Hours
Regulations		RoHS, TUV NRTL (=optional), CB, FCC (A), CE-Emc (LVD)
Power	Consumption: < On	< 40W
	Electrical Ratings	AC100 ~ 240V(50/60Hz) DC12V / 3.5A
Circumstance	Operating Temperature	10 ~ 40° C / 50 ~ 104° F
Mounts	VESA™ Mount Size	100 x 100mm (BS M4 x 8mm Screw)
	Wall	WB-5, WB-10, WB-30, WB-31
	Ceiling	CMK-01
	Rack	RMK-08

*Design and specifications are subject to change without notice

DIMENSIONS



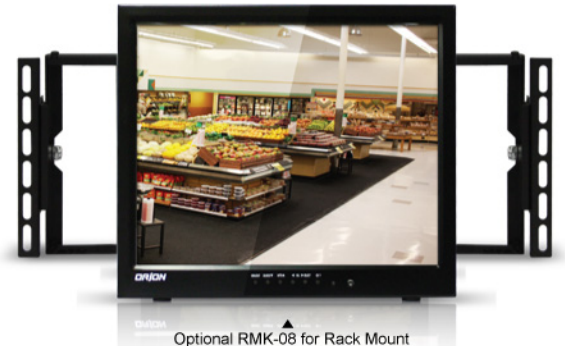
OTHER VIEW



Side View

Rear View

MOUNT OPTION



Optional RMK-08 for Rack Mount