

# 360° Indoor/ Outdoor Dome Cameras

3MPx and 6MPx Open Standards



## OVERVIEW

Ideally suited for a variety of applications including retail, commercial, law enforcement and education environments, the TruVision 360° network dome camera provides high-quality image capture that delivers a complete view of indoor or outdoor areas for exceptional security coverage.

Supporting 3MPx and 6MPx sensors, these cameras are PoE 802.3af powered making installation as easy as running a Category 5e cable to the camera location. Particularly effective in areas where overhead shots are necessary such as intersecting corridors, POS registers, counters and warehouses, the 360° camera can also be used in a wall-mount configuration to capture panoramic scenes. With an IR range of up to 10m (33 ft.), they can also be used in low-light environments and for 24/7 exterior surveillance.

The cameras feature multiple viewing modes and ePTZ streams with preset and patrol functions, and are easily integrated into Prism and TruVision Navigator VMS or into embedded TruVision NVRs.\*

## STANDARD FEATURES

- 3MPx and 6MPx image sensor available
- H.264/MJPEG video compression
- 360° view angle
- Multiple viewing modes
- Multiple ePTZ streams with preset and patrol functions\*
- Up to 10m (33 ft.) IR range
- 2-way audio, built-in mic and speaker
- Built-in SD/SDHC card slot (card not included)
- Ceiling and wall mount options
- Indoor and outdoor versions
- Operating temperature range -22°F~140°F (-30°C~60°C)

### 3MPx

- 1/3" progressive scan CMOS
- Streaming up to 2048 x 1536
- 120dB WDR

### 6MPx

- 1/1.8" progressive scan CMOS
- Streaming up to 3072 x 2048

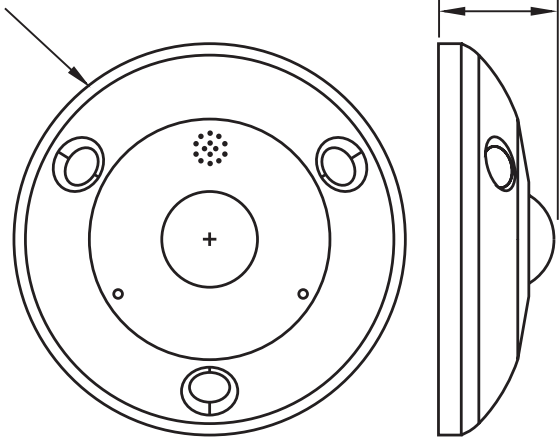
*\*With multiple streams, each individual stream consumes a separate channel on TruVision NVRs*

## Dimensional Diagrams

### Outdoor Camera

Ø6.57 in.  
Ø167 mm

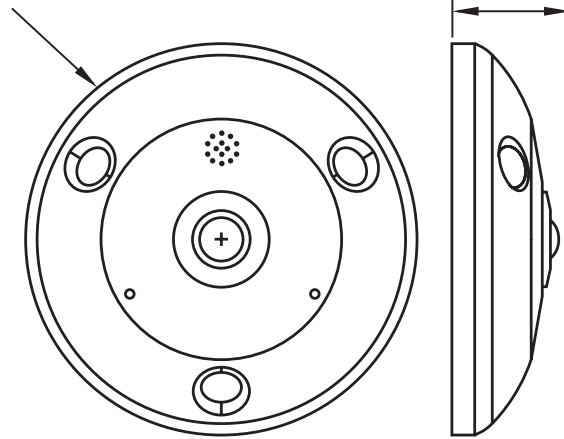
1.77 in.  
(45 mm)



### Indoor Camera

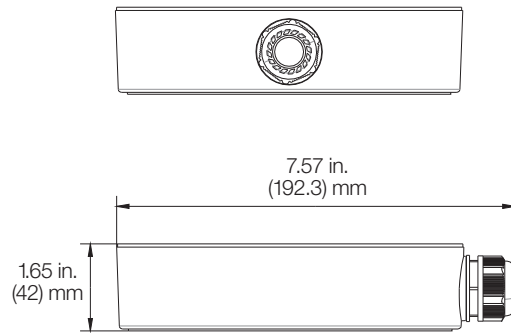
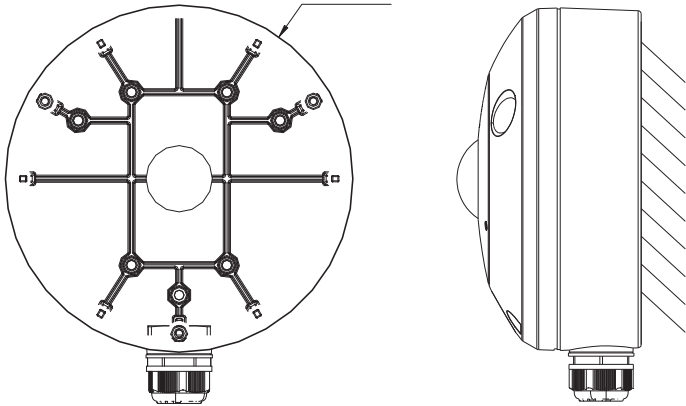
Ø6.57 in.  
Ø167 mm

1.77 in.  
(45 mm)



### TVF-BBM

Ø6.59 in.  
Ø167.5 mm

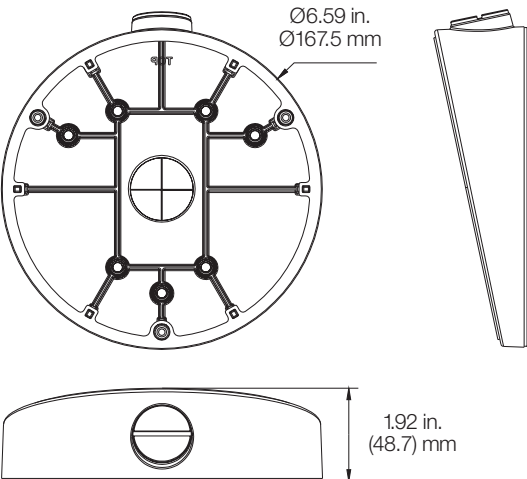


7.57 in.  
(192.3 mm)

1.65 in.  
(42 mm)

### TVF-WBM

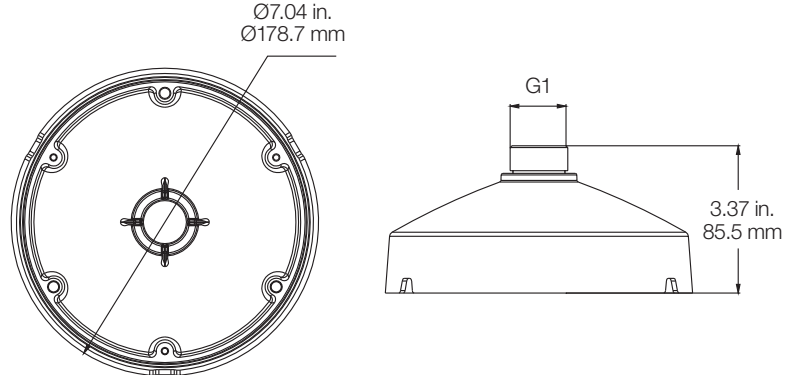
Ø6.59 in.  
Ø167.5 mm



1.92 in.  
(48.7 mm)

### TVF-CBM

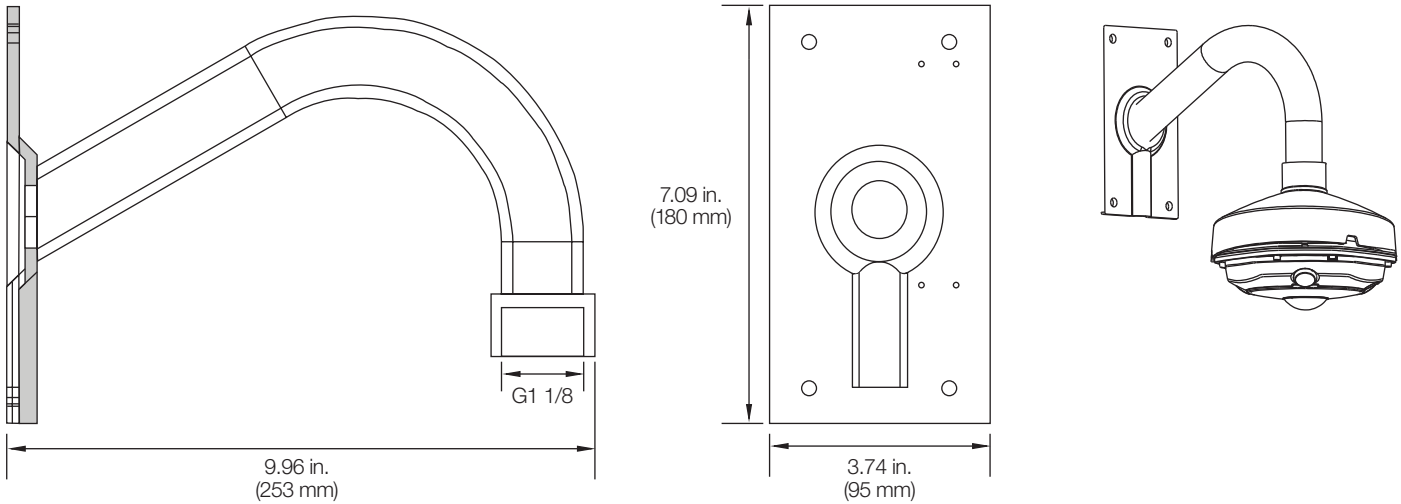
Ø7.04 in.  
Ø178.7 mm



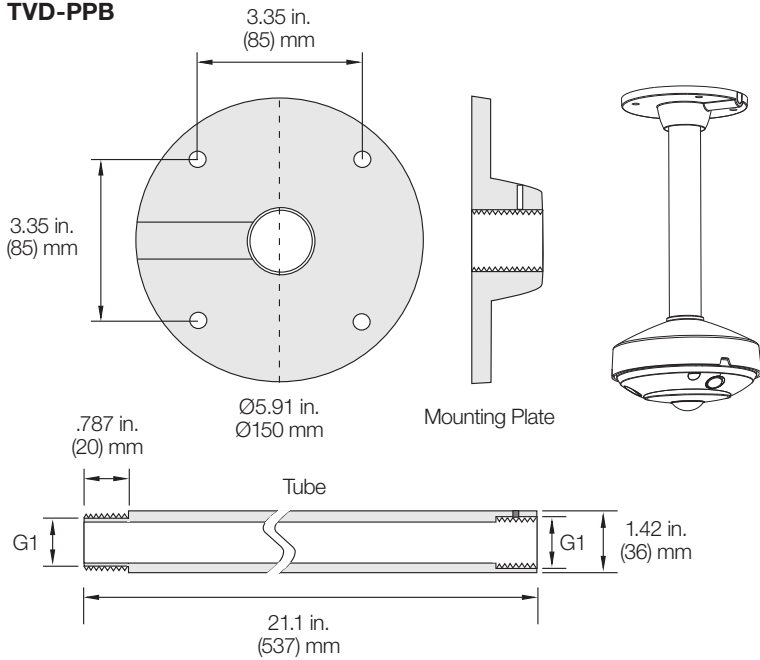
G1

3.37 in.  
85.5 mm

## TVD-SNB



## TVD-PPB



## Bracket Specifications

SKU	Dimensions	Weight
<b>TVD-SNB</b>	9.96 x 3.74 x 7.09 in. (253 x 95 x 180 mm)	1.1 lbs. (490g)
<b>TVD-PPB</b>	Ø 5.91 x 21.14 in. (Ø 150 x 537 mm)	2.58 lbs. (1169g)
<b>TVF-BBM</b>	Ø 6.59 x 1.65 in. (Ø 167.5 x 42 mm)	.75 lbs. (337.5g)
<b>TVF-WBM</b>	Ø 6.59 x 1.92 in. (Ø 167.5 x 48.7 mm)	.67 lbs. (304.5g)
<b>TVF-CBM</b>	Ø 7.04 x 3.37 in. (Ø 178.7 x 85.5 mm)	1.2 lbs. (542g)

## Pipe Threading Information

Pipe thread size	Threads (in.)	Pitch (mm)	Thread major diameter		Corresponding pipe				Tapping drill size (mm) BSPF (g)
			(mm)	(in.)	DN	OD (mm)	OD (in.)	Thickness (mm)	
G1	11	2.309	33.249	1.309	25	33.7	1.33	3.2	30.75

The hole of back box and wedge box is G 3/4

# 360° Indoor/Outdoor Dome Cameras

3MPx and 6MPx Open Standards

## Specifications

SKU	TVF-3101 (NTSC) TVF-1101 (PAL)	TVF-3102 (NTSC) TVF-1102 (PAL)	TVF-3103 (NTSC) TVF-1103 (PAL)	TVF-3104 (NTSC) TVF-1104 (PAL)
<b>Description</b>	3MPx, Indoor	3MPx, Outdoor	6MPx, Indoor	6MPx, Outdoor
<b>Sensor</b>	1/3" Progressive Scan CMOS		1/1.8" Progressive Scan CMOS	
<b>Lens</b>	1.19mm @ f2.0		1.27mm @ f2.8	
<b>Minimum Illumination</b>	0.1 lux @ f1.2, AGC ON 0.28 @ f2.0 AGC ON, 0 lux with IR		0.05 lux @ f1.2, AGC ON 0.3 lux @ f2.8 AGC ON, 0 lux with IR	
<b>Day/Night</b>	ICR, True D/N			
<b>Shutter Speed</b>	50 Hz: 1/25s ~ 1/100,000s 60 Hz: 1/30s ~ 1/100,000s			
<b>Max. Image Resolution</b>	2048 x 1536		3072 x 2048	
<b>Image</b>	High-frame mode supports: 50Hz: 1 x fisheye (2048 x 1536, 25fps) or (1536 x 1536, 25fps) or 4 x PTZ (800 x 600, 25fps) 60Hz: 1 x fisheye (2048 x 1536, 25fps) or (1536 x 1536, 30fps) or 4 x PTZ (800 x 600, 30fps) Multi-channel mode supports: 50Hz: 1 x fisheye (1536 x 1536, 20fps) and 1 x panoramic (1600 x 1200, 20fps) and 3 x PTZ (800 x 600, 20fps) 60Hz: 1 x fisheye (1536 x 1536, 20fps) and 1 x panoramic (1600 x 1200, 20fps) and 3 x PTZ (800 x 600, 20fps)		High-frame mode supports: 50Hz: 1 x fisheye (3072 x 2048, 25fps) or (2048 x 2048, 25fps) or 4 x PTZ (1024 x 768, 25fps) 60Hz: 1 x fisheye (3072 x 2048, 25fps) or (2048 x 2048, 30fps) or 4 x PTZ (1024 x 768, 30fps) Multi-channel mode supports: 50Hz: 1 x fisheye (1280 x 1280, 12.5fps) and 1 x panoramic (2048 x 1536, 12.5fps) and 3 x PTZ (1024 x 768, 12.5fps) 60Hz: 1 x fisheye (1280 x 1280, 15fps) and 1 x panoramic (2048 x 1536, 15fps) and 3 x PTZ (1024 x 768, 15fps)	
<b>IR Range</b>	10m (33 ft.) Configurable IR on/off			
<b>Video Compression</b>	Video compression H.264 / MJPEG Multiple streams: surrounding, Panoramic, 4 x PTZ*			
<b>Bit Rate</b>	128Kbps~16Mbps			
<b>Wide Dynamic Range</b>	120dB WDR		DWDR	
<b>Digital Noise Reduction</b>	3D-NR			
<b>Image Settings</b>	Saturation, brightness, contrast, sharpness adjustable through client software or Web browser			
<b>Features</b>	Network storage NAS, Alarm trigger motion detection, tampering alarm, storage exception Protocols: TCP/IP, HTTP, DHCP, DNS, DDNS, ezDDNS, RTP, RTSP, PPPoE, SMTP, NTP, SNMP, HTTPS, FTP, 802.1x, Qos, IPv6 Interoperability Onvif, PSIA, CGI Security User Authentication, reset button, watermark, Multicast			
<b>Interface</b>	Communication interface 1 RJ45 10 M / 100 M Ethernet interface, DC Power interface, RS485 interface			
<b>Power Source</b>	PoE (802.3 af) /12VDC ± 10%			
<b>Operating Temperature</b>	-22°F~-140°F (-30°C~60°C)			
<b>Environmental Rating</b>	NA	IP66	NA	IP66
<b>Audio</b>	Bi-directional , built-in speaker and mic			
<b>Impact Rating</b>	NA	IK10	NA	IK10
<b>Storage</b>	Built-in SD/SDHC card slot (card not included)			
<b>Regulatory Compliance</b>	FCC, CE, UL, WEEE, RoHS, REACH			

\*With multiple streams, each individual stream consumes a separate channel on TruVision NVRs.

## Ordering Information

NTSC	
<b>TVF-3101</b>	TruVision® 360° Dome, 3MPx, WDR, 1.19mm Fisheye Lens, True D/N, 10m IR, 2-Way Audio (built-in mic & speaker), SD/SHDC Slot, PoE (802.3af) /12VDC
<b>TVF-3102</b>	TruVision 360° Dome, 3MPx, WDR, 1.19mm Fisheye Lens, True D/N, 10m IR, 2-Way Audio (built-in mic & speaker), SD/SHDC Slot, POE (802.3af) /12VDC, IP66, IK10
<b>TVF-3103</b>	TruVision 360° Dome, 6MPx, DWDR, 1.27mm Fisheye Lens, True D/N, 10m IR, 2-Way Audio (built-in mic & speaker), SD/SHDC Slot, POE (802.3af) /12VDC
<b>TVF-3104</b>	TruVision 360° Dome, 6MPx, DWDR, 1.27mm Fisheye Lens, True D/N, 10m IR, 2-Way Audio (built-in mic & speaker), SD/SHDC Slot, POE (802.3af) /12VDC, IP66, IK10
PAL	
<b>TVF-1101</b>	TruVision 360° Dome, 3MPx, WDR, 1.19mm Fisheye Lens, True D/N, 10m IR, 2-Way Audio (built-in mic & speaker), SD/SHDC Slot, POE (802.3af) /12VDC
<b>TVF-1102</b>	TruVision 360° Dome, 3MPx, WDR, 1.19mm Fisheye Lens, True D/N, 10m IR, 2-Way Audio (built-in mic & speaker), SD/SHDC Slot, POE (802.3af) /12VDC, IP66, IK10
<b>TVF-1103</b>	TruVision 360° Dome, 6MPx, DWDR, 1.27mm Fisheye Lens, True D/N, 10m IR, 2-Way Audio (built-in mic & speaker), SD/SHDC Slot, POE (802.3af) /12VDC
<b>TVF-1104</b>	TruVision 360° Dome, 6MPx, DWDR, 1.27mm Fisheye Lens, True D/N, 10m IR, 2-Way Audio (built-in mic & speaker), SD/SHDC Slot, POE (802.3af) /12VDC, IP66, IK10
Accessories	
<b>TVF-BBM</b>	TruVision 360° Dome Round Back Box, Conduit Ports, Gang Box Compatible, Metal, Indoor/Outdoor
<b>TVF-WBM</b>	TruVision 360° Dome Round Angled Back Box, Conduit Ports, Gang Box Compatible, Metal, Indoor/Outdoor
<b>TVF-CBM</b>	TruVision 360° Dome Cup Base (Use w/TVD-PPB for Pendant Mount or TVD-SNB for Wall Mount)



interlogix.com

Specifications subject to change without notice.

© 2015 United Technologies Corporation.  
All rights reserved.

All trademarks are the property of their respective owners.  
Interlogix is part of UTC Building & Industrial Systems,  
a unit of United Technologies Corporation.

409-3864 2015/05 (81998)