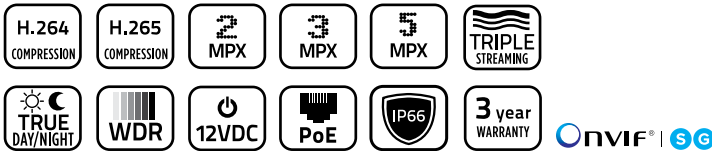


H.265 IP Bullet Cameras

Series 4 IP Open Standards Cameras



OVERVIEW

The TruVision H.265 IP Megapixel Bullet cameras by Interlogix bring state-of-the-art, high-definition pictures to the mass video surveillance market and leverages the latest H.265 video compression technology. With camera resolutions of 2, 3 or 5 megapixel, these cameras provide the flexibility for a wide variety of applications. Equipped with advanced technology and signal processing capability, these cameras also effectively capture video under challenging conditions.

The H.265 IP Megapixel Bullet cameras can utilize H.265 or H.264 compression with triple-streaming capability to provide even greater flexibility for managing bandwidth and storage usage. Memory card recording also protects data in the event of network disruptions.

These cameras go above and beyond standard motion detection with enhanced alarm capabilities, including cross line, intrusion, defocus and face detection features. A Region of Interest function ensures specific portions of an image are given priority during instances of high network traffic or network degradation. Using the motorized varifocal lens technology, users can remotely adjust the varifocal lens length and focus the camera with the touch of a button. Select models also feature Super Low Light technology, which provides a clear image in low lighting conditions. The H.265 IP Megapixel Bullet cameras are also user-configurable to best suit the installation environment.

STANDARD FEATURES

Video

- 2MPx, 3MPx or 5MPx resolution options
- H.265 and/or H.264 compression with triple-streaming capability
- Long zoom and IR range
- Motorized varifocal lens technology that provides remote autofocus
- PSIA and ONVIF Profile G and S open communications standards compatibility

Video Enhancement

- True Day/Night functionality and infrared illuminators
- Up to 120 dB of Wide Dynamic Range (WDR) performance for contrasting lighting environments
- ROI (Region of Interest), Hallway View, Mirror, De-Fog and Electronic Image Stabilization

Advanced Alarm Intelligence

- Integrated Motion Detection and Privacy Masking
- Face detection, audio exception detection, intrusion detection, defocus detection, scene change detection, cross line detection, advanced motion detection, region entrance detection, region exit detection, object removal, object left behind, object counting

Edge Recording

- Edge recording on up to 128GB micro SD/SDXC card for video playback (Card not included)

Installation and Environment

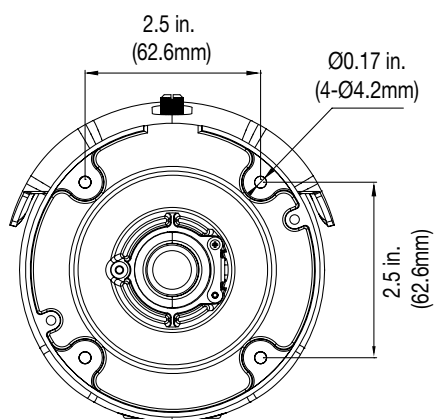
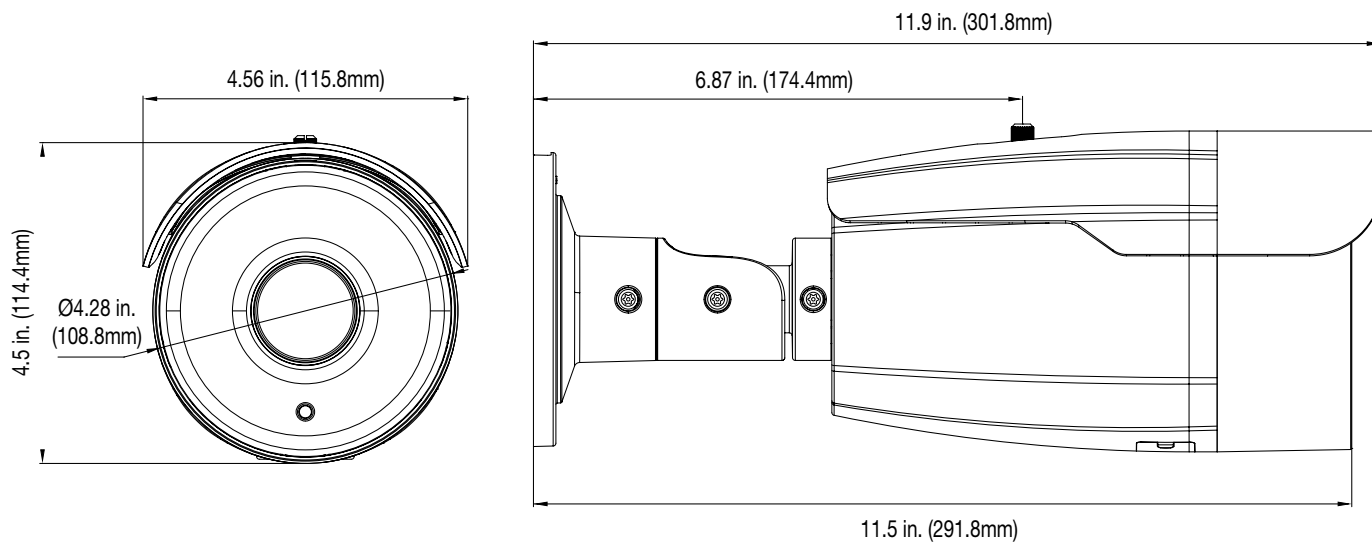
- IP66 Environmental rating
- TruVision Device Manager program with fast and easy access to newly added system devices

Warranty






- 3-year warranty

Dimensional Diagrams

TVB-5401, TVBD-5402, TVB-5403, TVB-5404, TVB-5405 Bullet Camera



Specifications

	PART NO.	TVB-5401	TVB-5402	TVB-5403	TVB-5404	TVB-5405	
							
Camera	Sensor	1/1.8 Progressive Scan CMOS		1/2.8 Progressive Scan CMOS		1/1.8 Progressive Scan CMOS	
	Resolution	2MPx		3MPx		5MPx	
	Day/Night	IR cut filter					
	IP Compression	H.265 / H.264 / MJPEG					
	Multiple Streaming	Triple Stream					
	Maximum Resolution	1920 x 1080		2048 x 1536		2592 x 1944	
	Maximum Real-Time Resolution (@fps)	50Hz: 50 fps (1920 x 1080, 1280 x 960, 1280 x 720) 60Hz: 60 fps (1920 x 1080, 1280 x 960, 1280 x 720)		50Hz: 25 fps (2048 x 1536), 50 fps (1920 x 1080, 1280 x 960, 1280 x 720); 60Hz: 30 fps @ 2048 x 1536, 60 fps (1920 x 1080, 1280 x 960, 1280 x 720)		50Hz: 25 fps (2592 x 1944, 2560 x 1920, 2048 x 1536), 50 fps (1920 x 1080, 1280 x 960, 1280 x 720) 60 Hz: 30 fps (2592 x 1944, 2560 x 1920, 2048 x 1536), 60 fps (1920 x 1080, 1280 x 960, 1280 x 720)	
	Video Bit Rate	128 Kbps - 16 Mbps					
	Wide Dynamic Range	WDR (120 dB)					
	Digital Noise Reduction	3DNR					
	Minimum Illumination	Color: 0.002 lux @ f1.2 (AGC On), 0 lux IR On		Color: 0.008 lux @ f1.2 (AGC On), 0 lux IR On		Color: 0.01 lux @ f1.2 (AGC On), 0 lux IR On	
	Digital S/N Ratio	52 dB (AGC Off)					
	Auto Exposure (shutter)	50Hz: 1/3s~1/100,000s; 60Hz: 1/3s~1/100,000s					
	Lens	2.8mm~12mm @ f1.2	8mm~32mm @ f1.2		2.8mm~12mm @ f1.2	8mm~32mm @ f1.2	2.8mm~12mm @ f1.2
	Focus	Varifocal Auto Focus Motorized Lens					
IR Range	164 ft. (50m)	262 ft. (80m)		164 ft. (50m)	262 ft. (80m)	164 ft. (50m)	
Video Output	Composite (NTSC/PAL)						
Video Connector	1 - 75 Ω / BNC						
Network	Ethernet Port	1 RJ45 10/100/1000Mbps Auto-negotiable					
	Network Protocols	TCP/IP, HTTP, DHCP, DNS, DDNS, ezDDNS, RTP, RTSP, PPPoE, SMTP, NTP, SNMP, HTTPS, FTP, 802.1x, Qos, IPv6, ONVIF, PSIA, CGI					
Local Storage	Media	Micro SD/SDHC/SDXC slot					
	Capacity	Up to 128GB (card not included)					
Audio	Input	Audio in / Mic in					
	Output	Audio out					
	Audio bit rate (protocol)	G.711ulaw, G.711alaw, MP2L2, G.726, PCM					
Camera Alarms	Intelligence	Face Detection, Audio Exception Detection, Intrusion Detection, De-focus Detection, Region of Interest (ROI), Electronic Image Stabilization (EIS), Defog, Scene Change Detection, Cross Line Detection, Advanced Motion Detection, Region Entrance Detection, Region Exit Detection, Object Removal, Object Left Behind, Object Counting					
	Input/Output	1 input / 1 output					
Interoperability	Standard	ONVIF Profile (G,S), PSIA, CGI					
Electrical/Mechanical	Voltage Input	12VDC, PoE (802.3af / 802.3at with heater)					
	Power Consumption	13W					
	Current	1083 mA					
	Auxiliary Power	12VDC/50 mA @ 12VDC Line level					
	Dimensions	Ø4.56 x 11.5 in. (Ø115.8 x 291.8)					
	Weight	3.53 lbs. (1600g)					
Environmental	Storage Temperature	-40°F~-140°F (-40°C~60°C)					
	Operating Temperature	-40°F~-140°F (-40°C~60°C) with heater					
	Environmental Rating	IP66					
	Vandal Rating	N/A					
Regulation	Compliance	FCC, CE, UL, WEEE, RoHS, REACH					

H.265 IP Bullet Cameras

Series 4 IP Open Standards Cameras



Ordering Information

TVB-5401	TruVision® 2MPx Low Light IP Bullet Camera, H.265/H.264, 2.0MPx, 2.8-12mm Motorized Lens, Super Low Light, WDR, True D/N, 50m IR, Audio, Alarm, BNC, Micro SD/SHDC Slot, Intelligence, PoE (802.3-af)/12VDC, Heater, IP66
TVB-5402	TruVision 2MPx Low Light IP Bullet Camera, H.265/H.264, 2.0MPx, 8-32mm Motorized Lens, Super Low Light, WDR, True D/N, 80m IR, Audio, Alarm, BNC, Micro SD/SHDC Slot, Intelligence, PoE (802.3-af)/12VDC, Heater, IP66
TVB-5403	TruVision 3MPx Motorized Lens IP Bullet Camera, H.265/H.264, 3.0MPx, 2.8-12mm Motorized Lens, WDR, True D/N, 50m IR, Audio, Alarm, BNC, Micro SD/SHDC Slot, Intelligence, PoE (802.3-af)/12VDC, Heater, IP66
TVB-5404	TruVision 3MPx Motorized Lens IP Bullet Camera, H.265/H.264, 3.0MPx, 8-32mm Motorized Lens, WDR, True D/N, 80m IR, Audio, Alarm, BNC, Micro SD/SHDC Slot, Intelligence, PoE (802.3-af)/12VDC, Heater, IP66
TVB-5405	TruVision 5MPx Motorized Lens IP Bullet Camera, H.265/H.264, 5.0MPx, 2.8-12mm Motorized Lens, WDR, True D/N, 50m IR, Audio, Alarm, BNC, Micro SD/SHDC Slot, Intelligence, PoE (802.3-af)/12VDC, Heater, IP66



interlogix.com

Specifications subject to change without notice.

© 2016 United Technologies Corporation.

All rights reserved.

Interlogix is part of UTC Climate, Controls & Security,
a unit of United Technologies Corporation.

2016/12 (GSP-2042)