

# IR Miniature Camera **CNB-CN258IR/CP258IR**

## **CNB-CN258IR/CP258IR**

1/3 inch SONY Super HAD CCD  
270K Pixels (380 TV Lines)  
2.5mm Fixed Lens  
AGC, Auto White Balance  
Built in Audio  
IR LED and CDS Sensor  
High Sensitivity 0.00 Lux (With IR LED On)  
Visibility Range : 5 meter (940nm IR LED)



## **CNB-SN258IR/SP258IR**

1/3 inch SONY Super HAD CCD  
270K Pixels (380 TV Lines)  
3.8mm Fixed Lens  
AGC, Auto White Balance  
Built in Audio  
IR LED and CDS Sensor  
High Sensitivity 0.00 Lux (With IR LED On)  
Visibility Range : 5 meter (940nm IR LED)

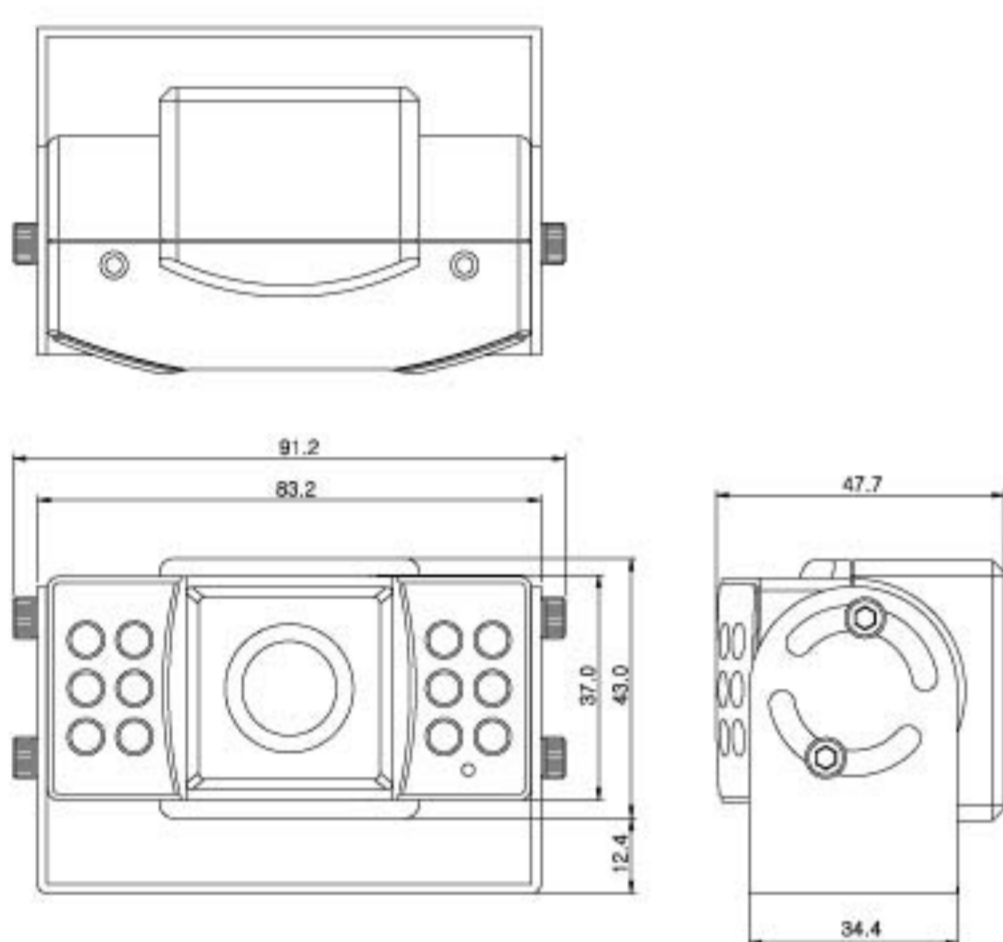


## IR Miniature Camera

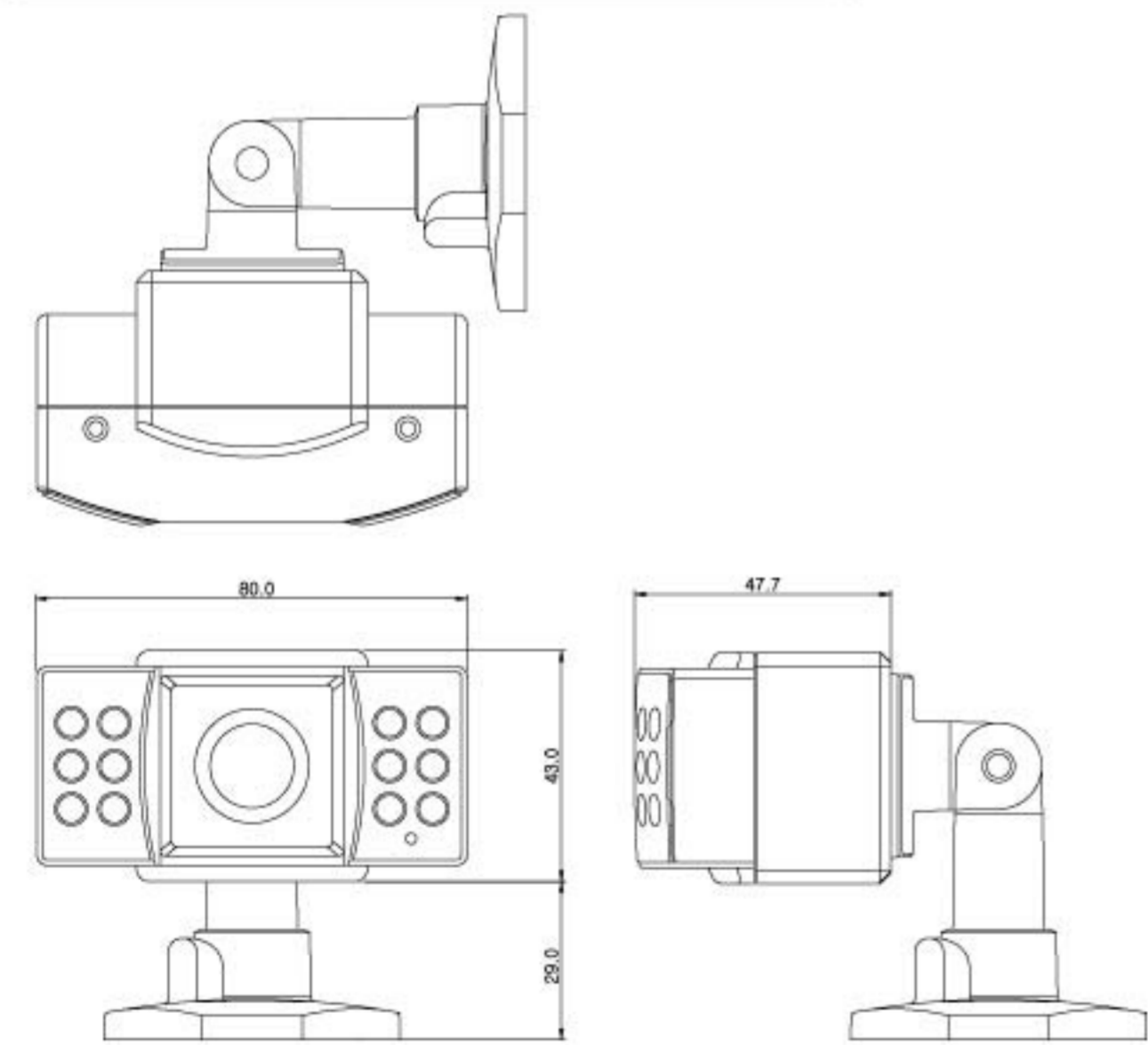
# CNB-CN258IR/CP258IR CNB-SN258IR/SP258IR

### ■ DIMENSIONS

#### ■ CNB-CN258IR/CP258IR



#### ■ CNB-SN258IR/SP258IR



### ■ SPECIFICATIONS

Model	CNB-CN258IR/SN258IR	CNB-CP258IR/SP258IR
Signal System	NTSC : 525 Lines	PAL : 625 lines
Scanning System	2:1 Interlace	
Scanning Frequency (H)	15.734 KHz	15.625 KHz
Scanning Frequency (V)	59.94 Hz	50 Hz
Sync. System	Internal	
Image Sensor	1/3 inch SONY Super HAD CCD	
Total/Effective Pixels No.	270K/250K	320K/290K
Lens	Fixed Lens(f=2.5mm/3.8mm)	
Focus	Manual	
S/N Ratio	More than 48dB(AGC Off)	
Resolution	Horizontal : 380 TV Lines	
Video Output Level	1.0 Vp-p (75 Ohms, Composite)	
Sensitivity	Day(0.1 Lux), Night(0.00 Lux, IR LED On)	
Electronic Shutter	1/60 ~ 1/100,000 Sec	1/50 ~ 1/100,000 Sec
IR LED and CDS Sensor	940nm LED 11 EA, CDS Sensor 1EA	
LED Light Distance	5m	
Audio	Built in	
White Balance	Auto	
AGC	On / Off	
BLC	On / Off	
Supplied Voltage	DC 9V ~ 15V (Recommendation DC12±0.5V)	
Power Consumption	Less than 150mA	

The designs and specifications of the above items are likely to be changed without any previous notices.



**CNB Technology Inc.**

#501, Kolon Techno Valley, 60-4 Gasan-Dong,  
Geumcheon-Gu, Seoul, 153-770, Seoul, Korea

Tel : 82-2-2109-1419

Fax : 82-2-2109-1414

E-Mail : [cnb@cnbttec.com](mailto:cnb@cnbttec.com) Website: [www.cnbttec.com](http://www.cnbttec.com)

Distributed by