



# Door Openers

## 177 & 178 Series

- Fits left and right hand doors
- Easy installation
- Rugged, heavy duty construction
- For use in wood and metal jambs

The Catalog 177 and 178 mortise type door openers are dependable long service devices, providing the security and convenience of remote control door-lock operation. These units flush mount in place of the regular door strike plate and are ideal for narrow door stiles.

With the non-reverse acting units, the door remains locked until the opener is electrically actuated by a remote contact device. For reverse acting units, the door remains unlocked (with current off). When energized through a timer or manual switch, the unit keeps the door locked.

For AC operation, use with either an 88-50, 596, or 592 Transformer. See below table and Transformer Catalog Pages 11-2 and 11-5.

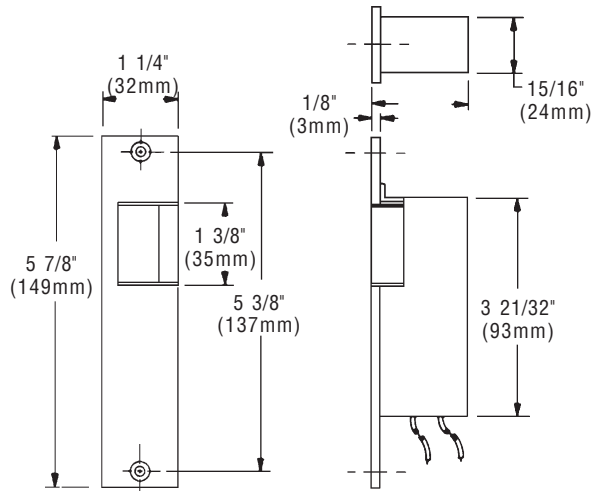
For use in apartments, offices, banks, industrial buildings, schools, and institutions. Use in door interlocking and control systems with timed or manual operation.

### Continuous Duty Operation

The 177-RG5 and 178-RG5 are suitable for continuous duty operation. However, when operated from 24V AC, they must be connected through the Catalog No. SR-1 Silencing Assembly. They may also be operated directly from 24V DC.

D-04

# PUSH BUTTONS & CONTACT DEVICES



Cat. No.	Description	Voltage	Amps	Transformer	Finish
177-AF	Non-reverse acting	4 - 6V DC	1.3 - 2.7	—	Painted brass faceplate with chrome nosing
		8 - 16V AC		12V tap of 88-50 or 596	
177-G5	Non-reverse acting	24V AC	1.4	24V tap of 88-50 or 599	
177-G1	Non-reverse acting	24V DC	.19	—	
177-RG5*	Reverse acting Continuous duty	24V DC	.19	24V tap of 88-50 or 592	
178-AF	Non-reverse acting	4 - 6V DC	1.3 - 2.7	—	Satin chrome faceplate and nosing
		8 - 16V AC		12V tap of 88-50 or 596	
178-G5	Non-reverse acting	24V AC	1.4	24V tap of 88-50 or 599	
178-G1	Non-reverse acting	24V DC	.30	—	
178-RG5*	Reverse acting Continuous duty	24V DC	.19	24V tap of 88-50 or 592	

\*SR-1 Silencing Assembly (rectifier) required with AC transformers on reverse action openers. 1 1/4" (32mm) square.