



Adaptabel® AC Vibrating Bells

PLC Compatible

340 Series

FEATURES

- > Universal Adaptaplate mounts directly on surface or electrical box
- > Weatherproof by adding appropriate back box
- > Completely assembled, all hardware supplied
- > Shockproof die cast housing
- > Dustproof

AGENCY APPROVALS

- > UL 464 Listed
- > FM Listed
- > CSFM Certified

SPECIFICATIONS

- > Self-compensating solenoid plunger
- > Rated 400 hours at 50% duty cycle
- > Corrosion resistant heat flowed epoxy finish

Distributed by:
Alpha Communications®

AC vibrating bells produce a long continuous ringing sound. The striker continues to strike the gong in rapid-fire action as long as current is applied.

Universal Adaptaplate® mounts directly on surface or fits any single-gang box, 3 1/4" (83 mm), 3 1/2" (89 mm), or 4" (102 mm) octagon box, or any plaster cover with mounting holes on 2 3/4" (70 mm) centers. 6" and 10" bells also mount on 4" (102 mm) square boxes.

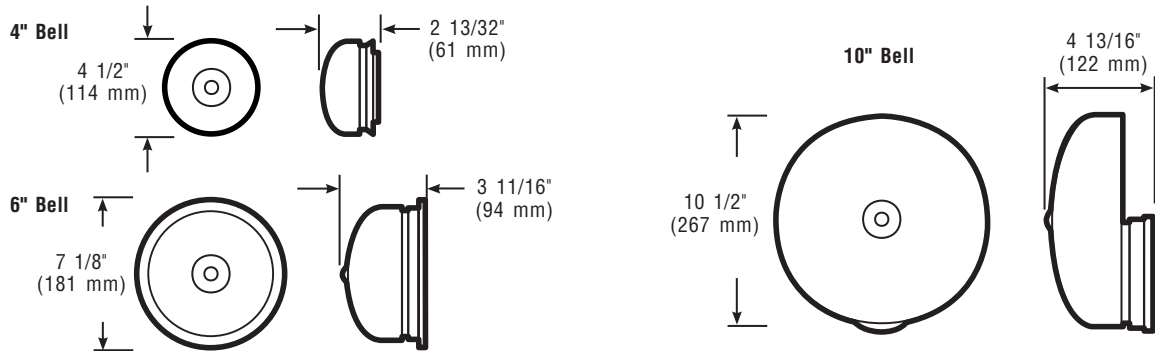
Specified for timing, scheduling, paging and general alarm applications. 4" (102 mm) sizes recommended for quiet office areas. 6" (152 mm) sizes for moderate noise level areas such as general factory areas. 10" (254 mm) sizes for loud areas such as heavy machine shops.

Available with full cast grids and protective grilles. May be weatherproofed with the addition of a weatherproof box. See AdaptaBel Accessories on page 5-10 for available options.

D-04



TECHNICAL INFORMATION



Cat No. *	Volts	Amps	VA	dB at 1m / 10 ft.	DC Coil Res (Ohms)
340-4E5	12	0.620	7.4	94 / 88	13
340-4FM	16	0.460	7.4		
340-4G5	24	0.310	7.4		
340-4N5	120	0.062	7.4		
340-4R5	240	0.031	7.4		
340-6E5	12	0.700	8.4	98 / 92	8
340-6FM	16	0.500	8.0		
340-6G5	24	0.350	8.4		
340-6N5	120	0.070	8.4		
340-6R5	240	0.035	8.4		
340-10G5	24	0.350	8.4	102 / 96	30
340-10N5	120	0.070	8.4		700
340-10R5	240	0.350	8.4		2650

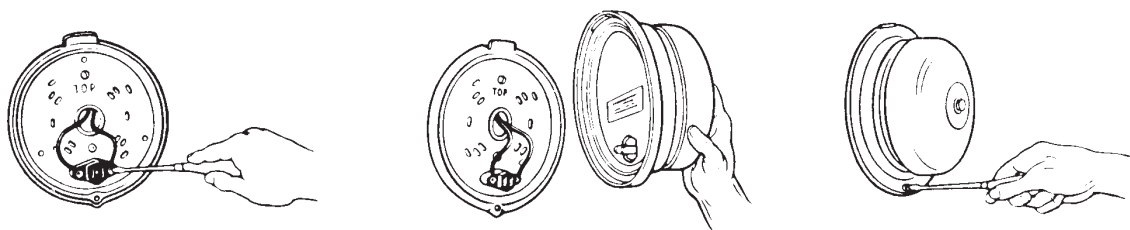
*Gong Size in inches denoted by suffix in catalog number.

SIGNAL INPUT LOAD CHARACTERISTICS **

Light Source Cat. No.	Operating Voltage	Max. off state leakage current (mA)	Continuous on Current (mA)	Surge (inrush/duration) Amps/milliseconds
340-4N5	120V AC 60 Hz	25	62	0.095/4
340-6N5	120V AC 60 Hz	25	70	0.15/4
340-10N5	120V AC 60 Hz	25	70	0.15/4

**This device is PLC compatible and may be operated by PLCs with output characteristics that match the input load requirements of this signal.

EASY INSTALLATION USING THE SUPPLIED ADAPTAPLATE



1. Pull wires through center hole and connect to binding post.

2. Slip Adaptaplate onto sturdy hanger and push home.

3. Tighten front screw to complete installation. (Two screws on 4 inch bells)