

T710xQxTx Series Surveillance Kits DVR and Camera Kits

DVR

- Up-the-Coax Control of Hikvision TurboHD Cameras
- H.264+ for Reduced Bandwidth + Increased Storage
- HDMI (2K, 4K), VGA (1080p) Output
- One-Key Recording Configurable
- Holiday Recording
- Up to 4/8-Ch Synchronous Playback at 1080p
- Customize, Search, and Play Back by Tags
- Remote Support: Smart Devices via Free Mobile App (iVMS-4500) or PC via Free Client SW (iVMS-4200)

CAMERAS

- 2 MP High-Performance CMOS Sensor
- Analog HD Output, Up to 1080p Resolution
- DVR Supports Non-Real Time Frame Rate
- True Day/Night
- OSD Menu, DNR, Smart IR
- IR, 66 ft (20 m) Range
- IP66 Weatherproof
- Vandal-Resistant Dome (DS-2CE56D7T-VPIT)
- Up-the-Coax (HIKVISION-C)

Each Hikvision T710xQxTx Surveillance Kit features a Digital Video Recorder (DVR) bundled with turret or dome TurboHD cameras.

Kits are available with four channel (includes four cameras) or eight channel (includes six cameras) DVRs. Each DVR features 1080p output. The cameras' 2 MP progressive scan CMOS sensors offer resolutions up to 1920 x 1080. Includes 1 TB or 2 TB HDD.



DS-7104HQHI-F1/NB-1TB
(included in T7104Q1TA and T7104Q1TB kits)
DS-7108HQHI-F1/NB-2TB
(included in T7108Q2TA and T7108Q2TB kits)





Available Models:

- T7104Q1TA:** (1) DS-7104HQHI-F1/NB DVR w/1 TB HDD
(4) DS-2CE56D0T-IR Turret Cameras
- T7108Q2TA:** (1) DS-7108HQHI-F1/NB DVR w/2 TB HDD
(6) DS-2CE56D0T-IR Turret Cameras
- T7104Q1TB:** (1) DS-7104HQHI-F1/NB DVR w/1 TB HDD
(4) DS-2CE56D7T-VPIT Dome Cameras
- T7108Q2TB:** (1) DS-7108HQHI-F1/NB DVR w/2 TB HDD
(6) DS-2CE56D7T-VPIT Dome Cameras



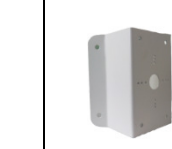



CAMERAS				
	T7104Q1TA	T7104Q2TA	T7104Q1TB	T7104Q2TB
	DS-2CE56D0T-IR		DS-2CE56D7T-VPIT	
Camera				
Camera Type	HD1080p IR turret camera		HD1080p WDR vandal-resistant EXIR dome camera	
Image Sensor	2 MP CMOS image sensor			
Signal System	PAL/NTSC			
Effective Pixels	1920 x 1080		1928 x 1088	
Minimum Illumination	0.028 lux @ f/2.0, AGC on, 0 lux with IR		0.034 lux @ f/2.0, AGC on, 0 lux with IR	
Shutter Speed	1/25 (1/30)s to 1/50,000s			
Lens	2.8 mm Angle of view: 103°			
Lens Mount	M12			
Day/Night	ICR			
Angle Adjustment	Pan: 0° to 360°, tilt: 0° to 75°, rotate: 0° to 360°		Pan: 0° to 340°; tilt: 0° to 75°; rotate: 0° to 355°	
Synchronization	Internal synchronization			
Video Frame Rate	12 fps with included DVR			
HD Video Output	1 analog HD output			
S/N Ratio	> 62 dB			
Menu				
AGC	Supported			
UTC OSD	Supported			
D/N Mode	Color/BW/Smart			
White Balance	ATW/MWB			
BLC	Supported			
Functions	Wide Dynamic Range, digital noise reduction, mirror, Smart IR			
General				
Operating Conditions	-40° C to 60° C (-40° F to 140° F), humidity 90% or less (non-condensing)			
Power Supply	12 VDC ±15%			
Power Consumption	Maximum 4 W		Maximum 5 W	
Protection Level	IP66			
IR Range	66 ft (20 m)			
Impact Protection	N/A		IK10	
Communication	Up-the-Coax, protocol: HIKVISION-C (TVI output), supports UTC OSD			
Dimensions	Φ3.52" × 2.75" (Φ89.5 mm × 69.8 mm)		Φ4.3" × 3.25" (Φ111 mm × 82.5 mm)	
Weight	9.88 ozs (280 g)		Approximately 0.77 lb (350 g)	

Accessories

For DS-2CE56D0T-IR Turret Camera

						
AB110 Angled Base	CPM Ceiling Pendant Mount	PC110T Pendant Cap	CB110 Conduit Base	WM110 Wall Mount	DS-1H18 Video Balun	X41T Camera Tester

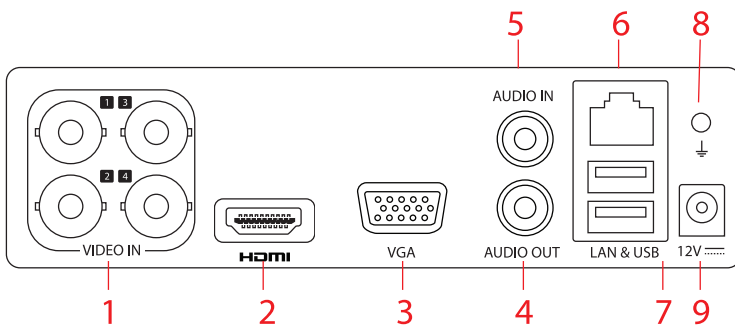
For DS-2CE56D7T-VPIT Dome Camera

					
PC110 Wall Mount	PM Pole Mount	CM Corner Mount	CBXS Junction Box	DS-1H18 Video Balun	X41T Camera Tester

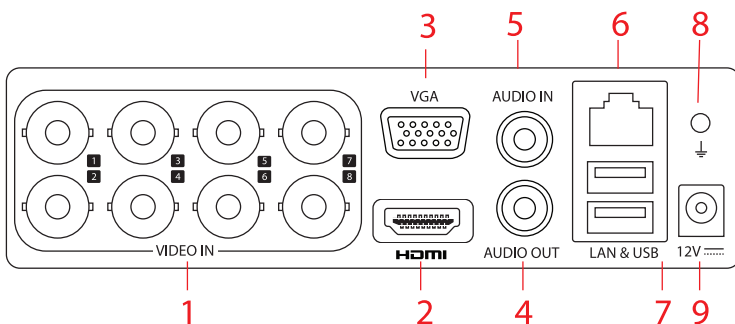


■ DVRs				
	T7104Q1TA	T7104Q2TA	T7104Q1TB	T7104Q2TB
	DS-7104HQHI-F1/NB		DS-7108HQHI-F1/NB	
Video/Audio Input				
Video Compression	H.264			
Analog Video Input	4-ch		8-ch	
	BNC interface (1.0 Vp-p, 75 Ω)			
HD-TVI Input	1080p/25 Hz, 1080p/30 Hz, 720p/25 Hz, 720p/30 Hz, 720p/50 Hz, 720p/60 Hz			
Audio Compression	G.711u			
Audio Input/Two-Way Audio Input	1-ch, RCA (2.0 Vp-p, 1 K Ω)			
Video/Audio Output				
HDMI/VGA Output	1920 × 1080/60 Hz, 1280 × 1024/60 Hz, 1280 × 720/60 Hz, 1024 × 768/60 Hz			
Encoding Resolution	1080p (non-real-time)/720p/VGA/WD1/4CIF/CIF; 720p/VGA/WD1/4CIF/CIF			
Frame Rate	Main stream: 1/16 fps to real time frame rate Sub-stream: WD1/4CIF @ 12 fps, CIF/QVGA/QCIF @ 1/16 fps to real time frame rate			
Video Bitrate	32 Kbps to 6 Mbps			
Audio Output	1-ch, RCA (linear, 1K Ω)			
Audio Bitrate	64 Kbps			
Dual-Stream	Supported			
Stream Type	Video, video and audio			
Synchronous Playback	4-ch		8-ch	
Network Management				
Remote Connections	128			
Network Protocols	TCP/IP, PPPoE, DHCP, EZVIZ Cloud P2P, DNS, DDNS, NTP, SADP, SMTP, NFS, iSCSI, UPnP™, HTTPS, ONVIF			
Hard Drive				
SATA	1 SATA interface			
Capacity	1 TB included	2 TB included	1 TB included	2 TB included
External Interface				
Network Interface	1; 10M/100Mbps self-adaptive Ethernet interface			
USB Port	2 × USB 2.0			
General				
Power Supply	12 VDC			
Consumption (w/o HDD)	≤ 8 W		≤ 12 W	
Working Temperature	14° F to 131° F (-10° C to +55° C)			
Working Humidity	10% to 90%			
Dimensions (W × D × H)	7.9" × 7.9" × 1.8" (200 mm × 200 mm × 45 mm)			
Weight (w/o HDD)	≤ 1.8 lb (0.8 kg)			

DVR Rear Panel

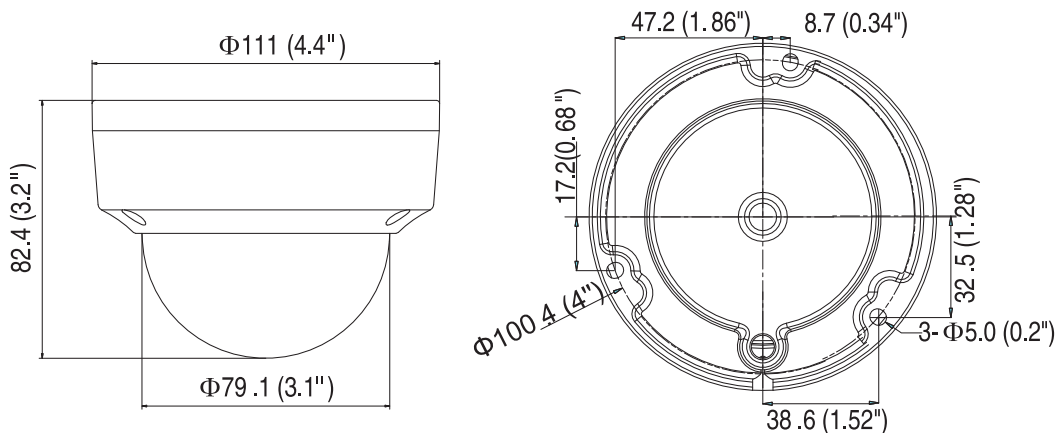


DS-7104HQHI-F1/NB			
	Description		Description
1	VIDEO IN	6	LAN Network Interface
2	HDMI Interface	7	USB Ports
3	VGA Interface	8	GND
4	AUDIO OUT, RCA Connector	9	12 VDC Power Input
5	AUDIO IN, RCA Connector		



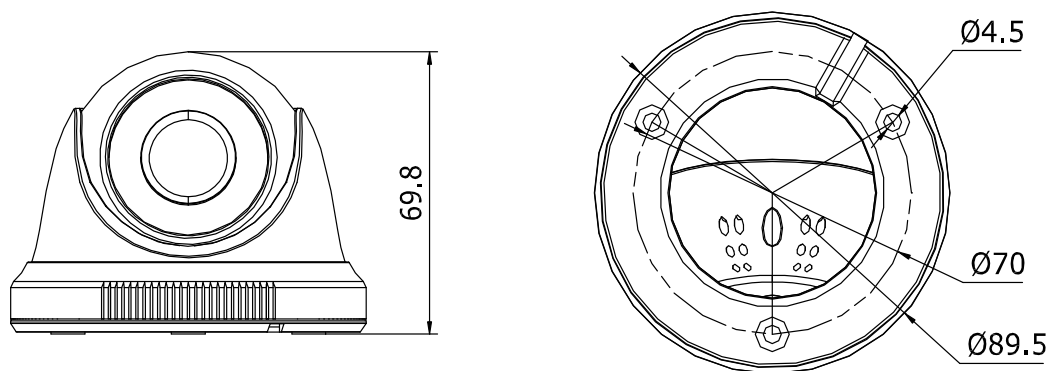
DS-7108HQHI-F1/NB			
	Description		Description
1	VIDEO IN	6	LAN Network Interface
2	HDMI Interface	7	USB Ports
3	VGA Interface	8	GND
4	AUDIO OUT, RCA Connector	9	12 VDC Power Input
5	AUDIO IN, RCA Connector		

DS-2CE56D0T-IR Dome Camera



Unit : mm

DS-2CE56D7T-VPIT Turret Camera



Unit: mm

DS-710xHQHI-F1/NB DVR

