

**FLAT LCD DISPLAY MOUNT MODEL**



**CMH-01 Ceiling Mount**

## Warning Statements



The wall, floor or ceiling should be capable of supporting a weight of at least five (5) times the monitor's weight. If it cannot, the wall, floor or ceiling must be reinforced. Proper installation procedure by qualified personnel as outlined in the installation instructions must be adhered to. Failure to do so could result in serious personal injury.



**CAUTION!** The entire installation instructions should be fully read and understood, including all of the safety symbols and safety precautions before beginning installation. The installation instructions should be read, understood and followed to prevent personal injury or proper damage. Keep these installation instructions in an easily accessible location for future reference.



**CAUTION!** The ceiling structure must be capable of supporting a maximum weight of 400 lbs. If not, the ceiling must be reinforced. Proper installation procedure by qualified personnel as outlined in the installation instructions must be adhered to. Failure to do so could result in serious personal injury.



**CAUTION!** Make sure to hold the plasma display, or projector, securely and remove it from the mount to make the height adjustment prior to loosening the adjustment screws. Do not remove the screws completely from the extension loosen all at once. Loosen, remove, adjust then re-tighten the screws. Failure to do so could result in injury and or damage to the plasma display or projector.



Indicates that the power plug is to be disconnected from the power outlet.



Safety precautions must be taken at all times.



Warning and caution in general

## Weight Capacity

Maximum flat panel weight: **160lbs**

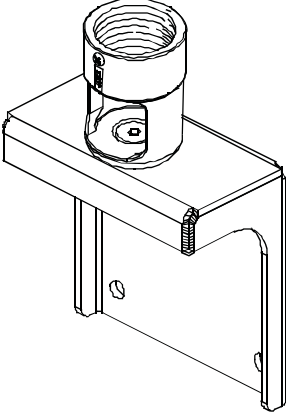
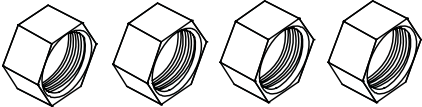
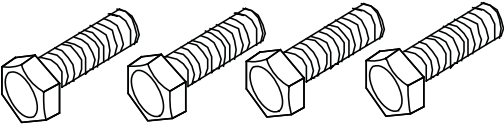
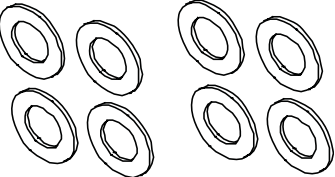
THE CEILING STRUCTURE MUST BE CAPABLE OF HOLDING FIVE (5) TIMES THE WEIGHT OF THE FLAT PANEL AND MOUNT. IF NOT, THEN THE CEILING STRUCTURE MUST BE REINFORCED.

## TABLE OF CONTENTS

<b>1. PART LIST</b> .....	3
<b>2. INSTALLATION TOOLS</b> .....	3
<b>3. ATTACHING THE CEILING ADAPTER</b> .....	5-6
<b>4. ATTACHING THE MOUNTING PLATE</b> .....	7-8
<b>5. TECHNICAL SPECIFICATIONS</b> .....	9
<b>6. LIMITED LIFETIME WARRANTY</b> .....	10

## Part List

**NOTE:** This wall mount is shipped with all proper installation hardware and components. Make sure that none of these parts are missing and/or damaged before beginning installation. If there are parts missing and/or damaged, please stop the installation and contact ORION Images. 714-766-6300

CMH-01 Mount Hardware	
Ceiling Adapter (Qty 1)	
M10 Nut (Qty 4)	
M10 Hex Head Bolt (Qty 4)	
M10 Flat Washer (Qty 8)	

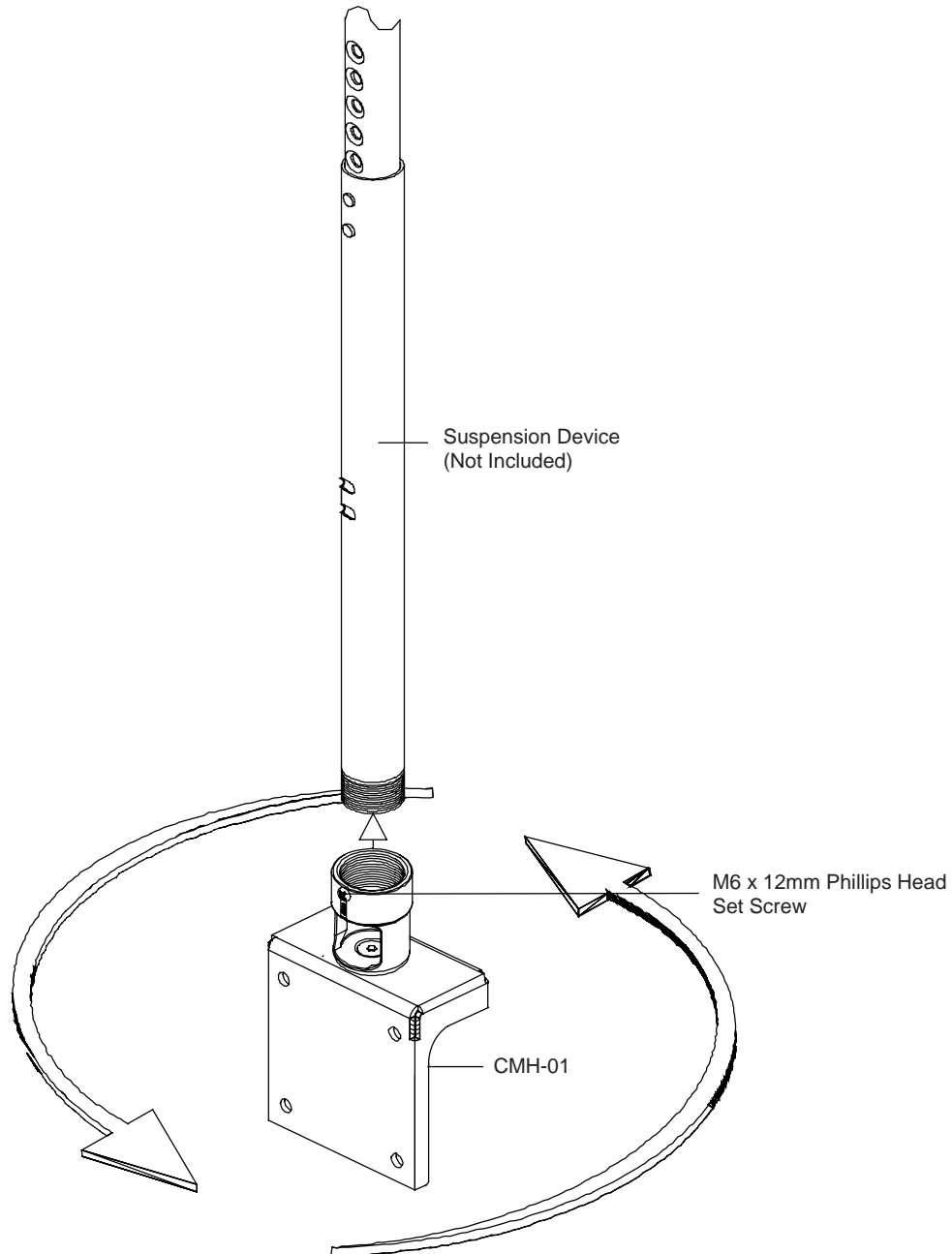
## Installation Tools

Phillips Head Screw driver, Soft Material / Blanket, Pencil, Ladder

## ATTACHING THE CEILING ADAPTER

### Step1

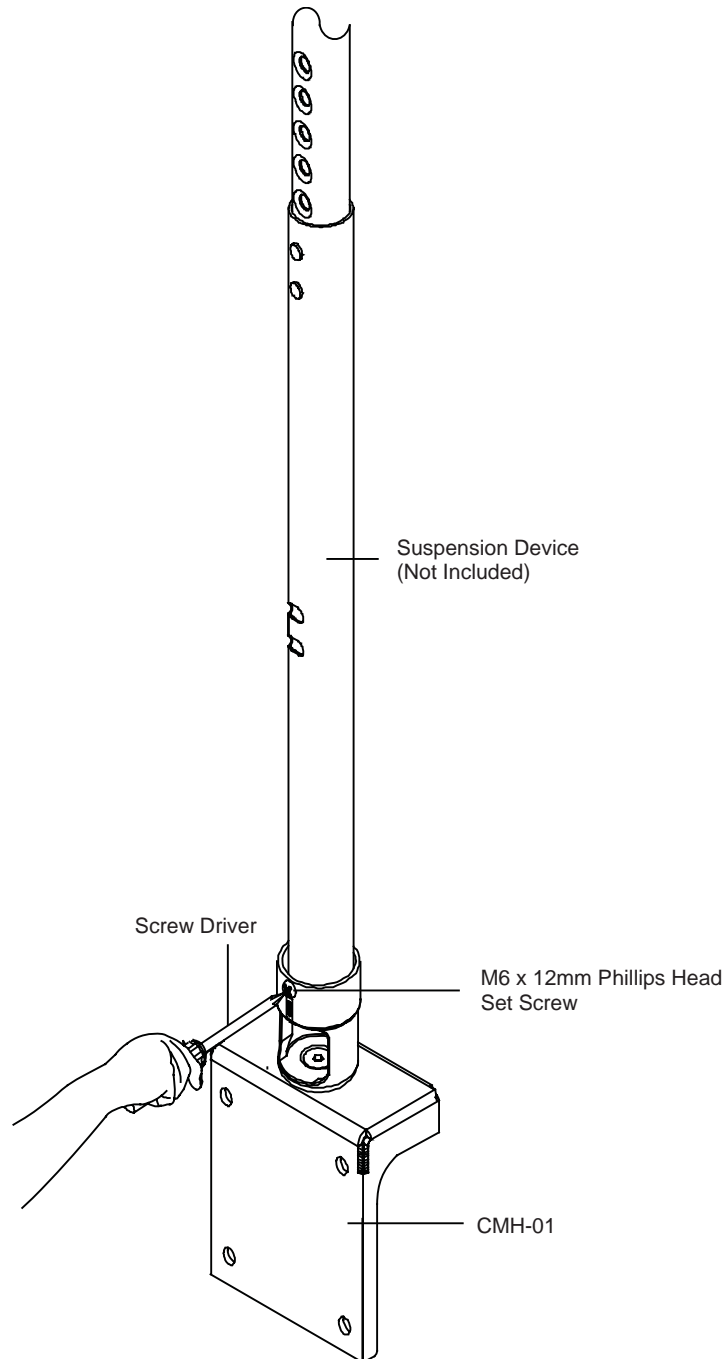
To attach the ceiling adapter to the suspension device (not included), rotate the ceiling adapter clockwise onto the suspension device a minimum of five (5) complete turns.



## ATTACHING THE CEILING ADAPTER

### Step2

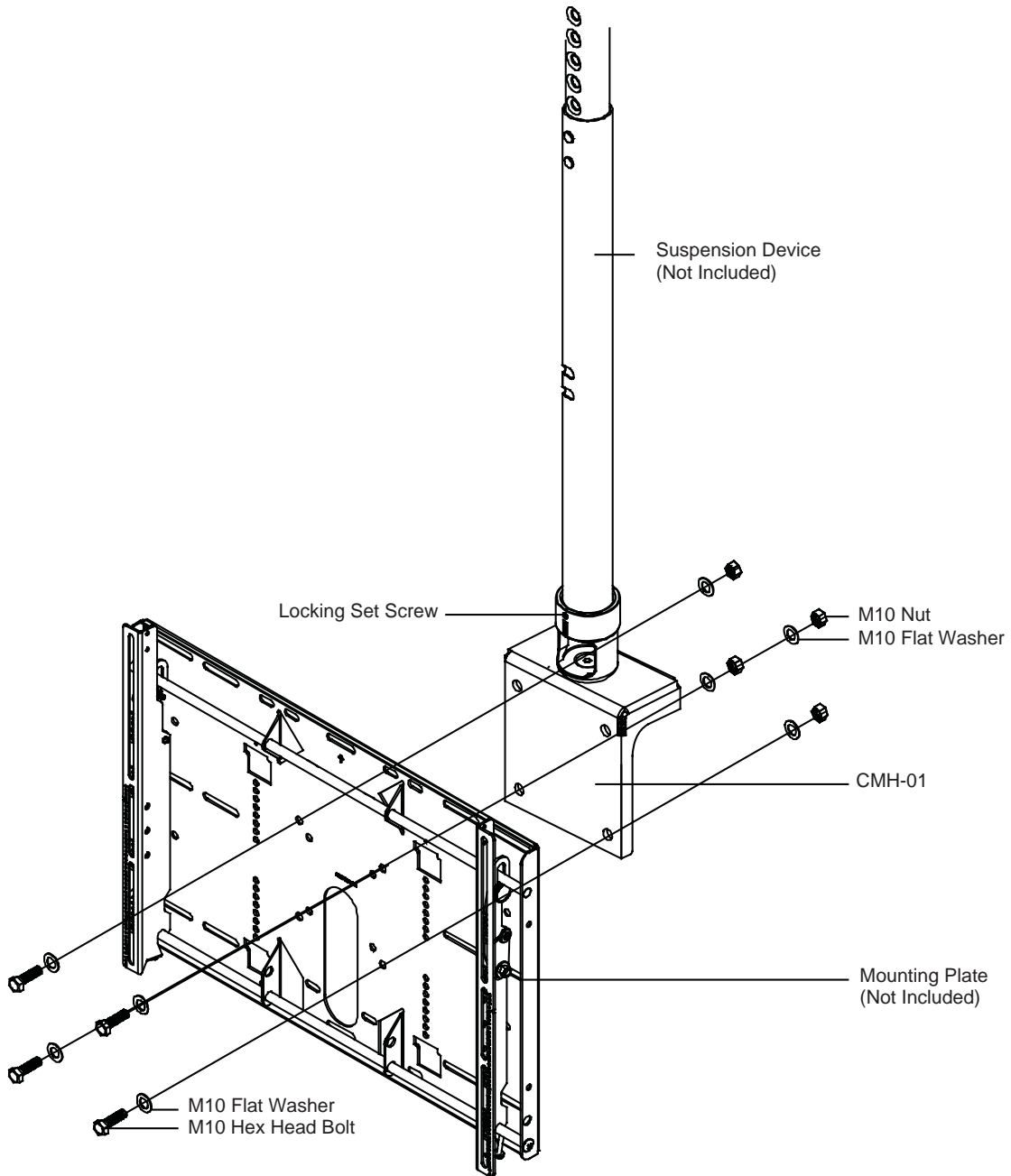
Once the ceiling adapter has been attached, tighten the M6 x 12mm Phillips head set screw using a Phillips screwdriver.



## ATTACHING THE MOUNTING PLATE

### Step1

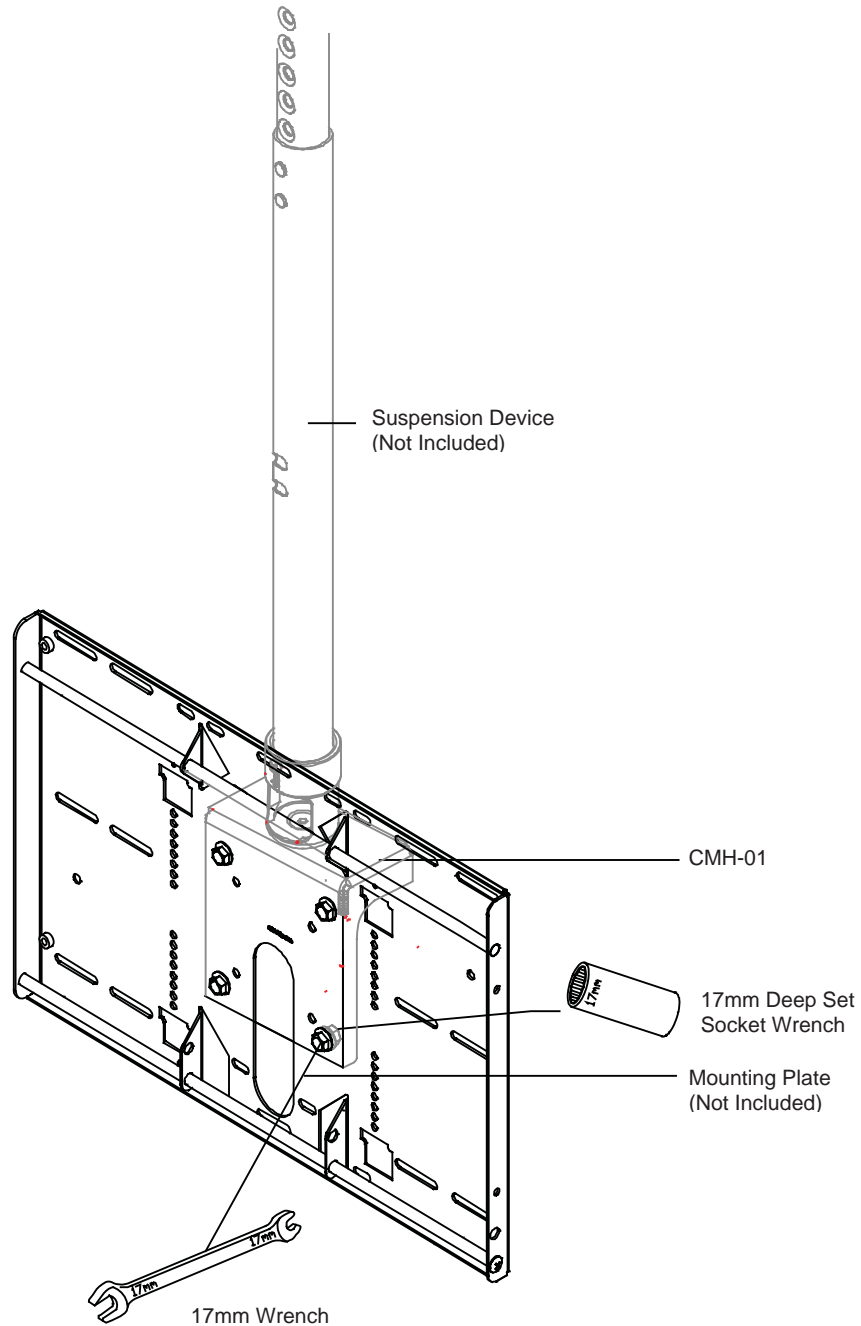
Use four (4) M10 hex head bolts, eight (8) M10 flat washers, and four (4) M10 nuts to attach the mounting plate to the ceiling adapter.



## ATTACHING THE MOUNTING PLATE

### Step2

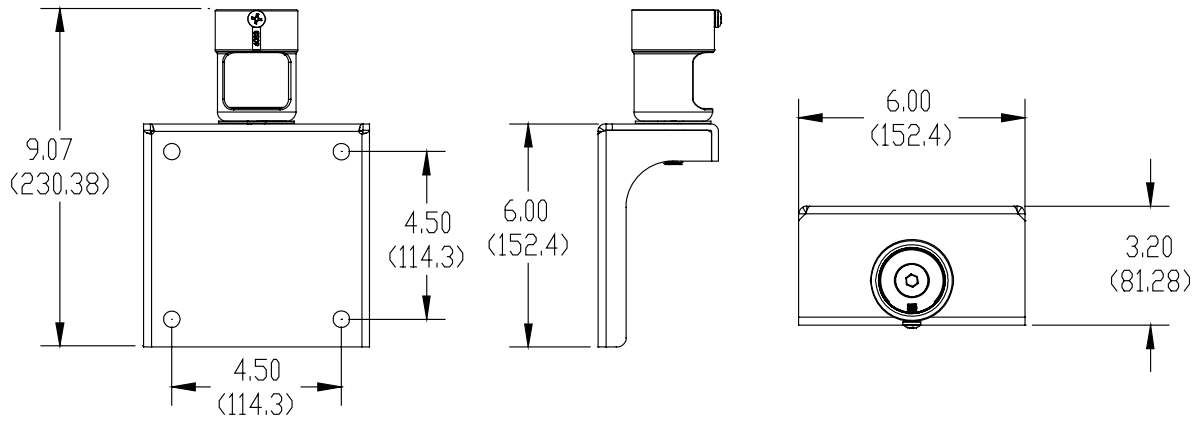
Once the both units have been attached together, use a 17mm socket wrench and a 17mm wrench to tighten the M10 hardware.





## Technical Specification

All measurements are in inches (mm).



## Limited Lifetime Warranty

All **Orion Images** products carry a limited lifetime warranty from ship date against defects in materials and workmanship. Orion Images is not liable for improper installation that results in damage to mounts, adapters, display equipment or personal injury.

### Contact Orion Images

In the event of missing and/or damage equipment, or technical questions, the following information can help in the completion of the installation.

**Address: 7300 Bolsa Avenue, Westminster, CA 92683**

**Tel: 714-766-6300 / Fax: 714-766-6310**

**Email: [sales@orionimages.com](mailto:sales@orionimages.com)**

**Website: <http://www.orionimages.com>**