



SPECIAL FEATURES

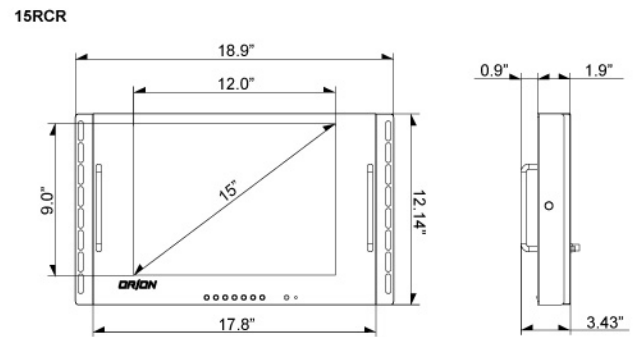
- 1024 x 768 @ 60Hz Maximum Resolution
- 0.297 x 0.297mm Pixel Pitch
- Metal Cabinet with Chrome Handles
- Multi-Source Connectivity
- 2D Comb Filter
- Built-In Speakers
- Tilt Capability
- 1 Left and 1 Right Audio Input

SPECIFICATIONS

		15RCR
Display	Screen Size	15 Inch
	Max. Resolution	1024 x 768 @ 60Hz
	Pixel Pitch	0.297 x 0.297mm
	Brightness	250cd/m ²
	Contrast Ratio	700 : 1
	Aspect Ratio	4 : 3
	Viewing Angle (H/V)	140° / 125°
	Display Color	16.2 Million
	Response Time	< 8ms
	Video System	NTSC / PAL
Frequency (H)	31-48 KHz(H)	
Frequency (V)	55-75 KHz(V)	
Interface	Video In / Out (BNC Type)	2 / 2
	S-Video In / Out	1 / 1
	VGA In (15Pin D-Sub)	1
	Audio Input (RCA Type)	1
	PC Stereo In	1
Transmitter	Remote Control	N/A
Audio	Built-in Speakers	Yes (2W x 2)
	Filter Type	2D Comb Filter
Features	Multi Language	English, Spanish, French
	Outline Dimension	18.9" x 12.14" x 3.43"
Dimension	Net. Weight	4.3Kg (9.48lbs)
	Material / Color	Metal / Black
Cabinet	Tilt Function	Yes
	Part/Labor	1year / 1year
Warranty	MTBF (Approx.)	30,000 Hours
	Regulations	RoHS, TUV-NRTL (optional), CB, FCC (A), CE-Ern (LVD)
Power	Consumption: < On	< 35W
	Electrical Ratings	AC100 ~ 240V(50/60Hz) DC12V / 3A
Circumstance	Operating Temperature	10 ~ 40° C / 50 ~ 104° F
Mounts	VESA™ Mount Size	100 x 100mm
	Mount Type	Rack Mount Ready

*Design and specifications are subject to change without notice

DIMENSIONS



TILT DIRECTION

