



SPECIAL FEATURES

- 1280 x 1024 @ 75Hz Maximum Resolution
- 0.267 x 0.267mm Pixel Pitch
- Metal Cabinet with Chrome Handles
- Multi-Source Connectivity
- 3D Comb Filter / Deinterlace
- Built-In Speakers
- Tilt Capability
- Remote Control
- 1 Left and 1 Right Audio Input

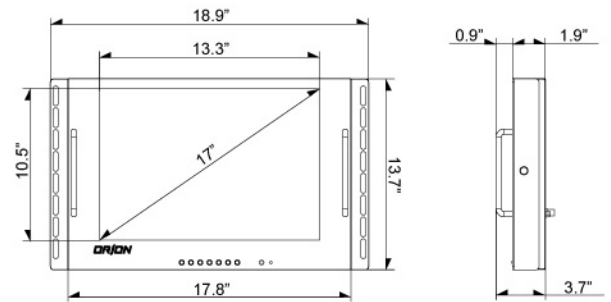
SPECIFICATIONS

		17RCR
Display	Screen Size	17 Inch
	Max. Resolution	1280 x 1024 @ 75Hz
	Pixel Pitch	0.264 x 0.264mm
	Brightness	300cd/m ²
	Contrast Ratio	1000 : 1
	Aspect Ratio	5 : 4
	Viewing Angle (H/V)	160° / 160°
	Display Color	16.7 Million
	Response Time	< 5ms
	Video System	NTSC / PAL
Interface	Video In / Out (BNC Type)	2 / 2
	S-Video In / Out	1 / 1
	VGA In (15Pin D-Sub)	1
	Audio Input	1
	PC Stereo In	1
Transmitter	Remote Control	Yes
Audio	Built-in Speakers	Yes (2W x 2)
	Filter Type	3D Comb Filter / Deinterlace
Features	Multi Language	English, Spanish, French, German, Italian
	Outline Dimension	18.9" x 13.9" x 3.7"
Dimension	Net. Weight	5.7Kg (12.7lbs)
	Material / Color	Metal / Black
Cabinet	Tilt Function	Yes
	Part/Labor	1year / 1year
Warranty	MTBF (Approx.)	50,000 Hours
	Regulations	
Power	Consumption: < On	< 40W
	Electrical Ratings	AC100 ~ 240V(50/60Hz)
		DC12V / 3.5A
Circumstance	Operating Temperature	10 ~ 40° C / 50 ~ 104° F
Mounts	VESA® Mount Size	100 x 100mm (BS M7 x 8mm Screw)
	Mount Type	Rack Mount Ready

*Design and specifications are subject to change without notice

DIMENSIONS

17RCR



TILT DIRECTION

