



SPECIAL FEATURES

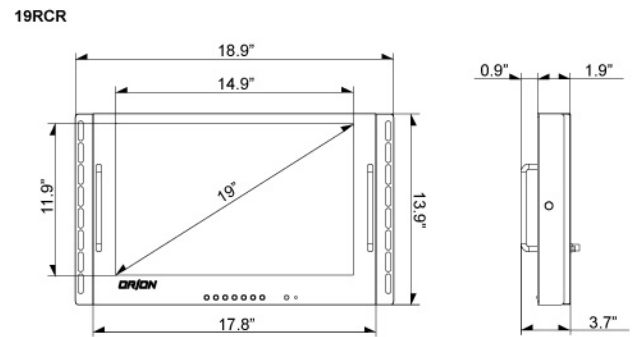
- 1280 x 1024 @ 75Hz Maximum Resolution
- 0.297 x 0.297mm Pixel Pitch
- Metal Cabinet with Chrome Handles
- Multi-Source Connectivity
- 3D Comb Filter / Deinterlace
- Built-In Speakers
- Tilt Capability
- Remote Control
- 1 Left and 1 Right Audio Input

SPECIFICATIONS

		19RCR
Display	Screen Size	19 Inch
	Max. Resolution	1280 x 1024 @ 75Hz
	Pixel Pitch	0.294 x 0.294mm
	Brightness	300cd/m ²
	Contrast Ratio	1000 : 1
	Aspect Ratio	5 : 4
	Viewing Angle (H/V)	160° / 160°
	Display Color	16.7 Million
	Response Time	< 5ms
	Video System	NTSC / PAL
	Interface	Frequency (H)
Frequency (V)		55-75 KHz(V)
Video In / Out (BNC Type)		2 / 2
S-Video In / Out		1 / 1
VGA In (15Pin D-Sub)		1
Transmitter	Audio Input	1
	PC Stereo In	1
Audio	Remote Control	Yes
Features	Built-in Speakers	Yes (2W x 2)
	Filter Type	3D Comb Filter / Deinterlace
Dimension	Multi Language	English, Spanish, French, German, Italian
	Outline Dimension	18.9" x 13.9" x 3.7"
Cabinet	Net. Weight	6.3Kg (14.0lbs)
	Material / Color	Metal / Black
Warranty	Tilt Function	Yes
	Part/Labor	1year / 1year
Regulations	MTBF (Approx.)	50,000 Hours
		RoHS, TUV-NRTL (optional), CB, FCC (A), CE-Emc (LVD)
Power	Consumption: < On	< 42W
	Electrical Ratings	AC100 ~ 240V(50/60Hz) DC12V / 3.5A
Circumstance	Operating Temperature	10 ~ 40° C / 50 ~ 104° F
Mounts	VESA™ Mount Size	100 x 100mm (BS M4 x 8mm Screw)
	Mount Type	Rack Mount Ready

*Design and specifications are subject to change without notice

DIMENSIONS



TILT DIRECTION

