

### Public View Display w/ WDR Built in Camera

### SPECIAL FEATURES

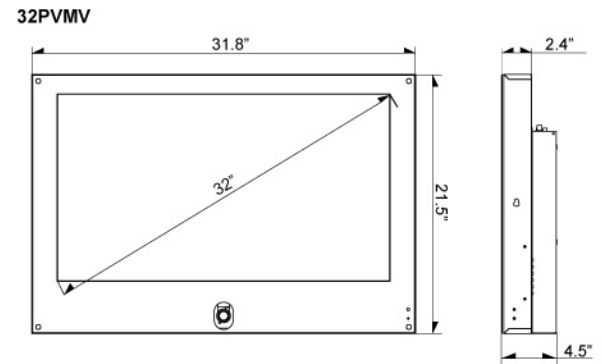
- Built-In 2:1 Interface Transfer 1/3 Inch Double Scan CCD
- PIP / PBP Multi Display Function
- All Front Acrylic LCD Protective Shield
- 3D Comb Filter / Deinterlace
- BNC Video 2 In / 3 Out, S-Video 1 In / 1 Out, VGA 1 In, DVI-D 1 In / HDMI 1 In, Audio 3 In, Component 1 In, PC Stereo 1 In
- 540 TV Line Horizontal Resolution
- 0.1 Lux (Normal Mode) / 0.001 Lux (DSS Mode)
- Optional Mounts: Wall or Ceiling Mount Kits

### SPECIFICATIONS

		32PVMV	
Display	Screen Size	32 Inch	
	Max. Resolution	1366 x 768 @ 60Hz	
	Pixel Pitch	0.51 x 0.51mm	
	Brightness	500cd/m <sup>2</sup>	
	Contrast Ratio	1100 : 1	
	Aspect Ratio	16 : 9	
	Viewing Angle	178° / 178°	
	Display Color	16.7 Million	
	Response Time	< 8ms (G to G)	
	Video System	NTSC / PAL	
Frequency (H)	30~64 KHz(H)		
Frequency (V)	56~75 KHz(V)		
Interface	Video In / Out (BNC Type)	2 / 3 (Include Camera Out)	
	S-Video In / Out	1 / 1	
	VGA In (15Pin D-Sub)	1	
	DVI-D In / HDMI In	1 / 1	
	Audio In (RCA Type)	3	
	PC Stereo In	1	
	Component In	1	
Transmitter	Remote Control	Yes	
Audio	Built-in Speakers	Yes (4W x 2)	
	Filter Type	3D Comb Filter / Deinterlace	
Features	Multi Display Function	PIP / PBP	
	LCD Protection	All Front Acrylic Shield	
	Multi Language	English, Spanish, French, German, Italian	
Dimension	Motion Sensor	Microwave Motion Sensor (10 ~ 30 feet)	
	Outline Dimension (W x H x D)	31.8" x 21.5" x 4.5"	
Cabinet	Net. Weight	21Kg (46.3lbs)	
	Material / Color	Powder Coat Metal / Black	
Warranty	Part/Labor	1year / 1year	
	MTBF (Approx.)	50,000 Hours	
Regulations		RoHS, TUV-NRTL (optional), CB, FCC (A), CE-Emc (LVD)	
Power	Consumption: < On	< 150W	
	Electrical Ratings	AC100 ~ 240V(50/60Hz) DC 24V	
Circumstance	Operating Temperature	10° ~ 40° C / 50° ~ 104° F	
	Camera Type	WDR Camera	
Camera	Mechanical Design	525Lines NTSC	625Lines PAL
	Signal / Scanning System	768(H) x 494(V)	752(H) x 582(V)
	Total / Effect Pixels	2:1 Interface Transfer 1/3 Inch Double Scan CCD	
	Image Sensor	Tilt Swivel Camera	
	Resolution	Horizontal: 540TV Lines	
	Lens Mount	4~9mm Varifocal Lens (F=1.5)	
	Sensitivity	0.1Lux (Normal Mode) / 0.001 Lux (DSS Mode)	
Electronic Shutter	1/60 ~ 1/10,000 Sec.	1/50 ~ 1/10,000 Sec.	
Mounts	VESA™ Mount Size	200 x 200mm (BS M6 x 16mm Screw)	
	Wall	WB-30, WB-31 with FMA-01	
	Ceiling	CMK-01 with FMA-01	
Card Reader	Media Card Reader	Optional	

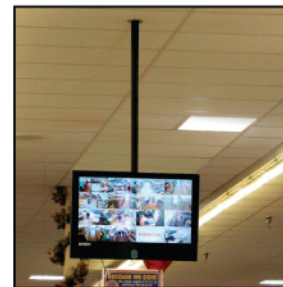
\*Design and specifications are subject to change without notice

### DIMENSIONS

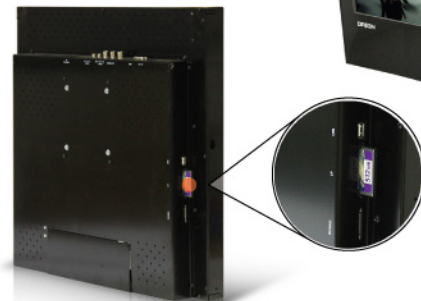


### WHERE TO USE

PVMV can be used in Restaurant, Grocery Store, Casino, School, Financial Institute, Dealership, Department Store, Convenience Store, Mall, Transportation, Airport, Public Arena, High Technology Store and etc...



PVM installed ceiling mount



Optional Media Card Reader