



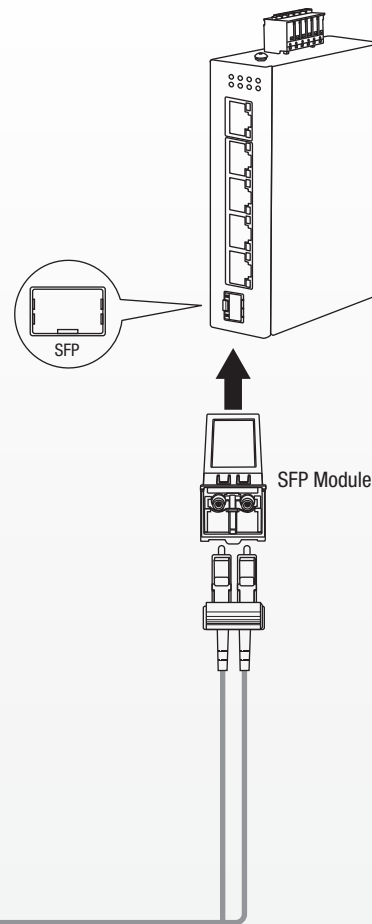
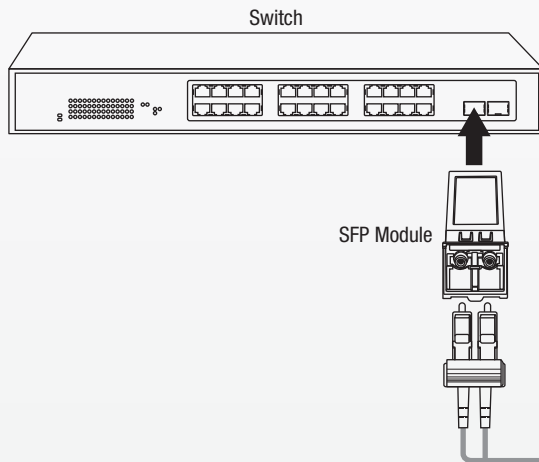
Quick Installation Guide

SFP Moudule

TI-MGBSX

TI-MGBS10

TI-MGBS40



Declaration of Conformity

TRENDnet

Manufacturer's Name and Address

TRENDnet, Inc.
20675 Manhattan Place
Torrance, CA 90501 USA

Zwaluwenstr. 156 2087 WB
The Hague The Netherlands



Product Information

Model Number: TI-MGBSX / TI-MGBS10 / TI-MGBS40

Product Name: Mini iGBC Module

Trade Name: TRENDnet

TRENDnet hereby declares that the product is in compliance with the essential requirements and other relevant provisions under our sole responsibility.

Technical Standards

EN 55022: 2010/AC: 2011 Class B	EN 55022: 2011 - AC: 2013
EN 61000-3-2: 2014	EN 61000-3-2: 2014
EN 61000-3-3: 2013	EN 61000-3-3: 2013
AS/NZS CISPR 22: 2009+A1: 2010	IEC 61000-4-2: 2010
	IEC 61000-4-3: 2012
	IEC 61000-4-4: 2014
	IEC 61000-4-5: 2014
	IEC 61000-4-8: 2009
	IEC 61000-4-11: 2004

Declaration:

The product is herewith confirmed to comply with the requirements of Directive 2004/108/EC of the Council (European Parliament) on the EMC directive.
I hereby declare that the products and device mentioned above are consistent with the standards and provisions of the guidelines.

Person responsible for this declaration:

Place of Issue: Torrance, California, USA

Date: February 08, 2017

Name: Sunny Su

Title: Director of Technology

Signature: 



Déclaration de conformité

TRENDnet

Manufacturer's Name and Address

TRENDnet, Inc.
20675 Manhattan Place
Torrance, CA 90501 USA

Zwaluwenstr. 156 2087 WB
The Hague The Netherlands



Détails du produit

Modèle: TI-MGBSX / TI-MGBS10 / TI-MGBS40

Nom du produit: Mini iGBC Module

Nom Commercial: TRENDnet

TRENDnet déclare par la présente que le produit est conforme aux exigences essentielles et aux autres dispositions pertinentes de la Directive en vertu de notre seule responsabilité.

Technical Standards

EN 55022: 2010/AC: 2011 Class B	EN 55022: 2011 - AC: 2013
EN 61000-3-2: 2014	EN 61000-3-2: 2014
EN 61000-3-3: 2013	EN 61000-3-3: 2013
AS/NZS CISPR 22: 2009+A1: 2010	IEC 61000-4-2: 2010
	IEC 61000-4-3: 2012
	IEC 61000-4-4: 2014
	IEC 61000-4-5: 2014
	IEC 61000-4-8: 2009
	IEC 61000-4-11: 2004

Déclaration:

Le produit est conforme aux exigences de la directive 2004/108/EC du Conseil (Parlement européen) sur la directive EMC.
Je déclare par la présente que les produits et appareils mentionnés ci-dessus sont conformes aux standards et aux dispositions des directives.

Personne responsable de cette déclaration:

Lieu de délivrance: Torrance, California, USA

Date: 08 Février 2017

Nom: Sunny Su

Position: Director of Technology

Signature: 



Certifications

This device complies with Part 15 of the FCC Rules. Operation is subject to the following two conditions:
(1) This device may not cause harmful interference.
(2) This device must accept any interference received. Including interference that may cause undesired operation.



Waste electrical and electronic products must not be disposed of with household waste. Please recycle where facilities exist. Check with your Local Authority or Retailer for recycling advice.

Applies to PoE Products Only: This product is to be connected only to PoE networks without routing to the outside plant.

Note

The Manufacturer is not responsible for any radio or TV interference caused by unauthorized modifications to this equipment. Such modifications could void the user's authority to operate the equipment.

Limited Warranty

TRENDnet warrants its products against defects in material and workmanship, under normal use and service. Specific warranty periods are listed on each of the respective product pages on the TRENDnet website.

Garantie Limitée

TRENDnet garantit ses produits contre les problèmes de matériel ou de fabrication, dans des conditions normales d'utilisation et de service. Les périodes de garanties précises sont mentionnées sur chacun des pages produits du site web de TRENDnet.

Eingeschränkte Garantie

TRENDnet gewährt eine Garantie für seine Produkte im Falle von Material- und Bearbeitungsdefekten, bei normaler Verwendung und Wartung. Spezielle Garantiezeiträume werden auf jeder Produktseite auf der Website von TRENDnet genannt.

Garantia limitada

TRENDnet garantiza que sus productos carecen de defectos en el material y la fabricación, en condiciones de uso y funcionamiento normales. Los períodos específicos de garantía figuran en cada una de las páginas de producto del sitio web de TRENDnet.

Garantia Limitada

A TRENDnet garante seus produtos contra defeitos de material e mão de obra sob condições normais de uso e serviço. Os períodos de garantia específicos estão listados em cada uma das páginas dos respectivos produtos no site da TRENDnet.

Piiratud garanti

TRENDneti garanti hõlmab materjali- ja koostamisdefekte, mis ilmnevad toote tavapärase kasutamisel. Garantiiaja täpne pikkus konkreetsel tootel on loetletud TRENDneti kodulehel vastava toote infolehel.

Garanzia limitata

TRENDnet garantisce i propri prodotti da difetti di materiali e manodopera, in condizioni di normale uso ed esercizio. I periodi di garanzia specifici sono elencati sulle rispettive pagine di prodotto sul sito TRENDnet.

Advertencia

En todos nuestros equipos se mencionan claramente las características del adaptador de alimentación necesario para su funcionamiento. El uso de un adaptador distinto al mencionado puede producir daños físicos y/o daños al equipo conectado. El adaptador de alimentación debe operar con voltaje y frecuencia de la energía eléctrica domiciliar existente en el país o zona de instalación.

Technical Support

If you have any questions regarding the product installation, please contact our Technical Support.

Toll free US/Canada: **1-866-845-3673**

Regional phone numbers available at www.trendnet.com/support

Product Warranty Registration

Please take a moment to register your product online.

Go to TRENDnet's website at: www.trendnet.com/register

TRENDnet

20675 Manhattan Place
Torrance, CA 90501
USA