



- Rugged heavy duty weatherproof housing
- 620TV lines of resolution
- Day / night infra- red illumination
- Built-in audio

SPECIFICATION

Image pick-up device

1/3" Super HAD II SONY CCD

Picture elements

811(H) x 508(V) 410K pixels

Effective pixel

768(H) x 494(V) 380K pixels

Scanning system

2:1 interlaced

Resolution

620TV lines horizontally

Video output level

1.0 Vp-p 75Ohm composite (BNC connector)

S/N ratio

48dB

Minimum illumination

0.2 Lux at F1.2

Video output

1.0 Vp-p 75Ohm composite (BNC connector)

Operational temperature

-30°C ~ +80°C

Power requirement

DC12V

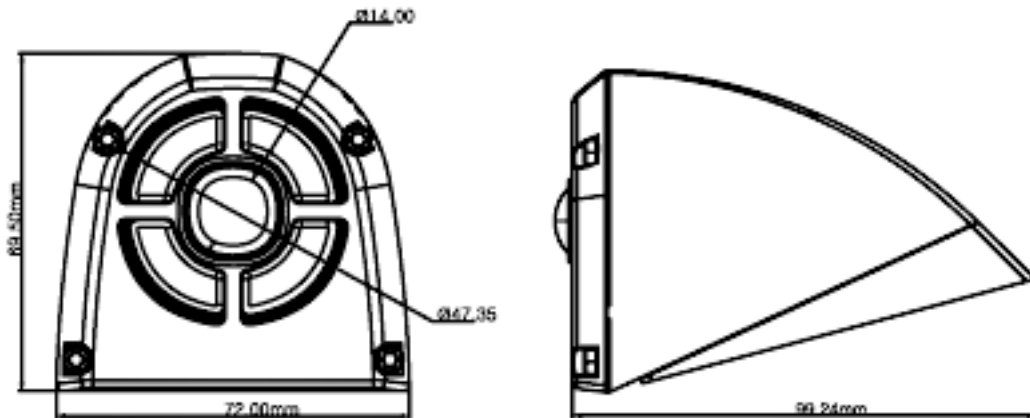
Power consumption

120mA (LED on: 250mA)

Lens

Standard (WDRV-3415C-LK); 180° (WDRV-3418C)





DIMENSIONS

BRACKETS



MOUNTING BRACKET



ANGLE REGULATOR