

# EHS8000 Series Enclosure

## RUGGED, OUTDOOR, STAINLESS STEEL

### Product Features

- High Reliability 316L Stainless Steel Construction
- Temperature Range from -40° to 50°C (-40° to 122°F)
- Meets IP66/IP68 and Type 6P Standards
- IK10 Mechanical Resistance, Vandal Resistance
- All Models Include Heater and Blower
- 24 VAC, Power Over Ethernet (PoE), and 230 VAC models
- Advanced Optics for Megapixel Camera Support
- Cable Entry Glands At the Rear of the Enclosure
- Integrated Cradle on Bottom of the Enclosure For Mounting or Used In Conjunction With Included Wall Mount
- Easy Access for Servicing and Installation
- Sun Shroud and EMS8000 mount included



Pelco's EHS8000 Series rugged outdoor enclosure is designed to protect camera and lens components in adverse environmental conditions. The stainless steel construction increases reliability and reduces the cost of maintenance.

The EHS8000 Series enclosure is easily installed in the field and its rugged construction and high-quality seals prevent impurities from contaminating camera and lens components.

Constructed of corrosion-resistant 316L stainless steel to IK10 and IP66 and IP68 ratings, the rugged EHS8000 Series features a mounting cradle, sled and track assembly for camera mounting for easy access to the camera and lens. Power, video, and lens control cables are routed through environmentally sealed gland fittings on the rear of the enclosure.

All EHS8000 Series enclosures come standard with heater and blower. Power input options include 24 VAC, 230 VAC and Power over Ethernet while providing 24 VAC, 12 VDC, or POE power to the camera depending on the model.

A sun shroud shields the enclosure from direct sunlight and reduces the internal temperature by approximately 6° to 10°C (10° to 15°F). The sun shroud and a wall mount bracket come standard with every unit.



by Schneider Electric

International Standards  
Organization Registered Firm;  
ISO 9001 Quality System



C4048 / New 12-13-17

# TECHNICAL SPECIFICATIONS

## MECHANICAL

|   |   |
|---|---|
| Camera Mounting                               | Internal camera sled with adjustable positioning  |
| Camera and Lens Size                          | Accepts camera and lens combinations up to 22.86 x 10.16 x 7.62 cm (9-in L x 4-in W x 3.5-in H) |
| Viewing Window                                | High optic grade soda lime glass, 4K ready  |
| Viewing Area                                  | 3.00-inch diameter  |
| Cable Entry                                   |   |
| Maximum Cable Diameters                       | 0.45 in (11.4 mm)   |
| Cable Entry Holes                             | 2 x M20 compression glands  |
| Fastening for Front and Rear of the Enclosure | M5 screws with Torx head  |

## CERTIFICATIONS\*

- CE
- ICES-003 (Class A)
- UL/cUL Listed
- UL/IEC 60950-22 (TBD)
- Meets Type 6P, IP66, and IP68 standards
- IK10 Mechanical Impact Resistance (Mechanical enclosure only, not the front window)
- KCC
- RCM

## ELECTRICAL

|                                |  |
|--------------------------------|--|
| Input Power                    | 24 VAC, HPOE, or 230 VAC   |
| Input Voltage                  |  |
| HPoE                           | Preliminary IEEE802.3BT  |
| 24 VAC                         | ±10%, up to 40W (without camera), up to 53W (with 13W camera), 24 VAC output to camera |
| 230 VAC                        | ±10%, up to 40W (without camera), up to 53W (with 13W camera), 12 VDC output to camera |
| Maximum Power Output to Camera | 13W  |

### EHS8000 ENCLOSURE WITH EMS8000 WALL MOUNT



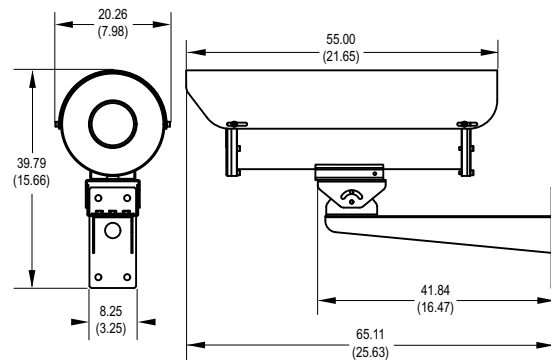
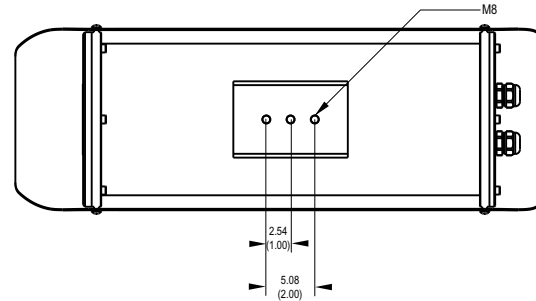
## GENERAL

|              |  |                    |
|--------------|--|--------------------|
| Construction | 316L stainless steel   |                    |
| Finish       | Electropolished  |                    |
| Environment  | Indoor/environmental ambient temperature -40° to 50° C (-40° to 122°F) |                    |
| Unit Length  |  |                    |
| Base         | 55.0 cm (21.65 in)   |                    |
| Overall      | 65.1 cm (25.63 in)   |                    |
| Weight       | Unit   | Shipping           |
| EHS8000-2-H  | 13.1 kg (28.9 lb)  | 15.1 kg (33.3 lb)  |
| EHS8000-3-H  | 13.23 kg (29.2 lb)   | 15.23 kg (33.6 lb) |
| EHS8000-P-H  | 13.23 kg (29.2 lb)   | 15.23 kg (33.6 lb) |
| EMS8000      | 2.03 kg (4.5 lb)   | 2.4 kg (5.3 lb)    |
| EPS8000      | 0.85 kg (1.9 lb)   | 1.0 kg (2.2 lb)    |

## RECOMMENDED CAMERAS

Sarix® Enhanced Next Generation Series

VALUES IN PARENTHESES ARE INCHES; ALL OTHERS ARE CENTIMETERS.



# TECHNICAL SPECIFICATIONS

## MODELS

| Model Number | Heater / Blower | 24 VAC | 230 VAC w/12 VDC to camera | HPOE input with POE output to camera |
|--------------|-----------------|--------|----------------------------|--------------------------------------|
| EHS8000-2-H  | •               | •      |                            |                                      |
| EHS8000-3-H  | •               |        | •                          |                                      |
| EHS8000-P-H  | •               |        |                            | •                                    |

## OPTIONAL ACCESSORIES

### POWER SUPPLIES

#### Indoor/Outdoor 24 VAC

|            |  |
|------------|--|
| WCS1-4     | Outdoor, 1 output, 4 A (100 VA) capacity   |
| WCS4-20B   | Outdoor, 4 outputs, 20 A (480 VA) capacity |
| MCS4-2B    | Indoor, 4 outputs, 2 A (48 VA) capacity    |
| MCS8-5B    | Indoor, 8 outputs, 5 A (120 VA) capacity   |
| MCS16-10   | Indoor, 16 outputs, 10 A (240 VA) capacity |
| MCS16-10SB | Same as above except with circuit breakers |
| MCS16-20   | Indoor, 16 outputs, 20 A (480 VA) capacity |
| MCS16-20SB | Same as above except with circuit breakers |

#### Indoor PoE

|               |  |
|---------------|--|
| POE90U1UP     | HPoE, IEEE802.3BT, midspan injector (no power cord)    |
| POE90U1UP-US  | HPoE, IEEE802.3BT, midspan injector (US power cord)    |
| POE90U1UP-EUK | HPoE, IEEE802.3BT, midspan injector (EU/UK power cord) |

**Note:** The "EUK" or "US" suffix indicates a European or US power cord.

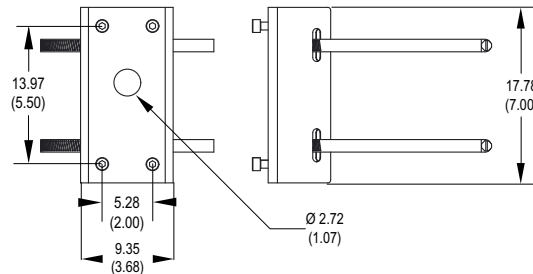
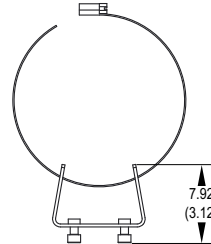
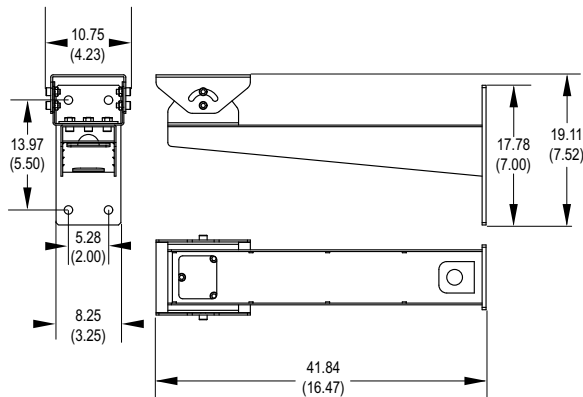
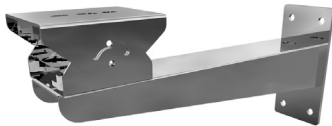
## OPTIONAL MOUNTS

|         |                    |
|---------|--------------------|
| EMS8000 | Wall mount         |
| EPS8000 | Pole mount bracket |

### EPS8000 Pole Mount Bracket



### EMS8000 Wall Mount



### Pelco by Schneider Electric

3500 Pelco Way, Clovis, California 93612-5699 United States

**USA & Canada** Tel (800) 289-9100 Fax (800) 289-9150

**International** Tel +1 (559) 292-1981 Fax +1 (559) 348-1120

**www.pelco.com www.pelco.com/community**

Pelco, the Pelco logo, and other trademarks associated with Pelco products referred to in this publication are trademarks of Pelco, Inc. or its affiliates. ONVIF and the ONVIF logo are trademarks of ONVIF Inc.

All other product names and services are the property of their respective companies.

Product specifications and availability are subject to change without notice.

©Copyright 2017, Pelco, Inc. All rights reserved.