

000

computer

5 megapixel 7x Macro Zoom Telecentric design



TEC-V7_x

Megapixel Zoom ratio : 0.5x - 0.07x
Telecentric design at 0.25x - 0.5x
Adjustable W.D: 182mm - 577.2mm

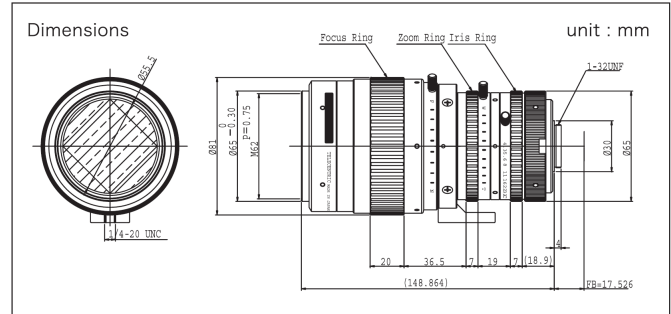
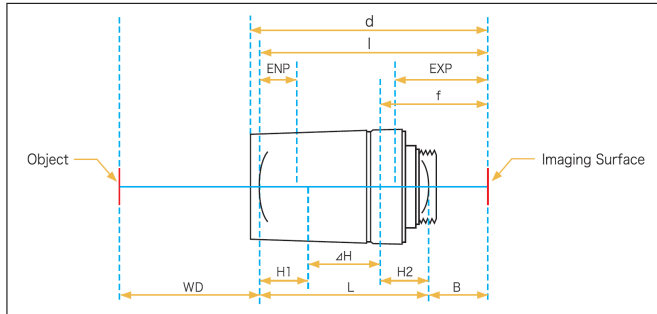
■ Zoom Ratio 7 : 1 ■ Sensor : 1.1 inch (diagonal 17.4mm) ■ F stop : F4.3
 ■ Resolution : 100 lp/mm at center and corner ■ Relative Illumination rate :
 more than 70% ■ Optical distortion : maximum 1.7%

This high performance lens incorporates 2 design functions. It operates both as a 7X macro zoom lens with 0.07X to 0.5X magnification and as a telecentric lens within the 0.25X to 0.5X magnification range. It provides excellent brightness throughout the zoom range, maintaining 70% illumination at both center and corners. Working distance is adjustable from 182-577.2mm and a F4.3-32C manual iris allows precise depth of field and contrast adjustments. The lens is suitable for cameras up to 5 megapixel resolution of 1/1.1" sensor size. This combination of features provides the versatility to meet a wide range of industrial applications.

Optical Magnification	0.07X – 0.5X
Max.Magnification	47.65 – 106.26mm
Max.Aperture Ratio	1 : 4.3
Operation range	Iris F4.3-F32
	Focus 182 mm – 577.2 mm
Control	Iris Manual operation
	Focus Manual operation
	Zoom Manual operation
Operating Temperature	-10°C ~ 50°C

Optical distortion	tele	1.1"	1.0%	1"	0.84%	2/3"	0.39%
	wide		-1.7%		-1.45%		-0.7%
BackFocal Length	tele	39.53mm					
	wide	49.78mm					
Flange Back Length	17.526 mm						
Mount	C Mount						
Filter Size	M62xP0.75						
Dimensions	φ 61 x 152.86mm						
Weight	1.4kg						

Optical Data



		Focal Length	First Principal Point	Second Principal Point	L-(H1+H2)	Total Length	Back Focus	Second Principal Point	Entrance Pupil Diameter	Entrance Pupil Position	Exit pupil Diameter	Exit pupil Position	Distortion	Extension	Length
		f	H1	H2	ΔH	L	B	I		ENP		EXP			d
TEC-V7X	Tele	106.26	-136.10	12.50	-134.50	122.40	39.53	161.93	53.64	375.00	16.50	38.96	1.00	-	166.39
	Wide	47.65	-143.10	110.50	-33.21	112.10	49.78	161.91	11.00	126.90	16.50	38.96	-1.70	-	166.39

*First Principal Point and Entrance Pupil Position are calculated from front lens
 *Second Principal Point and Exit Pupil Position are calculated from rear lens

TEC-V7X Field of view(mm)

Working Distance (mm)	Optical Magnification	1.1 inch			1 inch			2/3 inch			
		H	V	D	H	V	D	H	V	D	
182	Wide	0.2525	48.74	48.74	69.12	50.32	38.06	63.28	34.88	26.16	43.6
	Middle	0.3643	33.64	33.64	47.33	34.72	26.3	43.6	24.12	18.1	30.11
	Tele	0.5	24.6	24.6	34.75	25.4	19.246	31.88	17.65	13.26	22
200	Wide	0.2258	54.52	54.52	76.94	56.3	42.56	70.84	39	29.24	48.76
	Middle	0.3258	37.62	37.62	52.95	38.83	29.4	48.78	26.96	20.24	33.67
	Tele	0.4451	27.5	27.5	38.68	28.38	21.51	35.64	19.72	14.81	24.62
300	Wide	0.1413	87.48	87.48	124.06	90.34	68.18	114.1	62.46	46.8	78.178
	Middle	0.2037	60.24	60.24	85.34	62.18	47.06	78.18	42.15	32.38	53.898
	Tele	0.2784	44	44	61.94	45.42	34.3	57.46	31.55	23.69	39.38
400	Wide	0.1037	119.47	119.47	169.98	123.4	93.02	156.05	85.2	63.82	106.71
	Middle	0.1495	82.15	82.15	115.97	84.8	64.16	106.72	58.82	44.12	73.48
	Tele	0.2042	59.99	59.99	84.52	61.92	46.89	77.82	43	32.28	53.7
500	Wide	0.082	151.25	151.24	215.44	156.25	117.67	197.8	107.78	80.68	135.04
	Middle	0.1183	103.92	103.92	146.82	107.28	81.12	135	74.37	55.78	92.94
	Tele	0.1617	75.84	75.84	106.89	78.29	59.28	98.4	54.36	40.8	67.88
577.5	Wide	0.0708	175.21	175.21	250.66	181.4	136.35	229.82	125.08	93.62	156.76
	Middle	0.102	120.57	120.57	170.44	124.47	94.1	156.74	86.28	64.72	107.84
	Tele	0.1398	87.99	87.99	124.04	90.8	68.75	114.16	63.06	47.32	78.74

Specifications are subject to change without notice.



CBC (AMERICA) Corp

NEW YORK: 55 MALL DRIVE COMMACK, NY 11725 • TEL: 1 (800) 422-6707 • (631) 864-9700 • FAX: (631) 543-5426
 CALIFORNIA: 20521 EARL STREET TORRANCE, CA 90503 • TEL: 1 (800) 888-0131 • (310) 793-1500 • FAX: (310) 793-1506
www.computarganz.com © 2010 CBC (AMERICA) Corp. All Rights Reserved. (2010.05)