

XNB-6005

2M Network Camera (extraLUX)



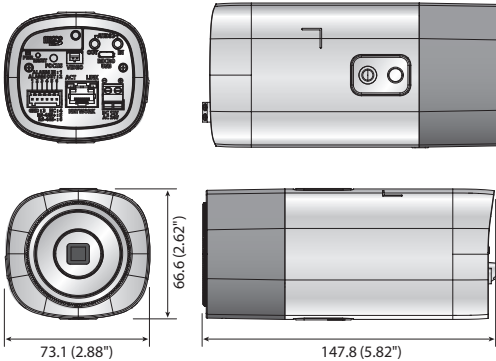
* Lens not included

Key Features

- extraLUX (world's best low light camera)
- Max. 2Megapixel (1920 x 1080) resolution
- 0.006 Lux@F1.2 (Color), 0.0006 Lux@F1.2 (B/W)
- Max. 60fps@all resolutions (H.265 / H.264)
- H.265, H.264, MJPEG codec Supported, Multiple streaming
- Day & Night (ICR), WDR (150dB), Defog
- Digital image stabilization with built-in Gyro sensor
- Loitering, Directional detection, Fog detection, Audio detection, Digital auto tracking, Sound classification, Tampering
- Motion detection, Handover
- SD / SDHC / SDXC memory slot (Max. 512GB)
- Hallway View, WiseStreamII Support
- LDC, PoE / 24V AC, 12V DC, Bi-directional audio Support

Dimensions

Unit : mm (inch)



Accessories (Optional)



XNB-6005	
VIDEO	
Imaging Device	1/2" 2.17M CMOS
Total Pixels	1,952(H) x 1,113(V) approx 2.17M pixels
Effective Pixels	1,945(H) x 1,097(V) approx 2.13M pixels
Scanning System	Progressive Scan
Min. Illumination	Color : 0.006 Lux (1/30sec, F1.2), B/W : 0.0006 Lux (1/30sec, F1.2)
S / N Ratio	50dB
Video Out	CVBS : 1.0Vpp / 75Ω composite, 720 x 480(N), 720 x 576(P), for Installation USB : Micro USB Type B, 1280 x 720 for Installation
LENS	
Focus Control	Simple focus / Manual, Remote control via network, Button control (Simple focus)
Lens Type	Manual, DC Auto Iris, P-Iris, i-CS
Mount Type	C / CS
OPERATIONAL	
Camera Title	Off / On (Displayed up to 85 Characters) - W/W : English / Numeric / Special Characters - China : English / Numeric / Special / Chinese Characters - Common : Multi-line (Max. 5), Color (Gray / Green / Red / Blue / Black / White), Transparency, Auto scale by Resolution
Day & Night	Auto (ICR) / Color / B/W / External / Schedule
Backlight Compensation	Off / BLC / HLC / WDR
Wide Dynamic Range	150dB
Contrast Enhancement	SSDR (Off / On)
Digital Noise Reduction	SSNRV (2D + 3D Noise filter) (Off / On)
Digital Image Stabilization	Off / On (Built-in Gyro sensor)
Defog	Off / Auto / Manual
Motion Detection	Off / On (8ea, 8point polygonal zones), Handover
Privacy Masking	Off / On (32ea, polygonal zones) - Color : Gray / Green / Red / Blue / Black / White - Mosaic
Gain Control	Off / Low / Middle / High / Manual
White Balance	ATW / AWC / Manual / Indoor / Outdoor / Mercury / Sodium
LDC (Lens Distortion Correction)	Off / On (5 Levels with min / max)
Electronic Shutter Speed	Minimum / Maximum / Anti Flicker (2 ~ 1/12,000sec)
Digital PTZ	24x, Digital PTZ (Preset_Group)
Flip / Mirror	Off / On, Hallway View : 90°/270°
Video & Audio Analytics	Tampering, Loitering, Directional detection, Defocus detection, Fog detection, Virtual line, Enter/Exit, (Dis) Appear, Audio detection, Face detection, Motion detection, Digital auto tracking, Sound classification
Alarm I/O	Input 1ea / Output 1ea
Remote Control Interface	RS-485 / 422
RS-485 Protocol	Samsung-T/E, Pelco-D/P, Panasonic, Honeywell, AD, Vicon, GE, Bosch, Sungjin
Alarm Triggers	Alarm Input, Motion detection, Video & Audio Analytics, Network disconnect
Alarm Events	File upload Via FTP, E-Mail, Notification via e-mail, Local storage (SD / SDHC / SDXC) or NAS recording at event triggers, External output, DPTZ preset
Pixel Counter	Support
NETWORK	
Ethernet	RJ-45 (10/100 BASE-T)
Video Compression Format	H.265 / H.264 (MPEG-4 part 10/AVC) : Main / Baseline / High, MJPEG
Resolution	1920 x 1080, 1280 x 1024, 1280 x 960, 1280 x 720, 1024 x 608, 800 x 608, 800 x 448, 720 x 576, 720 x 480, 640 x 480, 640 x 360, 320 x 240
Max. Frame Rate	H.265 / H.264 : Max. 60fps at all resolutions, MJPEG : Max. 30fps
Smart Codec	Manual Mode (Area-based : 5ea)
WiseStreamII	Support
Video Quality Adjustment	H.265 / H.264 / MJPEG : Target Bitrate Level Control
Bitrate Control Method	H.265 / H.264 : CBR or VBR, MJPEG : VBR
Streaming Capability	Multiple streaming (Up to 10 Profiles)
Audio In	Selectable (Mic in / Line in), Built-in MIC Supply voltage : 2.5V DC (4mA), Input Impedance : Approx. 2K Ohm
Audio Out	Line out (3.5mm mono jack), Max output level : 1Vrms
Audio Compression Format	G.711 u-law/G.726 Selectable, G.726 (ADPCM) 8KHz, G.711 8KHz G.726 : 16Kbps, 24Kbps, 32Kbps, 40Kbps, AAC-LC : 48Kbps at 8 / 16 / 32 / 48KHz
Audio Communication	Bi-directional (2-way)
IP	IPv4, IPv6
Protocol	TCP/IP, UDP/IP, RTP (UDP), RTP (TCP), RTCP, RTSP, NTP, HTTP, HTTPS, SSL/TLS, DHCP, PPPoE, FTP, SMTP, ICMP, IGMP, SNMPv1/v2c/v3 (MIB-2), ARP, DNS, DDNS, QoS, PIM-SM, UPnP, Bonjour
Security	HTTPS (SSL) Login authentication, Digest login authentication, IP address filtering, User access log, 802.1X Authentication (EAP-TLS, EAP-LEAP)
Streaming Method	Unicast / Multicast
Max. User Access	20 Users at Unicast Mode
Edge Storage	SD/SDHC/SDXC 2slot (up to 512 GB) - Continuous recording (1'st slot to 2'nd slot) - Motion Images recorded in the SD/SDHC/SDXC memory card can be downloaded. NAS (Network Attached Storage), Local PC for Instant recording
Application Programming Interface	ONVIF profile S/G, SUNAPI (HTTP API), Open Platform
Webpage Language	English, Korean, Chinese, French, Italian, Spanish, German, Japanese, Russian, Swedish, Portuguese, Czech, Polish, Turkish, Dutch, Hungarian, Greek
Web Viewer	Supported OS : Windows 7, 8, 10, Mac OS X 10.10, 10.11, 10.12 Non-plugin Web Viewer - Supported Browser : Google Chrome 56, MS Edge 39, Mozilla Firefox 61 (Window 64bit only), Apple Safari 10 (Mac OS X only) Plug-in Web Viewer - Supported Browser : MS Explore 11, Apple Safari 10 (Mac OS X only)
SmartViewer	SmartViewer
CENTRAL MANAGEMENT SOFTWARE	
ENVIRONMENTAL	
Operating Temperature / Humidity	-10°C ~ +55°C (+14°F ~ +131°F) / Less than 90% RH
Storage Temperature / Humidity	-30°C ~ +60°C (-22°F ~ +140°F) / Less than 90% RH
ELECTRICAL	
Input Voltage / Current	24V AC ±10%, 12V DC ±10%, PoE (IEEE802.3af, Class3)
Power Consumption	Max. 9W (24V AC), Max. 8W (12V DC), Max. 8.5W (PoE)
MECHANICAL	
Color / Material	Black, Ivory / Plastic
Dimensions (WxHxD)	73.1 x 66.6 x 147.8mm (2.88" x 2.62" x 5.82")
Weight	420g (0.93 lb)

* The latest product information / specification can be found at hanwha-security.com
* Design and specifications are subject to change without notice.