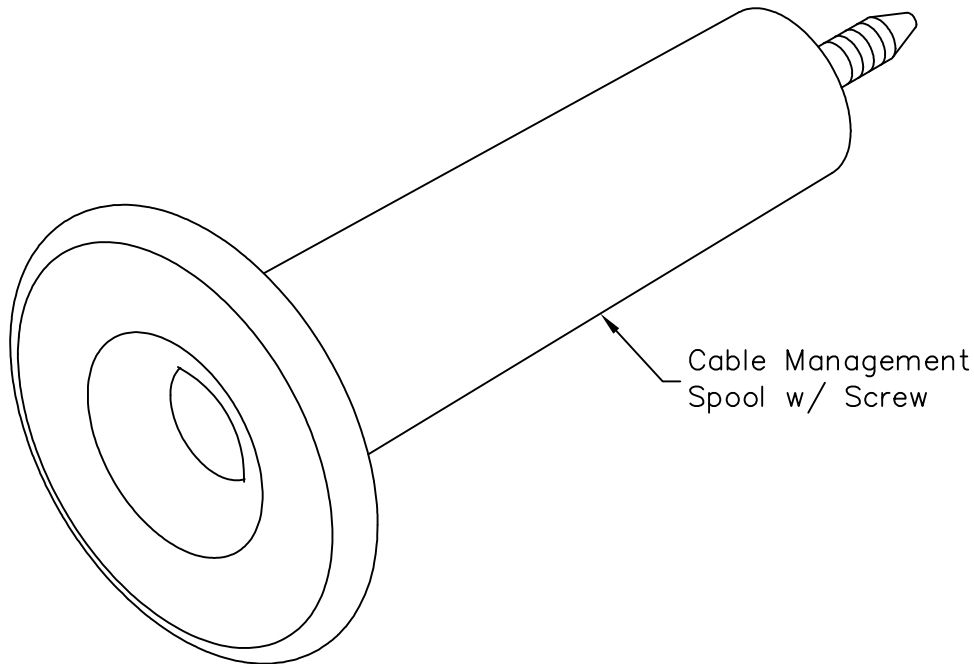


Cable Management Spool With Screw

PRODUCT SPECIFICATION

Package includes:

- A. Cable Management Spool w/ Screw, 10 pcs



Features and Benefits:

- Designed to retain and guide cables allowing quick and easy access for changes
- Comes with wood screw for wall mounting
- ANSI/TIA-568-C and UL 1863 compliant

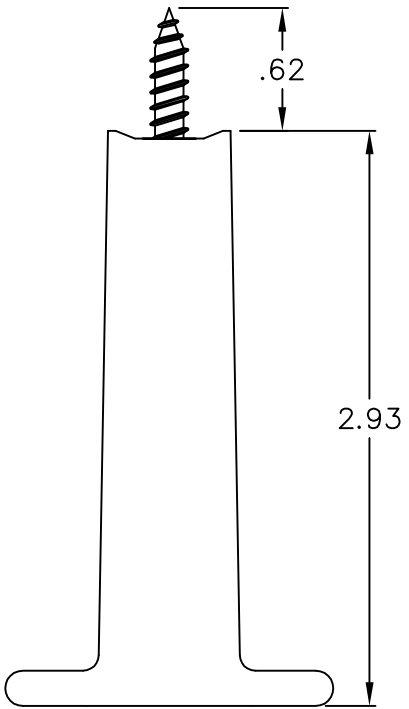
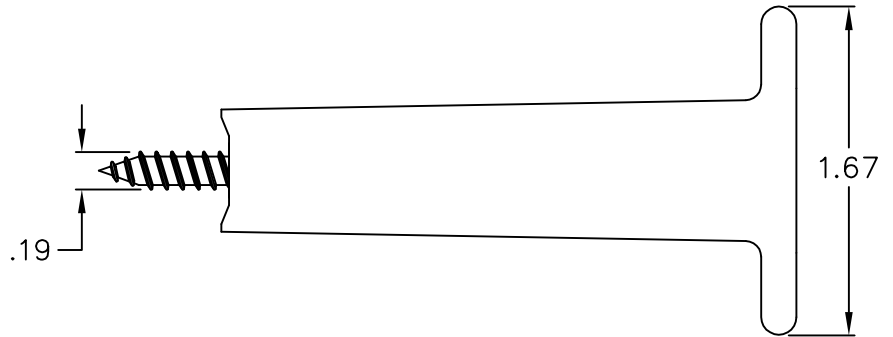
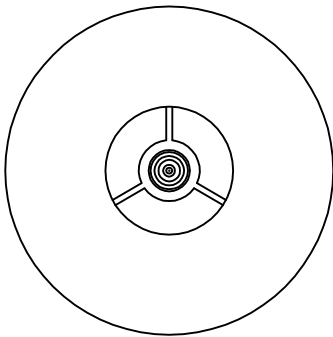
CABLE MGMT SPOOL W/ SCREW, 10 PK

ITEM NO.	ICACSWDS20
DWG NO.	PSACSWDS20

REV.	A
PAGE NO.	1



CUSTOMER CARE / TECHNICAL SUPPORT * CSR@ICC.COM / 888-ASK-4-ICC (275-4422) * 2100 E. Valencia Dr, Suite D, Fullerton, CA 92831 * www.icc.com



NOTE: UNLESS OTHERWISE SPECIFIED

1. MATERIAL:

A. CABLE MANAGEMENT SPOOL: ABS, UL 94V-0

B. INSERT SCREW: SAE 1010, ZINC PLATING

2. COLOR: WHITE

UL US FILE NO. 125268

CABLE MGMT SPOOL W/ SCREW, 10 PK			
ITEM NO.	ICACSWDS20		REV. A
DWG NO.	PSACSWDS20		PAGE NO. 2

CUSTOMER CARE / TECHNICAL SUPPORT * CSR@ICC.COM / 888-ASK-4-ICC (275-4422) * 2100 E. Valencia Dr, Suite D, Fullerton, CA 92831 * www.icc.com