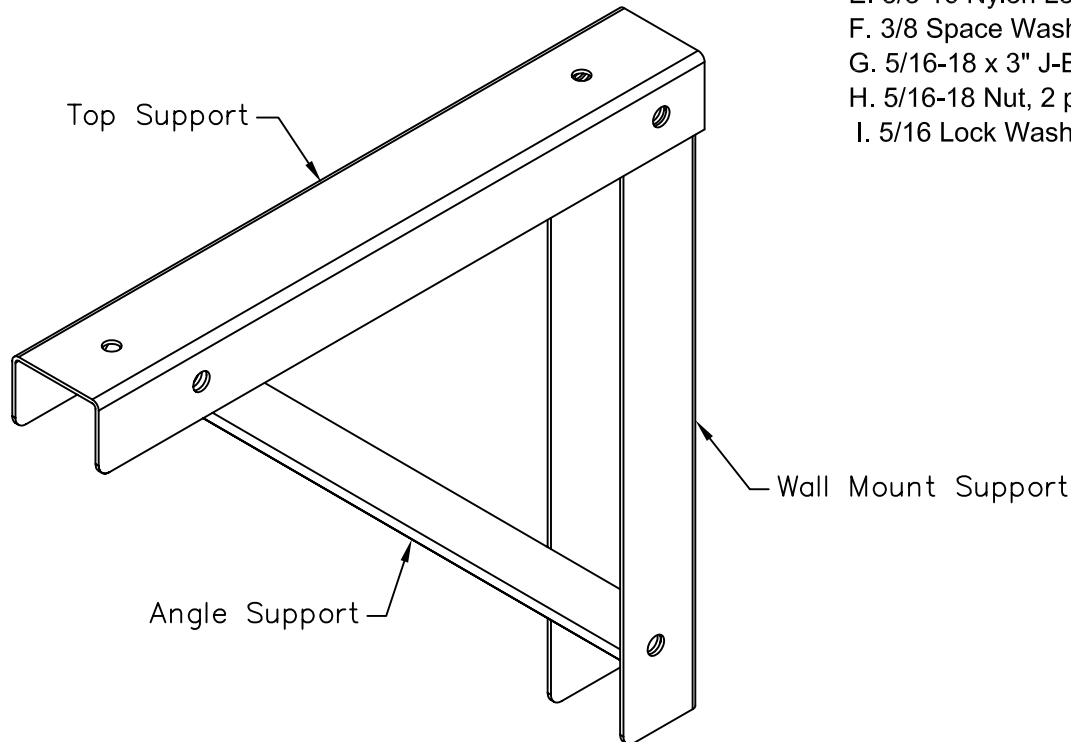


Wall Support Triangle Runway Kit

PRODUCT SPECIFICATION


Package includes:

- A. Top Support, 1 pc
- B. Wall Mount Support, 1 pc
- C. Angle Support, 1 pc
- D. 3/8-16 x 2 1/4" Bolt, 3 pcs
- E. 3/8-16 Nylon Lock Nut, 3 pcs
- F. 3/8 Space Washer, 3 pcs
- G. 5/16-18 x 3" J-Bolt, 2 pcs
- H. 5/16-18 Nut, 2 pcs
- I. 5/16 Lock Washer, 2 pcs

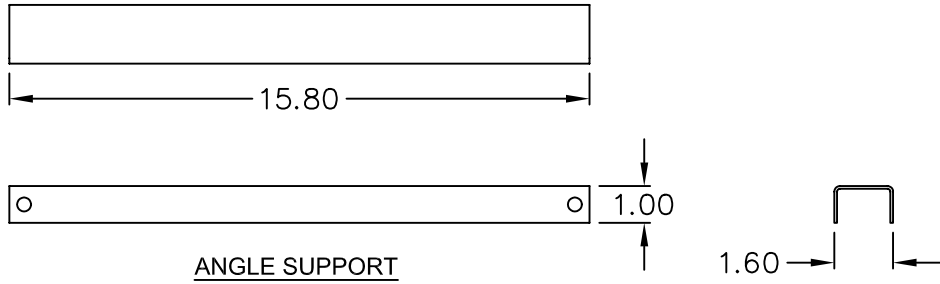
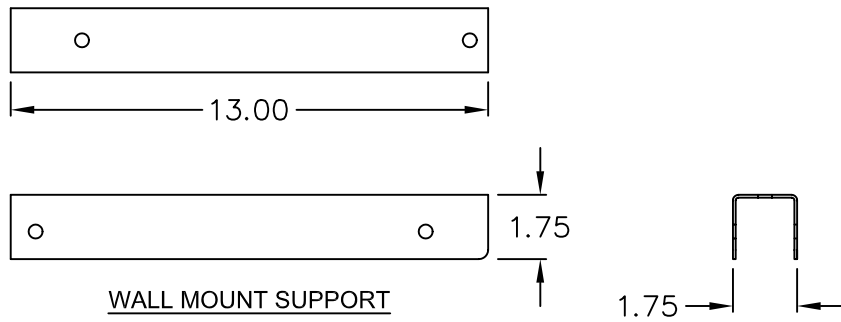
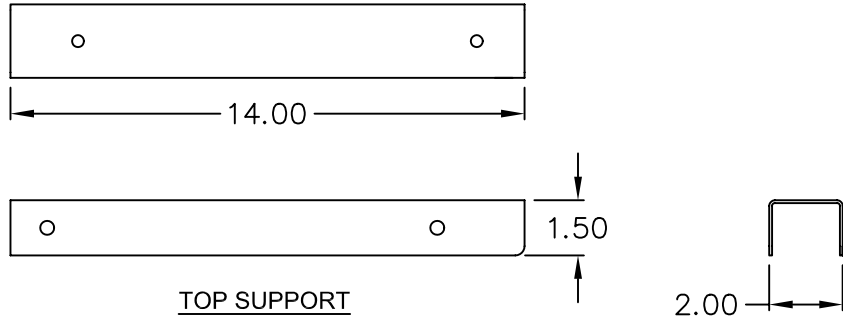


Features and Benefits:

- Designed with durable steel construction, black textured powder coated, providing strength and stability for long lasting use
- Designed to form a triangle wall mounting support after assembly and hold ladder rack runways parallel to the wall
- Used with ICCMSLST ladder rack runways


RUNWAY KIT, WALL SUPPORT TRIANGLE			 Premium Products Proven Performance Competitive Prices
ITEM NO.	ICCMSLTWSK	REV. B	
DWG NO.	PSCMSLTWSK	PAGE NO. 1	

CUSTOMER CARE / TECHNICAL SUPPORT * CSR@ICC.COM / 888-ASK-4-ICC (275-4422) * 14700 Alondra Blvd., La Mirada, CA 90638 * www.icc.com



NOTE: UNLESS OTHERWISE SPECIFIED

1. MATERIAL: 14 GA CRS
2. SURFACE FINISH: BLACK TEXTURED POWDER COAT

RUNWAY KIT, WALL SUPPORT TRIANGLE			 <i>PremiumProducts</i> <i>ProvenPerformance</i> <i>CompetitivePrices</i>
ITEM NO.	ICCMSLTWSK	REV. B	
DWG NO.	PSCMSLTWSK	PAGE NO. 2	

CUSTOMER CARE / TECHNICAL SUPPORT * CSR@ICC.COM / 888-ASK-4-ICC (275-4422) * 14700 Alondra Blvd., La Mirada, CA 90638 * www.icc.com