

## Overview

The Dotworkz D2-HB-POE-HP is an engineered outdoor housing system that is designed to allow most indoor PTZ & mini-dome camera models to allow for quick installation via Ultra High Powered PoE++ (80W) housing solution into a complete rugged outdoor system solution. Up to 80W or equivalent VA of Internal power available to create a plug and play POD solution to power camera and accessories in a all in one housing, \*when used with a compatible 100 Watt PoE Inserter Midspan. Virtually Indestructible housing solution for the a wide array of harsh environments. IP68 NEMA 4X ingress protection of housing, provides the highest levels of protection from water, dust, marine, and vandal abuse.

## Key Features

- Designed to Simplify Powering of Housing using one Ethernet Cable for Power and Data, via Ultra High Power PoE (when using a 100W injector provides for max load)
- Internal Power output for 12V DC @ 25W; or 24V AC up to 60VA+ available for camera & Accessory powering (maximum system rated to 80W, including Heater)
- External RJ-45 Quick Connect (IP67 connector) for quick installation
- Integrated Thermostatically controlled direct Lens Heater for dome bubble
- Integrated 10 CFM Blower fan
- Enough 12 VDC or 24 VAC to Power most PTZ's, with room & power for camera and other accessories to create a Ethernet PoE++ powered POD
- Vandal Tough Housing protection
- External IP rated Ethernet Quick Connect Integrated
- Easy Access / Easy Install of customer supplied camera

## Applications

Easily Integrate camera and housing into a wide range of outdoor applications via PoE Power, to allow camera and housing to be powered by a single Cat 5e/ Cat6 Ethernet cable. Extra heavy duty Dotworkz Housing is wall mount ready. The EZ Lock Pole & Speedy mount (# BR-MPM1) is available & sold separately for additional mounting options, as well as corner, parapet, and a whole line of other specialty mount brackets are available, sold separately, for virtually any mounting needs. Good for commercial, Industrial, remote, coastal, and wide range of environmentally challenging installation.

## Shipping Specifications

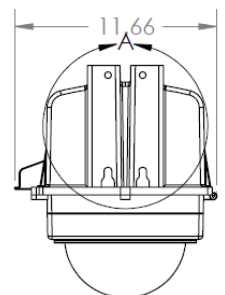
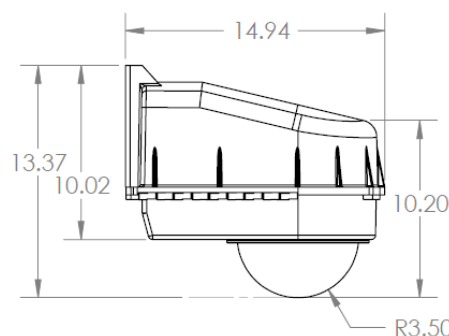
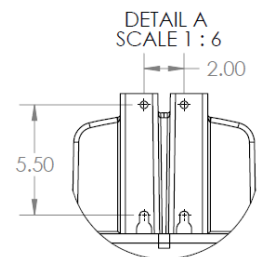
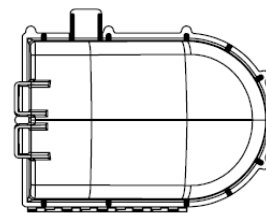
Product Number	Product Weight	Product Dimensions
D2-HB-POE-HP	8.5 lbs	15.0"l x 11.7"w x 13.4"h
	Shipping Weight	Shipping Dimensions
	13 lbs	17"l x 13"w x 16"h

## Product Attributes

- Single External Ethernet Cable powering housing solution via PoE using 802.3-at compliant power negotiation for PoE++ Power injectors
- Vandal Tough casing designed to protect valuable electronics from environment, vandalism, and theft
- Housing meets IP68 rating: Airtight and sealed against outside air, dust, insects, water / salt fog and other conditions
- Internal mounting space for most indoor PTZ or dome cameras; nearly all makes and models, plus a number of accessories, including Micro-NVR's, Switches, & Hubs



*Combines the New IP 68 seal protection level with the ease of PoE installation*



\*Product specifications are subject to change without notice