

Video Network Station

Installation Manual

Before operating the unit, please read this manual thoroughly and retain it for future reference.

IPELA

SNT-RS1U SNT-RS3U

<http://www.sony.net/>

© 2009 Sony Corporation Printed in China

Owner's Record

Model and serial numbers located

SNT-RS1U : bottom
SNT-RS3U : side

Record these numbers in the spaces provided below.

Refer to these numbers whenever you call upon your Sony dealer regarding this product.

Model No. _____ Serial No. _____

WARNING

To reduce a risk of fire or electric shock, do not expose this product to rain or moisture.

To avoid electrical shock, do not open the cabinet. Refer servicing to qualified personnel only.

WARNING

This installation should be made by a qualified service person and should conform to all local codes.

CAUTION

The rating label is located on the bottom (SNT-RS1U only).

CAUTION

These servicing instructions are for use by qualified personnel only. To reduce the risk of electric shock, do not perform any servicing other than that contained in the Operating Instructions unless you are qualified to do so.

Refer all servicing to qualified service personnel.

WARNING

THIS APPARATUS MUST BE EARTHED.

WARNING

This unit has no power switch.

When installing the unit, incorporate a readily accessible disconnect device in the fixed wiring, or connect the power plug to an easily accessible socket-outlet near the unit.

If a fault should occur during operation of the unit, operate the disconnect device to switch the power supply off, or disconnect the power plug.

WARNING

Using this unit at a voltage other than 120 V may require the use of a different line cord or attachment plug, or both. To reduce the risk of fire or electric shock, refer servicing to qualified service personnel.

Attention-when the product is installed in Rack:

1 Prevention against overloading of branch circuit

When this product is installed in a rack and is supplied power from an outlet on the rack, please make sure that the rack does not overload the supply circuit.

2 Providing protective earth

When this product is installed in a rack and is supplied power from an outlet on the rack, please confirm that the outlet is provided with a suitable protective earth connection.

3 Internal air ambient temperature of the rack

When this product is installed in a rack, please make sure that the internal air ambient temperature of the rack is within the specified limit of this product.

4 Prevention against achieving hazardous condition due to uneven mechanical loading

When this product is installed in a rack, please make sure that the rack does not achieve hazardous condition due to uneven mechanical loading.

5 Install the equipment while taking the operating temperature of the equipment into consideration

For the operating temperature of the equipment, refer to the specifications of the Operation Manual.

6 When performing the installation, keep the following space away from walls in order to obtain proper exhaust and radiation of heat.

Rear: 10 cm (4 inches) or more.

Right, Left: 4 cm (1.6 inches) or more.

When installing the installation space must be secured in consideration of the ventilation and service operation.

- Do not block the ventilation slots at the left side and right side panels, and vents of the fans.

- Leave a space around the unit for ventilation.
- Leave more than 10 cm of space in the rear of the unit to secure the operation area.

When the unit is installed on the desk or the like, leave at least 4 cm of space in the left and right sides.

WARNING

THIS WARNING IS APPLICABLE FOR USA ONLY.

If used in USA, use the UL LISTED power cord specified below. DO NOT USE ANY OTHER POWER CORD.

Plug Cap Parallel blade with ground pin

(NEMA 5-15P Configuration)

Cord Type SJT, three 16 or 18 AWG wires

Length Minimum 1.5 m (4 ft. 11 in.),

Less than 2.5 m (8 ft. 3 in.)

Rating Minimum 10A, 125V

Using this unit at a voltage other than 120V may require the use of a different line cord or attachment plug, or both.

To reduce the risk of fire or electric shock, refer servicing to qualified service personnel.

WARNING

THIS WARNING IS APPLICABLE FOR OTHER COUNTRIES.

- Use the approved Power Cord (3-core mains lead) / Appliance Connector / Plug with earthing-contacts that conforms to the safety regulations of each country if applicable.
- Use the Power Cord (3-core mains lead) / Appliance Connector / Plug conforming to the proper ratings (Voltage, Ampere).

If you have questions on the use of the above Power Cord / Appliance Connector / Plug, please consult a qualified service personnel.

NOTICE

Use the power cord set approved by the appropriate testing organization for the specific countries where this unit is to be used.

For kundene i Norge

Dette utstyret kan kobles til et IT-strømfordelingssystem.

For the customers in the U.S.A.

This equipment has been tested and found to comply with the limits for a Class A digital device, pursuant to Part 15 of the FCC Rules. These limits are designed to provide reasonable protection against harmful interference when the equipment is operated in a commercial environment. This equipment generates, uses, and can radiate radio frequency energy and, if not installed and used in accordance with the instruction manual, may cause harmful interference to radio communications. Operation of this equipment in a residential area is likely to cause harmful interference in which case the user will be required to correct the interference at his own expense.

You are cautioned that any changes or modifications not expressly approved in this manual could void your authority to operate this equipment.

All interface cables used to connect peripherals must be shielded in order to comply with the limits for a digital device pursuant to Subpart B or Part 15 of FCC Rules.

This device complies with Part 15 of the FCC Rules. Operation is subject to the following two conditions: (1) This device may not cause harmful interference, and (2) this device must accept any interference received, including interference that may cause undesired operation.

For customers in Canada

This Class A digital apparatus complies with Canadian ICES-003.

Cet appareil numérique de la classe A est conforme à la norme NMB-003 du Canada.

For the customers in Europe

The manufacturer of this product is Sony Corporation, 1-7-1 Konan, Minato-ku, Tokyo, Japan.

The Authorized Representative for EMC and product safety is Sony Deutschland GmbH, Hedelfinger Strasse 61, 70327 Stuttgart, Germany. For any service or guarantee matters please refer to the addresses given in separate service or guarantee documents.

For the customers in Europe, Australia and New Zealand

WARNING

This is a Class A product. In a domestic environment, this product may cause radio interference in which case the user may be required to take adequate measures.

In the case that interference should occur, consult your nearest authorized Sony service facility.

This apparatus shall not be used in the residential area.

Notes on Use

Before Use

If you find condensation when you open the package, turn on the power after leaving it for about 60 minutes.

Data and security

- You should keep in mind that the images or audio you are monitoring may be protected by privacy and other legal rights, and the responsibility for making sure you are complying with applicable laws is yours alone.
- Access to the images and audio is protected only by a user name and the password you set up. No further authentication is provided nor should you presume that any other protective filtering is done by the service. Since the service is Internet-based, there is a risk that the image or audio you are monitoring can be viewed or used by a third-party via the network.
- SONY IS NOT RESPONSIBLE, AND ASSUMES ABSOLUTELY NO LIABILITY TO YOU OR ANYONE ELSE, FOR SERVICE INTERRUPTIONS OR DISCONTINUATIONS OR EVEN SERVICE CANCELLATION. THE SERVICE IS PROVIDED AS-IS, AND SONY DISCLAIMS AND EXCLUDES ALL WARRANTIES, EXPRESS OR IMPLIED, WITH RESPECT TO THE SERVICE INCLUDING, BUT NOT LIMITED TO, ANY OR ALL IMPLIED WARRANTIES OF MERCHANTABILITY, FITNESS FOR A PARTICULAR PURPOSE, OR THAT IT WILL OPERATE ERROR-FREE OR CONTINUOUSLY.
- Security configuration is essential for wireless LAN. Should a problem occur without setting security, or due to the limitation of the wireless LAN specifications, SONY shall not be liable for any damage, loss of recorded data or restoration thereof.
- Always make a test recording, and verify that it was recorded successfully. SONY WILL NOT BE LIABLE FOR DAMAGES OF ANY KIND INCLUDING, BUT NOT LIMITED TO, COMPENSATION OR REIMBURSEMENT ON ACCOUNT OF FAILURE OF THIS UNIT OR ITS RECORDING MEDIA, EXTERNAL STORAGE SYSTEMS OR ANY OTHER MEDIA OR STORAGE SYSTEMS TO RECORD CONTENT OF ANY TYPE.
- Always verify that the unit is operating properly before use. SONY WILL NOT BE LIABLE FOR DAMAGES OF ANY KIND INCLUDING, BUT NOT LIMITED TO, COMPENSATION OR REIMBURSEMENT ON ACCOUNT OF THE LOSS OF PRESENT OR PROSPECTIVE PROFITS DUE TO FAILURE OF THIS UNIT, EITHER DURING THE WARRANTY PERIOD OR AFTER EXPIRATION OF THE WARRANTY, OR FOR ANY OTHER REASON WHATSOEVER.
- If you lose data by using this unit, SONY accepts no responsibility for restoration of the data.

Personal information

- The images taken by the system using this device can identify individuals and thus they fall under "personal information" stipulated in the "Act on the Protection of Personal Information". Please handle the video data appropriately according to law.
- Information recorded using this product may also be "personal information". Upon disposal, transfer, repair, or any other occasion where this product or storage media is passed on to a third party, practice due care in its handling.

Operating or storage location

Avoid operating or storing the unit in the following locations.

- Extremely hot or cold places (Operating temperature: 0 °C to +45 °C [32 °F to 113 °F])
- Exposed to direct sunlight for a long time, or close to heating equipment (e.g., near heaters)
- Close to sources of strong magnetism
- Close to sources of powerful electromagnetic radiation, such as radios or TV transmitters
- Locations subject to strong vibration or shock

Ventilation

To prevent heat buildup, do not block air circulation around the unit.

Transportation

When transporting the camera, repack it as originally packed at the factory or in materials of equal quality.

Cleaning

- Use a soft, dry cloth to clean the external surfaces of the unit. Stubborn stains can be removed using a soft cloth dampened with a small quantity of detergent solution, then wipe dry.
- Do not use volatile solvents such as alcohol, benzene or thinners as they may damage the surface finishes.

Please consult the store of purchase or authorized Sony dealer if there were troubles and anomalies.

About this product

This product is used by installing SNT-EX154 and/or SNT-EP154 units.

Mount multiple SNT-EX154 or SNT-EP154 boards in one unit to use as Video Network Station.

About the Supplied Manuals

Installation Manual (this document)

This Installation Manual describes the names and functions of parts and controls of the Video Network Station, gives connection examples and explains how to set up the unit. Be sure to read the Installation Manual before operating.

Note

Read this installation manual together with the installation manual of SNT-EX154 or SNT-EP154.

User's Guide (stored in the CD-ROM)

The User's Guide describes how to set up the Video Network Station and how to control the unit via a Web browser.

After installing and connecting the Video Network Station correctly, operate by referring to this User's Guide.

Using the CD-ROM Manuals

The supplied CD-ROM disc includes the User's Guides for this unit (Japanese, English, French, German, Spanish, Italian and Chinese versions) in PDF format.

Preparations

Adobe Reader Version 6.0 or higher must be installed on your computer in order to use the User's Guide stored in the CD-ROM disc.

Note

If Adobe Reader is not installed, it may be downloaded from the following URL: <http://www.adobe.com/>

Reading the manual in the CD-ROM

1 Insert the CD-ROM in your CD-ROM drive.

A cover page appears automatically in your Web browser.

If it does not appear automatically in the Web browser, double-click on the index.htm file on the CD-ROM.

2 Select and click on the manual that you want to read.

This opens the PDF file of the manual.

Clicking an item in the Table of Contents allows you jump to the relevant page.

Notes

- The files may not be displayed properly, depending on the version of Adobe Reader. In this case, install the latest version, which you can download from the URL mentioned in "Preparations" above.
- If you have lost or damaged the CD-ROM, you can purchase a replacement. Contact your Sony service representative.

Adobe and Acrobat Reader are trademarks of Adobe Systems Incorporated in the United States and/or other countries.

Location and Function of Parts

Front

A

1 Main power indicator

The indicator lights up in green when power is supplied to the unit.

SNT-RS3U has two main power indicators, A and B. Main power indicator B lights up when the (optional) redundant power supply unit (SNTA-RP1) is working.

By using the optional redundant power supply unit, the SNT-RS3U automatically switches the power source to the redundant power supply unit should an abnormal condition occur in the power unit, enabling stable operation of the system.

2 NETWORK indicator (green)

The indicator lights up or flashes in green when the unit is connected to the network. The indicator is off when the unit is not connected to the network.

3 POWER indicator (green)

When the SNT-EX154/SNT-EP154 (mounted on this unit) receives power, a system check is performed.

The indicator lights up when the unit is operating properly.

Rear

B

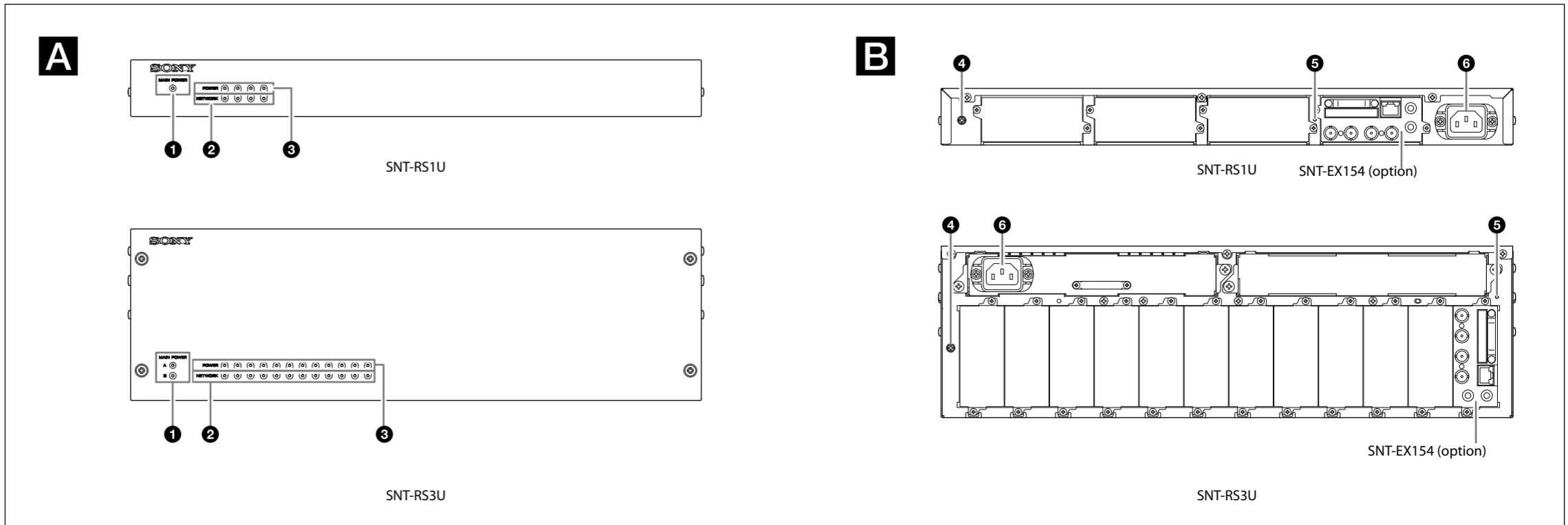
4 Ground

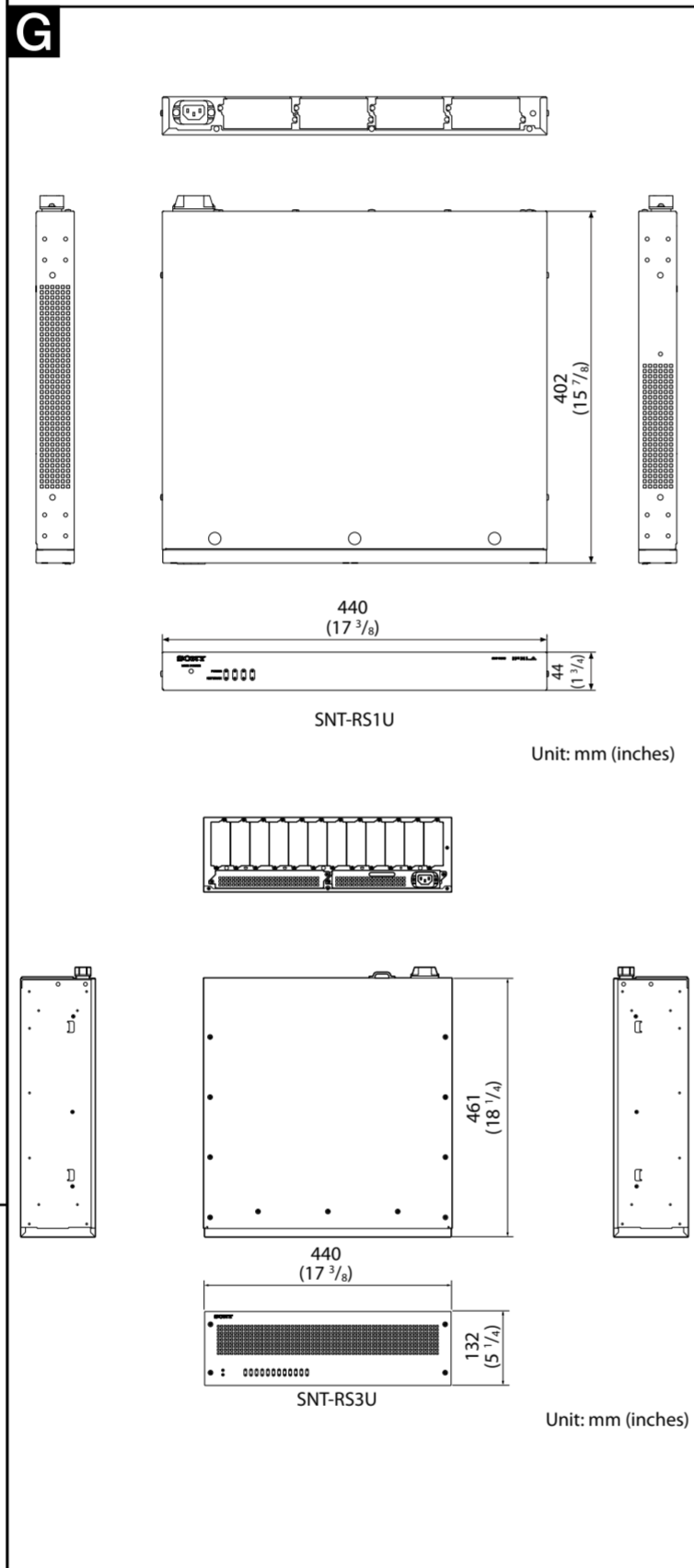
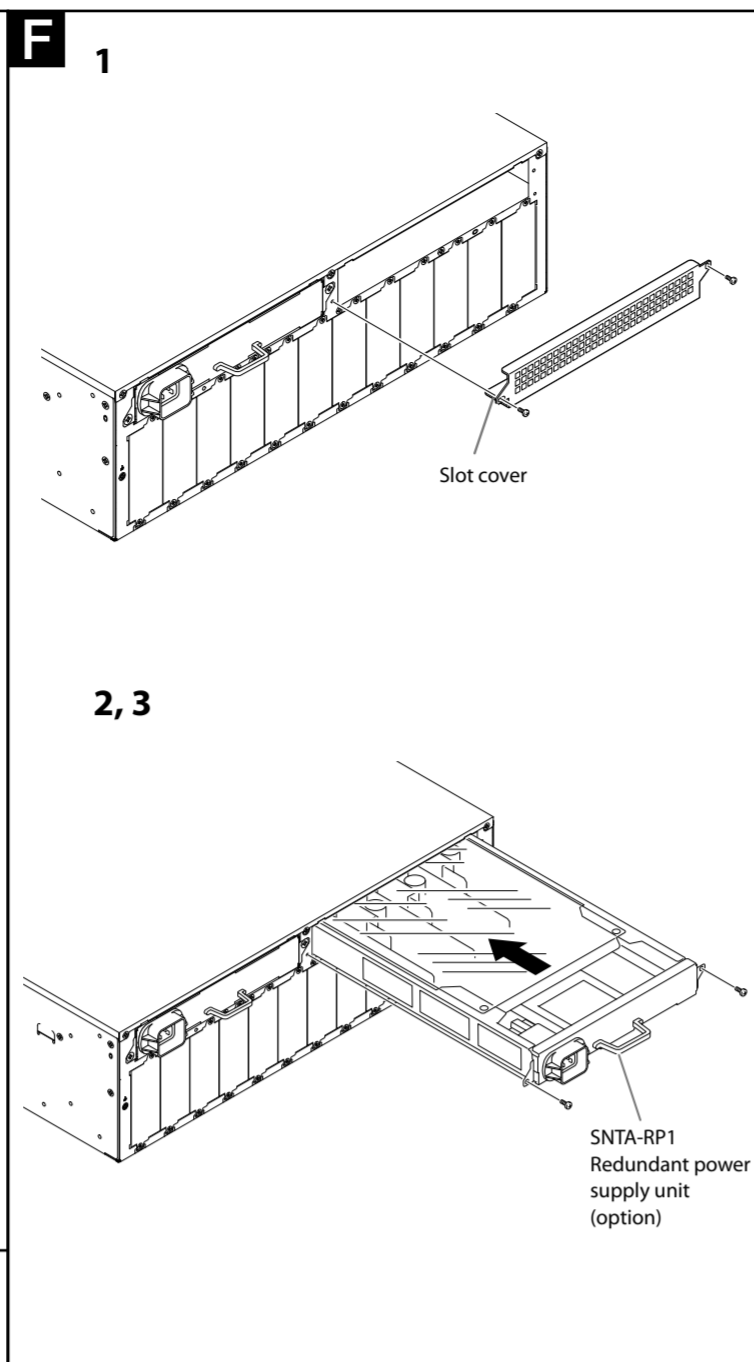
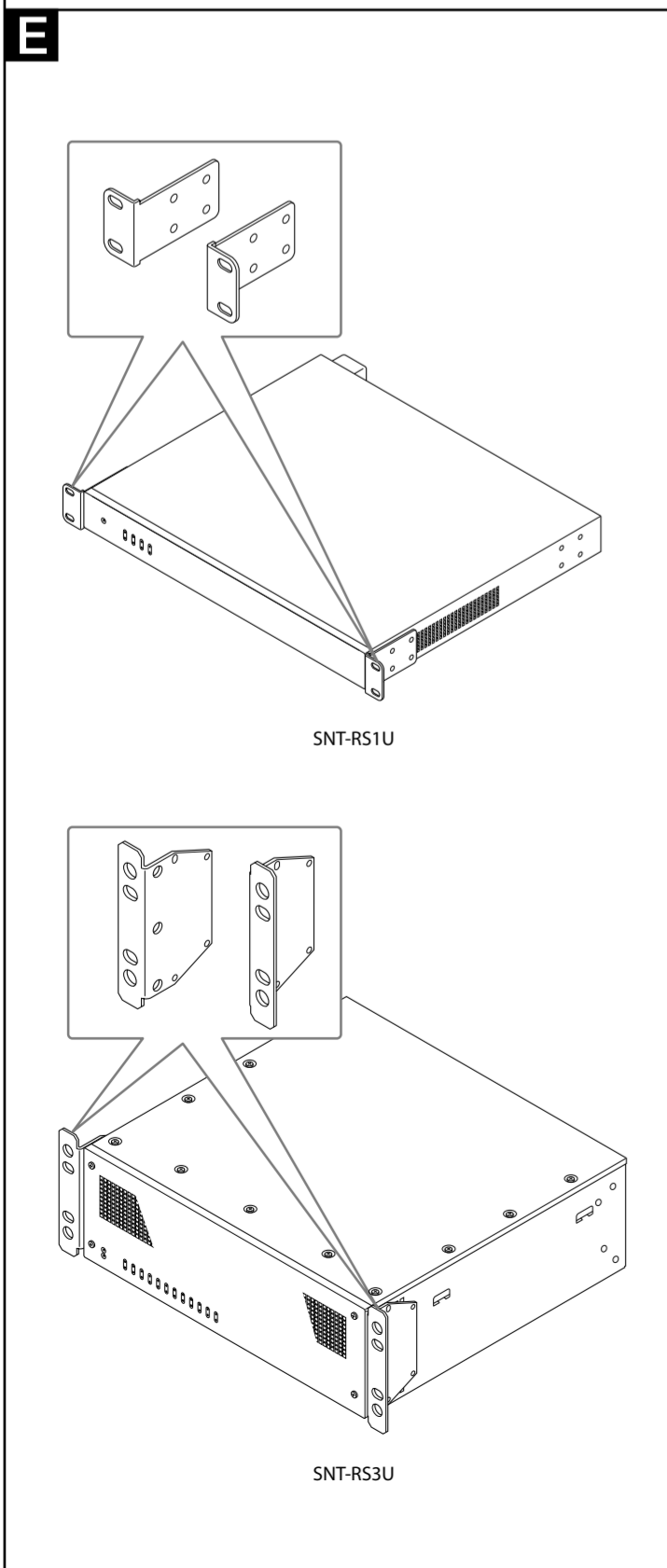
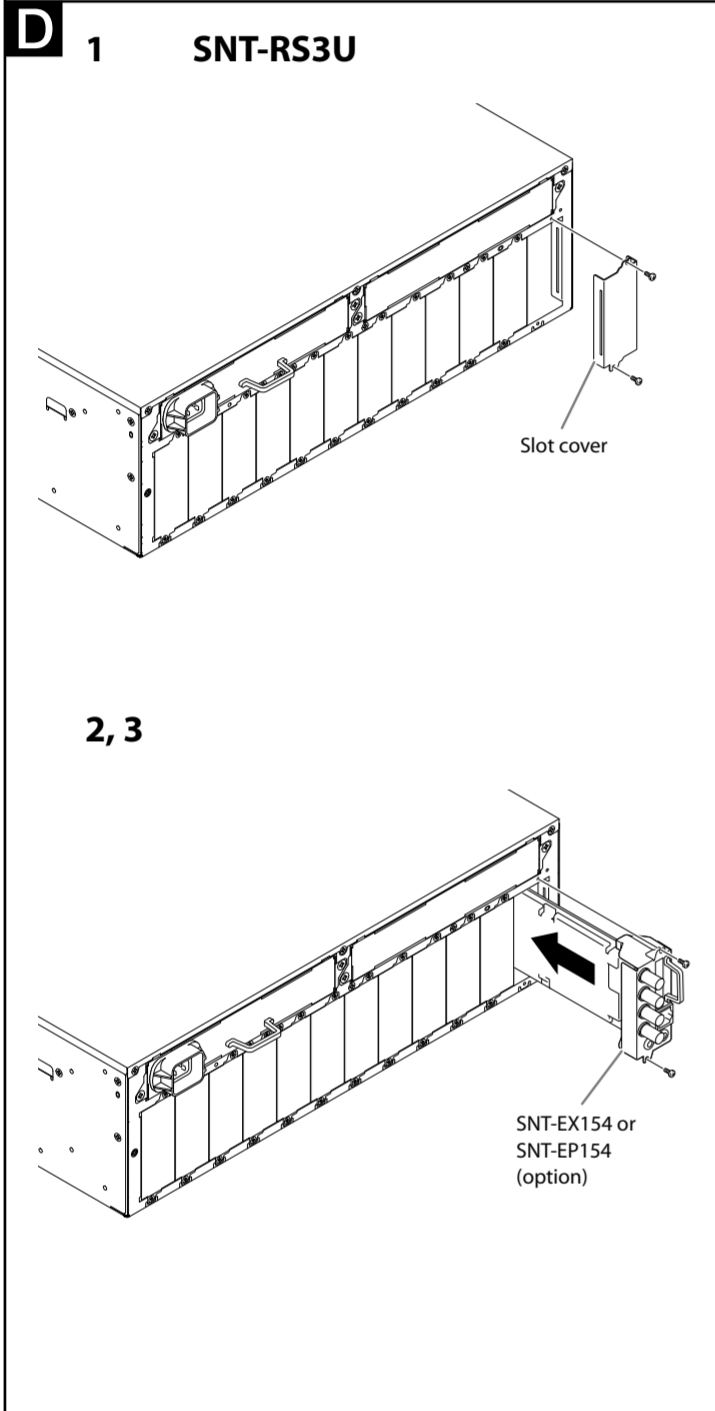
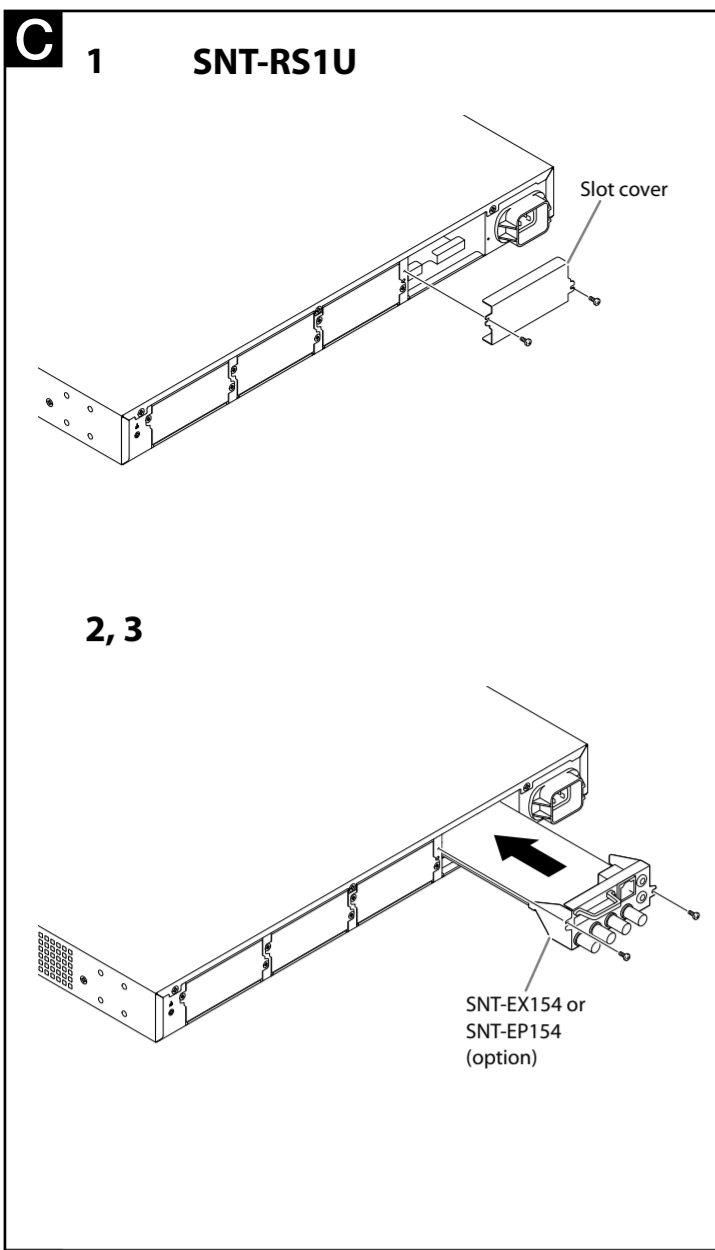
5 Reset switch

To reset the unit to the factory default settings, hold down this switch with a pointed object while power is being supplied to the unit.

6 Power connector

(continued on the reverse side)





Installation

You can mount a multiple number of either SNT-EX154 or SNT-EP154 in one unit. You can mount up to 4 SNT-EX154 or SNT-EP154 boards to an SNT-RS1U unit, and 12 SNT-EX154 or SNT-EP154 boards to an SNT-RS3U unit.

Mounting on SNT-RS1U

- 1 Remove the screws from the rear of the unit and remove the slot cover.
- 2 Insert the SNT-EX154 or SNT-EP154 into the slot.
- 3 Secure with the attachment screws.

Mounting on SNT-RS3U

- 1 Remove the screws from the rear of the unit and remove the slot cover.
- 2 Insert the SNT-EX154 or SNT-EP154 into the slot.
- 3 Secure with the attachment screws.

Attaching the rack mount brackets

Attach the rack mount brackets to both sides of the unit using the screws. The rack mount brackets can be attached to either the front or rear of the unit.

Note

When using the rack rail, use the rack mount kit (RMM-10). (SNT-RS3U only)

Attaching the redundant power supply unit (SNTA-RP1) (SNT-RS3U only)

- The redundant power supply unit can be attached to the SNT-RS3U only.
- 1 Remove the screws from the rear of the unit and remove the slot cover.
 - 2 Insert the redundant power supply unit into the slot.
 - 3 Secure with the attachment screws.

Specifications

Others

Power supply	100 V AC to 240 V AC 50/60Hz
Consumption current	SNT-RS1U: 0.7 A (100 V AC) to 0.3 A (240 V AC) × SNT-RS3U: 2.2 A (100 V AC) to 0.9 A (240 V AC) × × When installing the option.
Operating temperature	0 °C to +45 °C (32 °F to 113 °F)
Storage temperature	-20 °C to +60 °C (-4 °F to +140 °F)
Operating humidity	20% to 80%
Storage humidity	20% to 80%
Dimensions	SNT-RS1U: 440 × 44 × 402 mm (17 3/8 × 1 3/4 × 15 7/8 inches) (w/h/d) SNT-RS3U: 440 × 132 × 461 mm (17 3/8 × 5 1/4 × 18 1/4 inches) (w/h/d)
Mass	SNT-RS1U: Approx. 4.6 kg (10 lb 2 oz) SNT-RS3U: Approx. 10.7 kg (23 lb 8 oz)
Supplied accessories	CD-ROM (User's Guide and supplied programs) (1) Installation Manual (this document) (1) B&P Warranty Booklet (1) Rack mount brackets (2) Attachment screws (8) Power cord (1) Plug holder (1)

Design and specifications are subject to change without notice.

Recommendation of Periodic Inspections

In case using this device over an extended period of time, please have it inspected periodically for safe use. It may appear flawless, but the components may have deteriorated over time, which may cause a malfunction or accident. For details, please consult the store of purchase or an authorised Sony dealer.