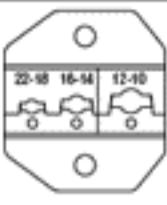
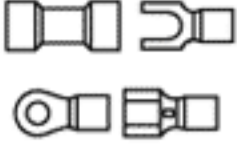


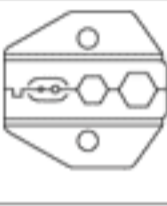
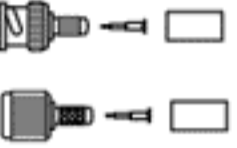

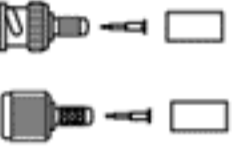
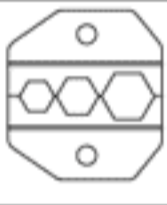




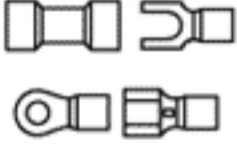

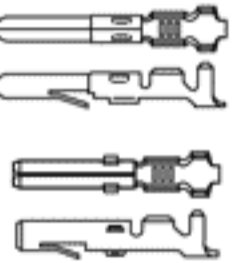
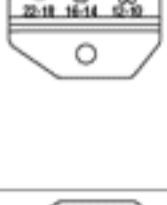

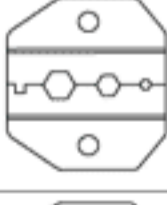
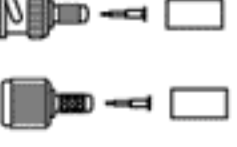
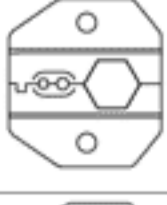
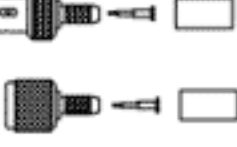


10" Euro Crimp Tool Dies and Applications

	Crimp	Part # Tool & Die/ Die only	Cable Types	Crimp Type/Sizes	Connector Types
		17001/17051	10-22 AWG Solid or Stranded	3 Cavity 22-18 AWG (.34-.75 mm ²) 16-14 AWG (1.5-2.5 mm ²) 12-10 AWG (4-6 mm ²)	Heavy Duty Insulated Terminals and Lugs
		17002/17052	8-22 AWG Solid or Stranded	4 Cavity 22-18 AWG (.34-.75 mm ²) 16-14 AWG (1.5-2.5 mm ²) 12-10 AWG (4-6 mm ²) 8 AWG (10 mm ²)	Non- Insulated Terminals
		17003/17053	RG59/6 Belden 8281/1694A	Hex .042, .068, .255, .324	BNC, TNC, HDTV
		17004/17054	RG58, RG59, RG62	Hex .068, .213, .255	BNC, TNC 3 Piece
		17005/17055	RG59, RG6	Hex .256, .315, .346	F Type, 1 & 2 Piece CATV
		17006/17056	RG6, RG6 Quad 8281, 1694A, 1695, 1505, 9259,9231	Hex .360, .324, .068	BNC, TNC, F Type
		17007/17057	22-10 AWG Solid or Stranded	3 Cavity 22-18 AWG (.34-.75 mm ²) 16-14 AWG (2.5-1.5 mm ²) 12-10 AWG (4-6 mm ²)	Standard Duty Commercial Insulated Terminals & Lugs
		17008/17058	22-10 AWG Stranded	3 Cavity 22-18 AWG (.34-.75 mm ²) 16-14 AWG (2.5-1.5 mm ²) 12-10 AWG (4-6 mm ²)	Commercial Pin & Socket Type Contacts, Open Barrel Contacts, Box Contacts
		17009/17059	RG174, 187, 188, 316 Mini Coaxial	Hex .178, .128, .068	SMA, SMB, Mini 59, BNC, TNC, Mini UHF
		17010/17060	RG8, RG11, RG213, RG214, LMR400	Hex .429, .100, .080	N Type Plugs
		17011/17061	RG59/62, 734, 735, RG6	Hex 295, .255, .200, .068, .039	HDTV, True 75 Ohm BNC, TNC