



**For Security
Vari-Focal**

MP¹
MEGA
PIXELS

YV10×5HR4A-SA2

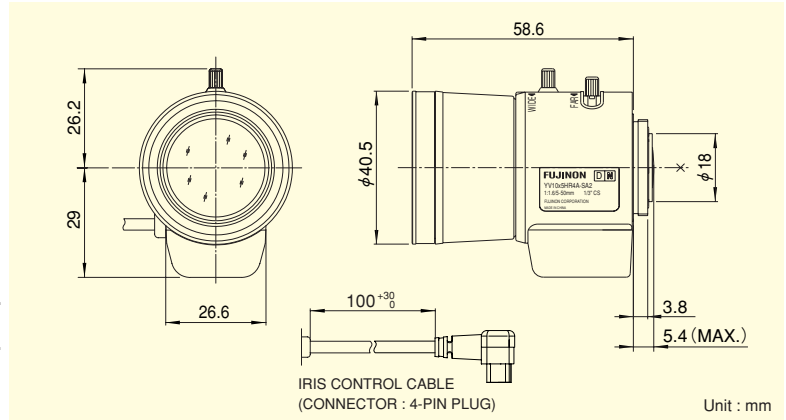
Applicable camera (model)

1 2/3 1/2 1/3 1/4

10×



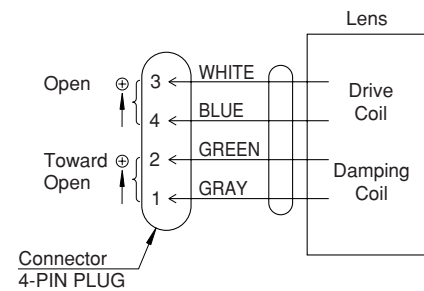
- VARI**
Vari-Focal
- WIDE**
Wide Angle
- TELE**
Telephoto Long Focal
- 1.3 Mega**
For Megapixel Camera
- Day~Night**
Day & Night
- DC**
DC Auto Iris
- CS-mt**
CS Mount
- METAL**
Metal Mount
- ND**
ND Filter
- 230**
Long Cable
- AT**
Aspherical Lens
- F1.6**
Wide Aperture Rate
- RoHS**
RoHS Compliant



- High image-quality monitoring with optical performance supporting 1.3 megapixels.
- Advanced design engineering and special optic glass adopted, best suited for color, Black and White and Day and Night cameras.
- Broad range of f5-50mm, supporting various applications.
- Wide aperture of F1.6, optimizing the performance at low lighting intensity.
- Designed to maximize optical performance with high-accuracy aspheric lens, low-dispersion glass, and high refractive-index glass.
- Built-in ND filter of T360, supporting high sensitivity cameras.

Focal Length (mm)		5~50 (10×)	
Iris Range		F1.6 ~ T360 (Equivalent to F360)	
Operation	Zoom	Manual	
	Focus	Manual	
	Iris	Auto (DC Type) (*1)	
Angle Of View (H×V)	1/3"	WIDE	51°17' × 39°36'
		TELE	5°30' × 4°07'
	1/4"	WIDE	39°36' × 30°13'
		TELE	4°07' × 3°06'
Focusing Range (From Front Of The Lens) (m)		∞ ~ 0.3	
Object Dimensions at M.O.D. (H×V) (mm)	1/3"	WIDE	304 × 228
		TELE	54 × 41
	1/4"	WIDE	228 × 171
		TELE	41 × 31
Back Focal Distance (in air) (mm)		7.50	
Exit Pupil Position (From Image Plane) (mm)		-43	
Filter Thread (mm)		—	
Mount		CS	
Mass (g)		85	
Coil Resistance		Drive Coil	190Ω
		Damping Coil	500Ω
Current Consumption		23mA (Max.) at DC 4V	
Remarks	<ul style="list-style-type: none"> • With Metal Mount (*1) When power is turned off, iris will automatically close. <p>YV10×5HR4A-2 : Manual Iris Type YV10×5HR4A-SA2L : Long Cable Type (230mm)</p>		

Wiring



[Lens Image]



5mm

50mm



MEGAPIXEL VARI-FOCAL LENSES