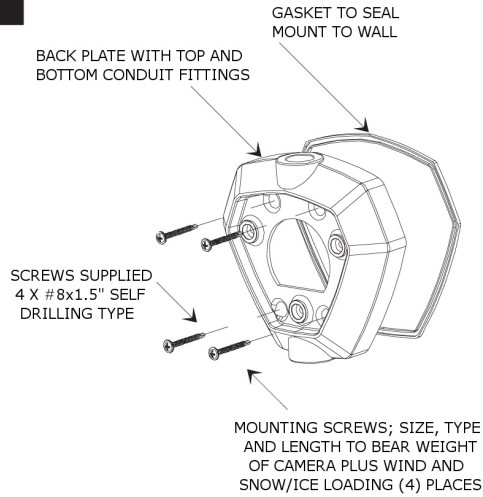
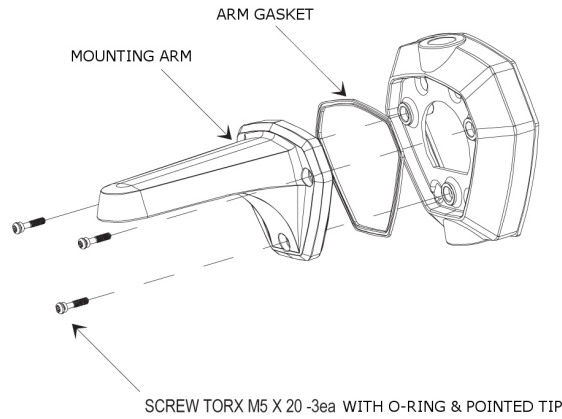


# BA-EHD3 Install Manual

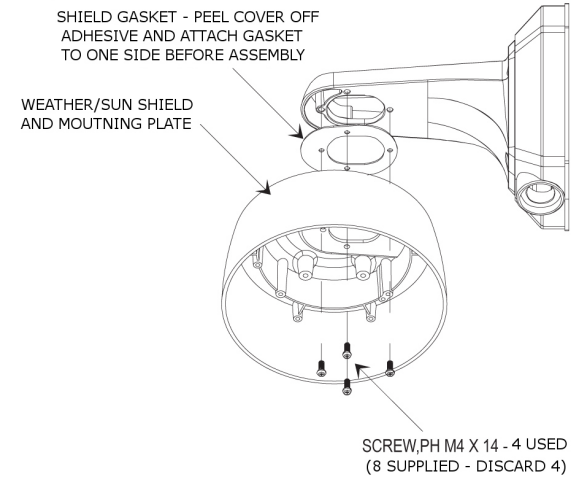
1



2



3



4

## LAY OUT (UNIT:mm)

