

PP4348 Mount

PARAPET, ROOFTOP MOUNT, SPECTRA®, ESPRIT®, PS20, AND LEGACY® ADAPTER

Product Features

- Aluminum Construction
- Cable Feedthrough Hole
- Supports up to 75 Pounds (34 kg)
- Rooftop Parapet Adapter for Spectra®, Esprit®, PS20 Scanner, and Legacy® Wall Mounts
- Design Includes Four Mounting Studs for Quick, Simple Installation of Wall Mount
- Mounts on a Flat Roof or Smooth Horizontal Surface

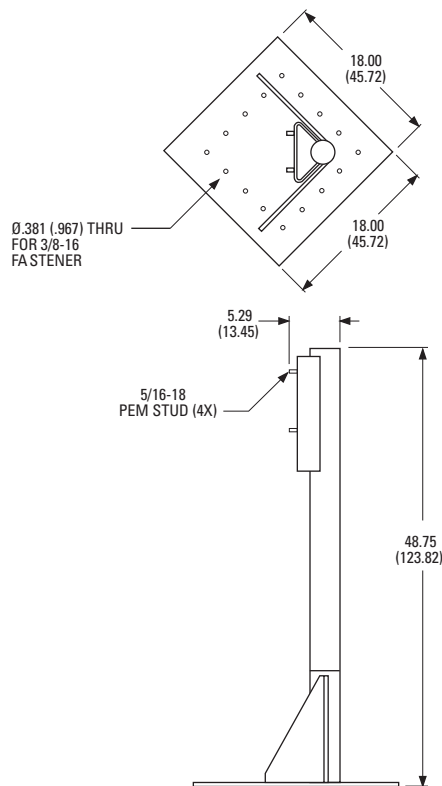
The **PP4348** is a rooftop parapet adapter designed for use with Spectra®, Esprit®, PS20 Series, and Legacy® wall mounts. For Spectra, DF5, or DF8 Series pendant domes, use the IWM Series or IDM4018 wall mounts. For Esprit positioning systems, use the EA4348 adapter with the EWM wall mount. A PS20 Series scanner can be mounted using the EA4348 adapter with the PSWM wall mount. For Legacy integrated positioning systems, use the LWM41 wall mount.

The **PP4348** mounts directly on a flat roof or smooth horizontal surface and is sufficient in height to clear most parapet walls. The **PP4348** is capable of complete 360-degree rotation and will support up to 75 pounds (34 kg).

The **PP4348** is constructed of aluminum and has a gray polyester powder coat finish.



PP4348 WITH EA4348 ADAPTER, EWM WALL MOUNT, AND ESPRIT POSITIONING SYSTEM



NOTE: VALUES IN PARENTHESES ARE CENTIMETERS; ALL OTHERS ARE INCHES.



TECHNICAL SPECIFICATIONS

MODEL

PP4348 Rooftop parapet adapter for use with IWM Series, IDM4018, LWM41, and EA4348 mounts

RELATED PRODUCTS

IWM Series Wall mount with cable feedthrough hole for Spectra[®], DF5, and DF8 Series pendant domes

IDM4018 Wall mount with cable feedthrough hole and removable front end cap for Spectra, DF5, and DF8 Series pendant domes.

EA4348 Adapter plate for mounting Esprit[®] and PS20 Series scanner; use with EWM wall mount for Esprit or PSWM wall mount for PS20 Series scanner.

LWM41 Wall mount for Legacy[®] integrated positioning systems

MECHANICAL

Positioning Adjustment Unlimited 360°

GENERAL

Suggested Mounting Method Secure with a minimum of eight 3/8-inch fasteners (not supplied) suitable for the mounting surface

Adapter Mounting Four 5/16-inch mounting studs, flat washers, lock washers and nuts supplied for mounting LWM41, IDM4018, IWM Series, or EA4348 mount

Maximum Load 75 lb (34 kg)

Construction Aluminum

Finish Gray polyester powder coat

Environment Indoor/outdoor

Unit Weight 29.63 lb (13.44 kg)

Shipping Weight 42 lb (19.03 kg)



Pelco, Inc. Worldwide Headquarters:
3500 Pelco Way, Clovis, California 93612-5699 USA
USA & Canada Tel: (800) 289-9100 • FAX: (800) 289-9150
International Tel: +1 (559) 292-1981 • FAX: +1 (559) 348-1120
www.pelco.com

Pelco, the Pelco logo, Esprit, Legacy, and Spectra are registered trademarks of Pelco, Inc.
Product specifications and availability subject to change without notice.
©Copyright 2002, Pelco, Inc. All rights reserved.