

LED



SPECIAL FEATURES

- Metal Chassis
- Ultra High Brightness LED Monitor
- 3D Comb Filter, Deinterlace, Noise Reduction, LED High Brightness BLU, Multi-Language Support
- 1000Nit Brightness, 700:1 Aspect Ratio
- BNC Video 2 In / 2 Out, S-Video 1 In / 1 Out, VGA 1 In, Audio 2 In, PC Stereo 1 In
- 2W x 2 Built-In Speakers
- Wall and Rack Mount Kit

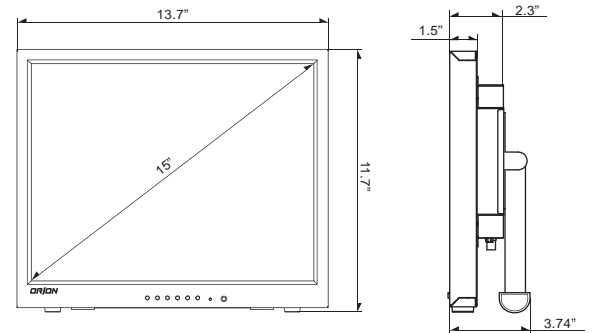
SPECIFICATIONS

		15RTCLD
Display	Screen Size	15 Inch
	Max. Resolution	1024 x 768 @ 75Hz
	Pixel Pitch	0.297 x 0.297mm
	Brightness	1000cd/m ²
	Contrast Ratio	700 : 1
	Aspect Ratio	4 : 3
	Viewing Angle (H/V)	140° / 125°
	Display Color	16.2 Million
	Response Time	< 8ms
	Video System	NTSC / PAL
Interface	Video In / Out (BNC Type)	2 / 2
	S-Video In / Out	1 / 1
	VGA In (15Pin D-Sub)	1
	Audio In (RCA Type)	2 (L+R)
	PC Stereo In	1
Transmitter	Remote Control	Yes
Audio	Built-in Speakers	Yes (2W x 2)
	Filter Type	3D Comb Filter
Features	Deinterlace	Yes
	Noise Reduction Control (NR)	Yes
	LED High Brightness BLU	Yes
	Multi-Language Support	English, Spanish, French, German, Italian
Dimension	Outline Dimension (w/o Stand)	13.7" W x 11.7" H x 2.3" D
	Net. Weight	4.79Kg (10.58 lbs)
Cabinet	Material / Color	Electronic galvanized Iron / Black
	Base Stand	Folding Leg
Warranty	Part/Labor	2year / 2year
	MTBF (Approx.)	30,000 Hours
Regulations	RoHS, TUV NRTL (=optional), CB, FCC (A), CE-Emc (LVD)	
Power	Consumption: < On	< 35W
	Electrical Ratings	AC100 ~ 240V(50/60Hz) DC12V / 3A
Circumstance	Operating Temperature	0 ~ 50° C / 32 ~ 122° F
	Storage Temperature	-20 ~ 60° C / -4 ~ 140° F
Mounts	VESA™ Mount Size	75 x 75mm
	Wall	WB-5, WB-10, WB-30, WB-31
	Ceiling	CMK-01
	Rack	RMK-08

*Design and specifications are subject to change without notice

DIMENSIONS

15RTCLD



OTHER VIEW



Side View



Rear View

MOUNT OPTION

