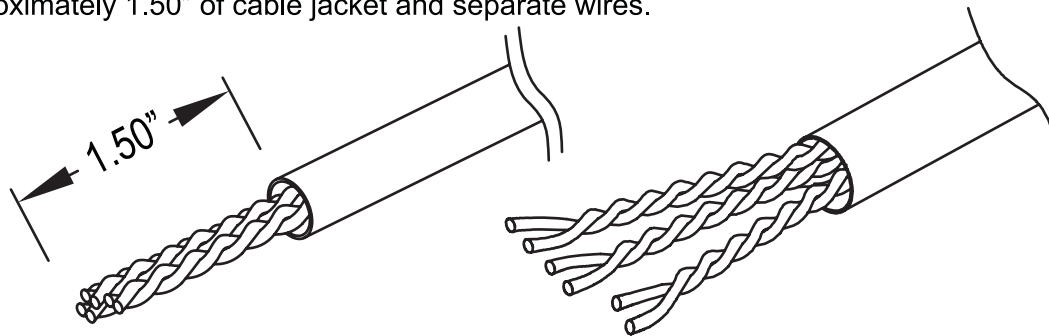
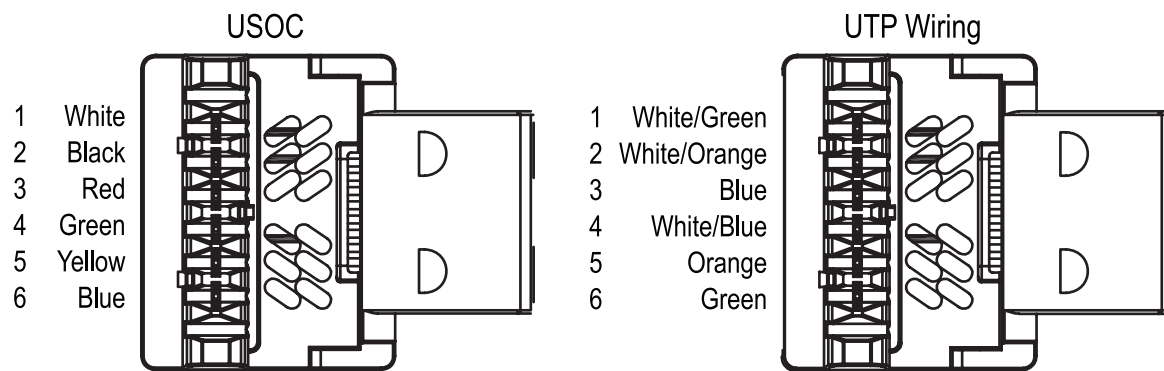


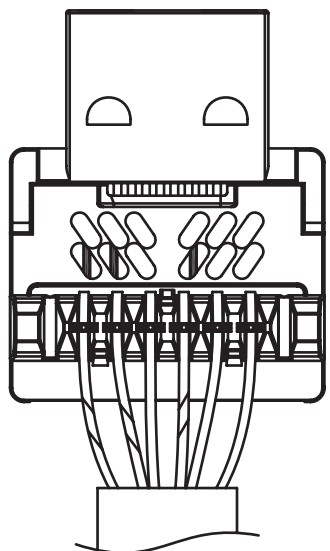
1. Strip approximately 1.50" of cable jacket and separate wires.



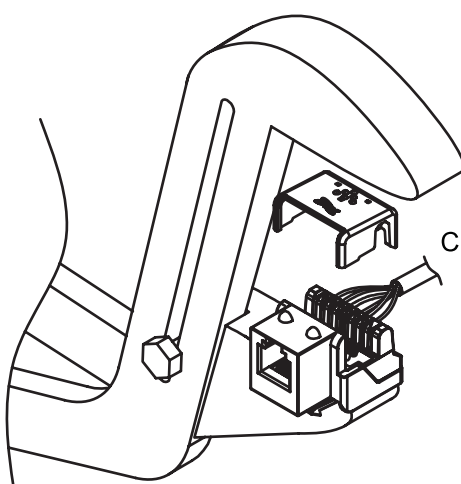
2. Choose between USOC and UTP wiring configuration.



3. Sort wires and place into the IDC.



4. Terminate wires using the cap or Punch-Down Tool.



Use cap with pliers or channel lock

