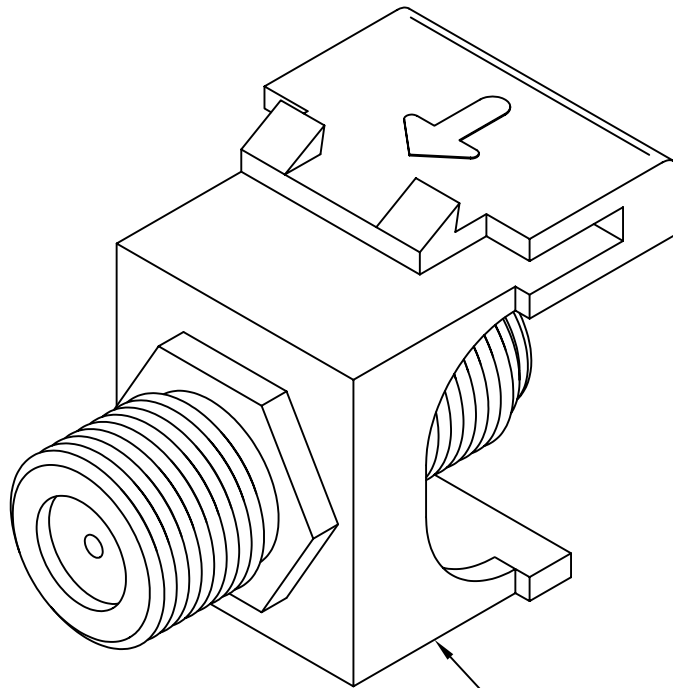


# Nickel Plated F-Type Female-to-Female Module

## PRODUCT SPECIFICATION

### Package includes:

A. Nickel Plated F-Type Module, 1 pc



Nickel Plated F-Type Module

### Features and Benefits:

- Used for audio and video applications
- Rear threaded F-Type connectors for secure in-wall connections with both RG6 and RG59 coaxial cables
- Provides a clean and neat appearance installation
- Compatible with all IC107 faceplates, inserts, surface mount boxes, and blank patch panels
- Compatible with all IC108 furniture faceplates, bezels, and surface mount boxes
- Used with ICC RG6 F-Type ICPCSF patch cords
- Available in almond, black, gray, ivory, and white
- UL listed

### MODULE, F-TYPE, NICKEL PLATED

ITEM NO. IC107B5FXX

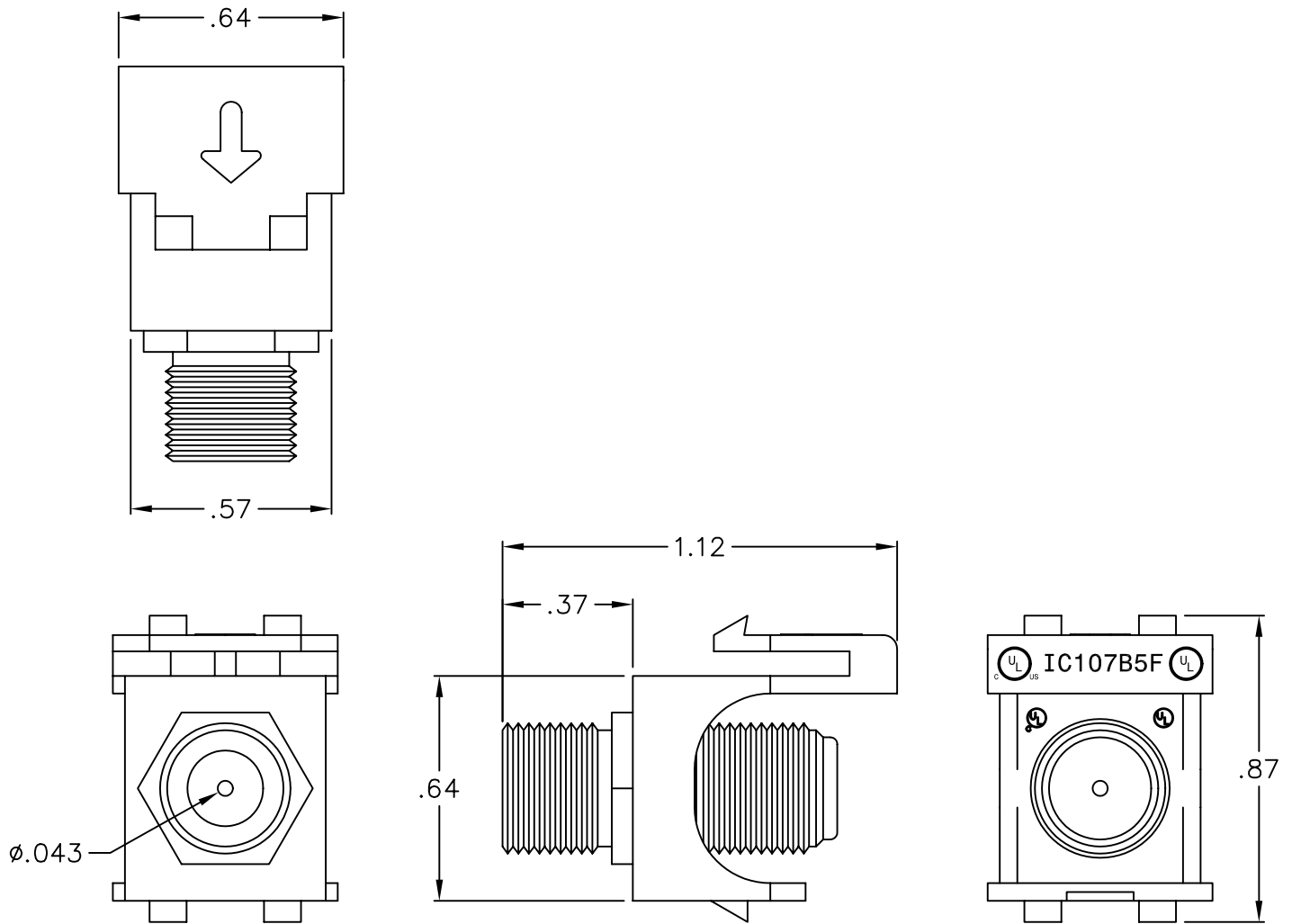
REV. E

DWG NO. PS107B5F00

PAGE NO. 1



CUSTOMER CARE / TECHNICAL SUPPORT \* CSR@ICC.COM / 888-ASK-4-ICC (275-4422) \* 14700 Alondra Blvd., La Mirada, CA 90638 \* www.icc.com



**NOTE: UNLESS OTHERWISE SPECIFIED**

1. HOUSING:

- A. MATERIAL: ABS, UL 94V-0
- B. COLOR: XX: AL-ALMOND, BK-BLACK, GY-GRAY, IV-IVORY, & WH-WHITE


2. NICKEL PLATED F-TYPE CONNECTOR:

- A. MATERIAL: BRONZE WITH NICKEL PLATING
- B. INSULATOR COLOR: WHITE
- C. HOLDING FORCE > 80 GRAMS
- D. F-TYPE CONNECTOR THREADS: 3/8-32 UNEF-2A

3. ELECTRICAL:

- A. RETURN LOSS OF -20 dB MAX
- B. CHARACTER IMPEDANCE RATED 75 OHM
- C. INSULATION RESISTANCE > 10 MOHM

UL US FILE NO. 125268

<b>MODULE, F-TYPE, NICKEL PLATED</b>		 <b>ICC</b> <i>PremiumProducts</i> <i>ProvenPerformance</i> <i>CompetitivePrices</i>	
ITEM NO.	IC107B5FXX		REV. E
DWG NO.	PS107B5F00		PAGE NO. 2

CUSTOMER CARE / TECHNICAL SUPPORT \* CSR@ICC.COM / 888-ASK-4-ICC (275-4422) \* 14700 Alondra Blvd., La Mirada, CA 90638 \* www.icc.com