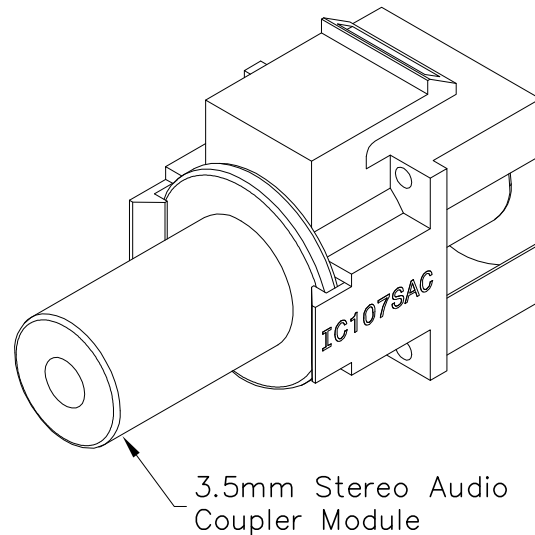
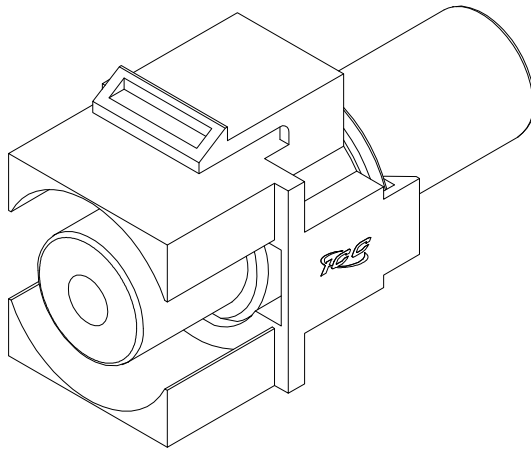


# 3.5mm Stereo Audio Coupler Module

## PRODUCT SPECIFICATION

### Package includes:

- A. 3.5mm Stereo Audio Coupler Module, 1 pc



### Features and Benefits:

- Connect to headphone, microphone, infrared repeater devices, HDTV's, sound cards, and MP3 player from remote locations
- Easy to install plug and play 3.5mm (1/8") adapter type on front and rear
- Ideal for ICC's faceplates and inserts, blank patch panels, and configurable mobile patch box
- Available in white

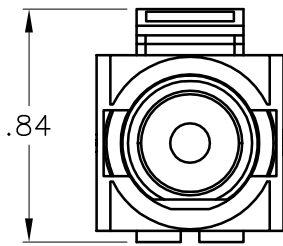
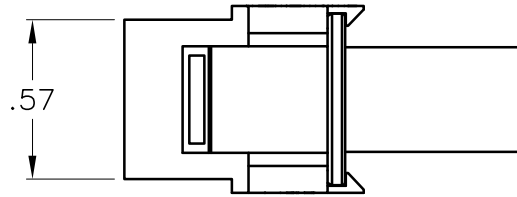
### MODULE, COUPLER, STEREO AUDIO, 3.5MM

ITEM NO.	IC107SACWH
DWG NO.	PS107SAC00

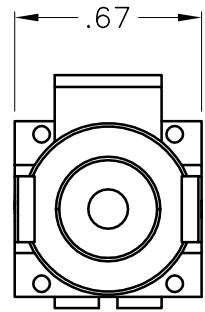
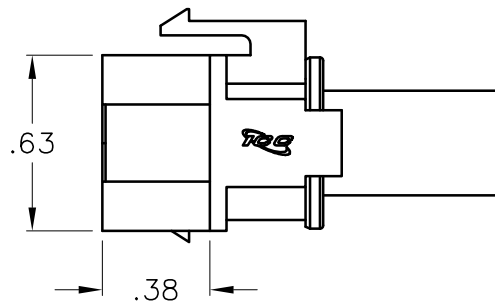
REV.	A
PAGE NO.	1



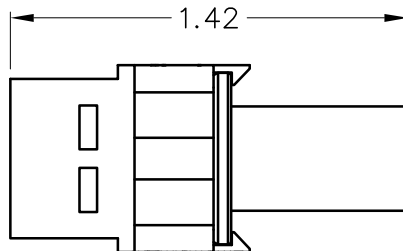
CUSTOMER CARE / TECHNICAL SUPPORT \* CSR@ICC.COM / 888-ASK-4-ICC (275-4422) \* 14700 Alondra Blvd, La Mirada, CA 90638 \* www.icc.com



**Front**



**Rear**



**NOTE: UNLESS OTHERWISE SPECIFIED**

1. MATERIAL:
  - A. CONNECTOR BODY: PHOSPHOR BRONZE
  - B. PLATING: NICKEL
  - C. HOUSING: ABS
2. ELECTRICAL:
  - A. RATING: DC 50V 0.5A
  - B. CONTACT RESISTANCE: 50M OHM MAX.
  - C. INSULATION RESISTANCE: 100M OHM MIN.
  - D. INSERTION FORCE: 0.3KGF ~ 3KGF
  - F. EXTRACTION FORCE: 0.3KGF ~ 3KGF
3. COLOR = WHITE

**MODULE, COUPLER, STEREO AUDIO, 3.5MM**

ITEM NO.	IC107SACWH
DWG NO.	PS107SAC00

REV.	A
PAGE NO.	2



CUSTOMER CARE / TECHNICAL SUPPORT \* CSR@ICC.COM / 888-ASK-4-ICC (275-4422) \* 14700 Alondra Blvd, La Mirada, CA 90638 \* www.icc.com