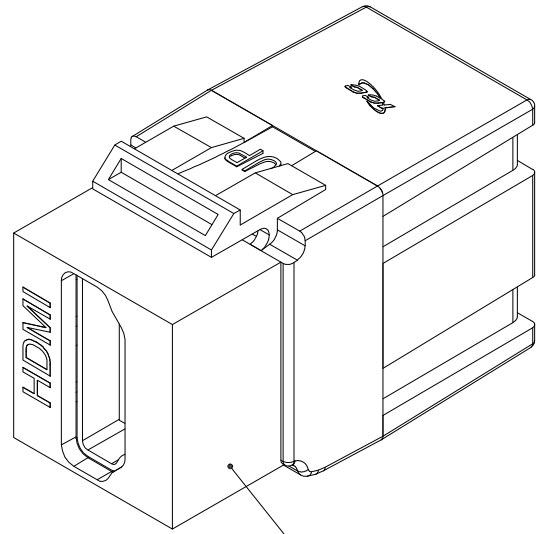
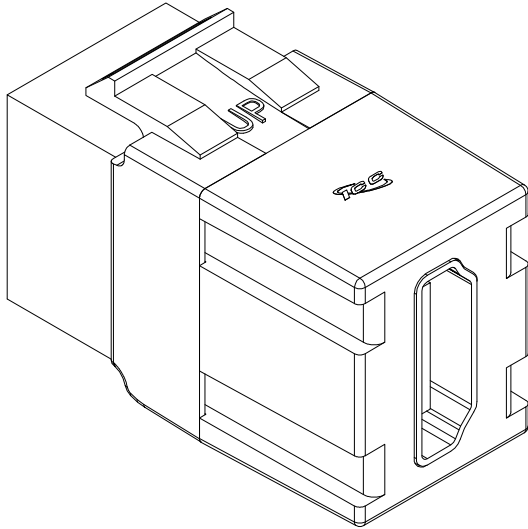


# HDMI Female to Female Module

## PRODUCT SPECIFICATION

### Package includes:

A. HDMI Module, 1 pc



Female/Female  
HDMI Module

### Features and Benefits:

- HDMI (High Definition Multimedia Interface) connectors are ideal for connecting HD (High Definition) video, audio, and computer equipment in commercial and residential applications.
- Compatible with all of ICC's faceplates, and decorex inserts.
- Supports v1.2, v1.3, v1.4a, 720p, 1080i, 1080p, 3D, and HDCP; typical maximum distance for HDMI cable is 33ft. (10 meters).
- Available in almond, black, ivory and white.

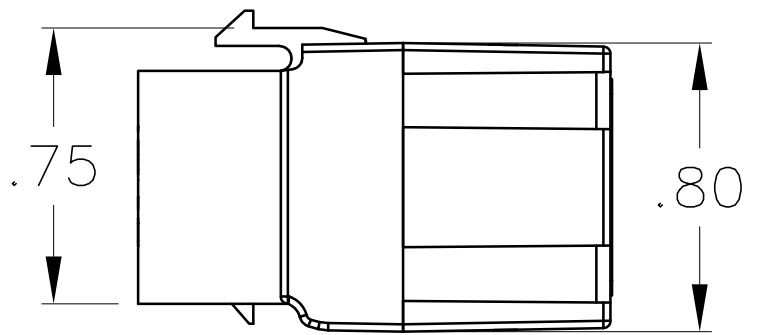
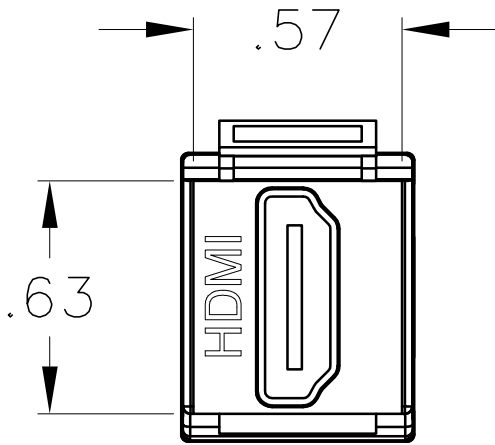
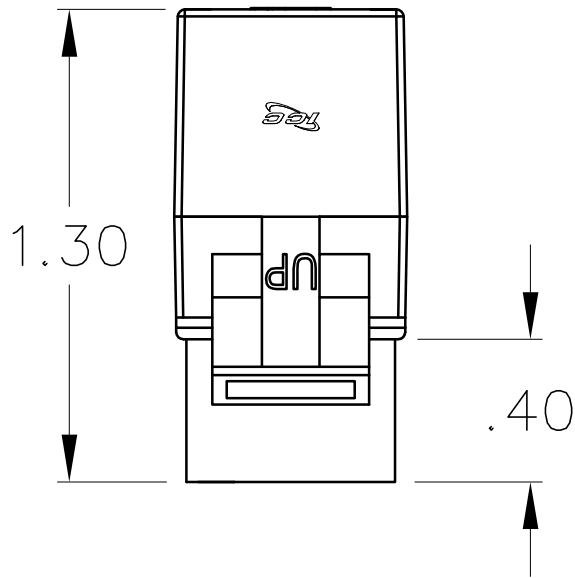
### MODULE, HDMI, FEMALE TO FEMALE

ITEM NO. IC107HDMXX  
DWG NO. PS107HDM00

REV. B  
PAGE NO. 1



CUSTOMER CARE / TECHNICAL SUPPORT \* CSR@ICC.COM / 888-ASK-4-ICC (275-4422) \* 14700 Alondra Blvd., La Mirada, CA 90638\* www.icc.com



**NOTE: UNLESS OTHERWISE SPECIFIED**

1. MATERIAL:

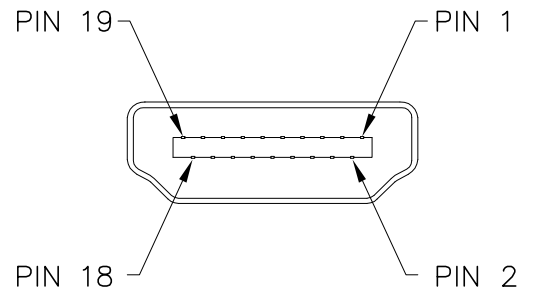
- A. HOUSING: ABS
- B. IDC: BRASS WITH 100 MICRO-INCH OF TIN
- C. TERMINALS: GOLD OVER NICKEL PLATED COPPER ALLOY

2. HDMI CONNECTOR:


- A. STORAGE: -40° TO +70°C
- B. OPERATION: -10° TO +60°C
- C. NONCONDENSING: 93%
- D. 19-PIN ADAPTER CONTACT.

3. COLOR:

- A. XX = AL-ALMOND, BK-BLACK, IV-IVORY, WH-WHITE



**HDMI PIN OUT**

<b>MODULE, HDMI, FEMALE TO FEMALE</b>		 <i>PremiumProducts</i> <i>ProvenPerformance</i> <i>CompetitivePrices</i>	
ITEM NO.	IC107HDMXX		REV. B
DWG NO.	PS107HDM00		PAGE NO. 2

CUSTOMER CARE / TECHNICAL SUPPORT \* CSR@ICC.COM / 888-ASK-4ICC (275-4422) \* 14700 Alondra Blvd., La Mirada, CA 90638\* www.icc.com