


**BOSCH**

Invented for life

# LTC 9210, LTC 9212, LTC 9213, and LTC 9223 Indoor/Outdoor Mounting Equipment



- ▶ **Maximum load: 9 kg (20 lb)**
- ▶ **Attractive Appearance**
- ▶ **Versatile Design**
- ▶ **Adjustable Mount Heads**
- ▶ **Lightweight**
- ▶ **Corrosion-Resistant Finish**

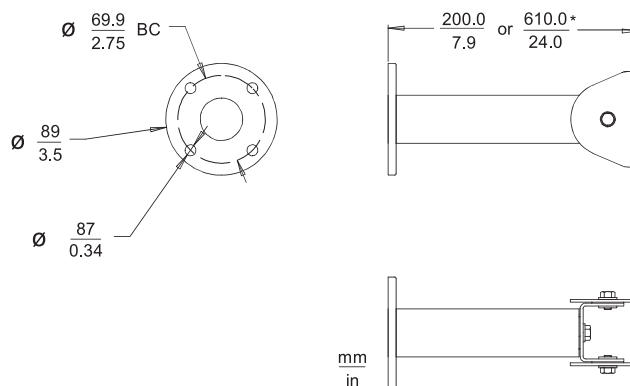
This series of indoor/outdoor mounting equipment is designed for fixed camera or camera housing installations up to a rated load of 9 kg (20 lb). All models are made of lightweight aluminum, and feature welded construction, providing an extremely rigid camera mount. All mounts come fully assembled.

The LTC 9210/00 is a 200 mm (8 in) column mount, constructed of 38 mm (1.5 in) OD aluminum tubing with a welded surface mounting flange. An adjustable head is included for mounting a camera or housing. The adjustable head employs hex head screws and friction washers. The top mounting plate includes three (3) mounting holes for easy installation.

The LTC 9223/00 column mount is similar to the LTC 9210/00, but with a height of 610 mm (24 in). The LTC 9212/00 is a 300 mm (12 in) wall mount constructed of 38 mm (1.5 in) OD aluminum tubing, with a welded surface mounting flange. This unit includes an adjustable head, mounted on a 90 degree angle bend, to permit mounting of a camera or housing. The adjustable head employs hex head screws, friction washers, and three (3) mounting holes for easy installation.

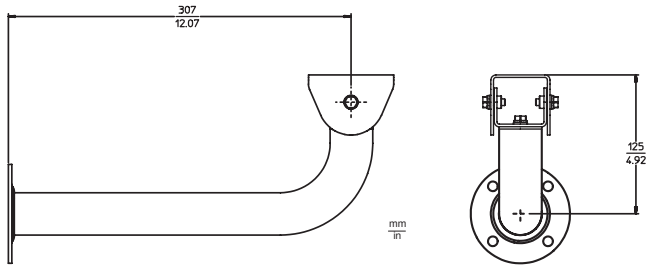
The LTC 9213/01 is a pole mount adaptor bracket, which facilitates mounting of the LTC 9212/00 mount and LTC 9215 Series Feed-through mounts, to a 3- to 15-inch diameter pole. Stainless steel straps are included for ease of mounting.

## Installation/Configuration Notes

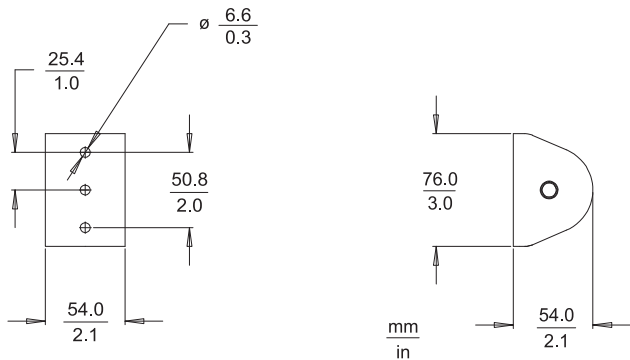


LTC 9210/00 Column Mount, 200 mm (8 in)

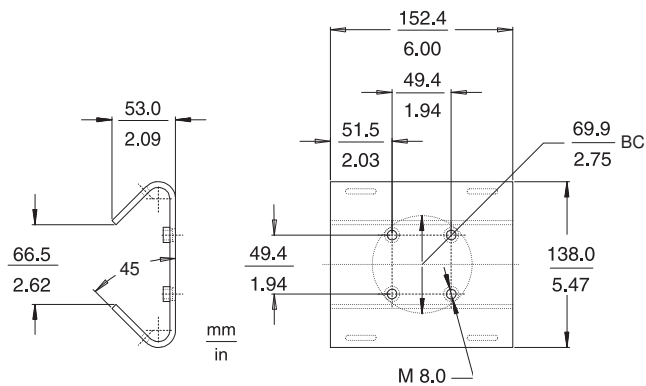
LTC 9223/00 Column Mount, 610 mm (24 in)



LTC 9212/00 Wall Mount, 300 mm (12 in)



Dimensional Outline for adjustable head



LTC 9213/01 Pole Mount Adapter

**LTC 9210/00 20-mm (8-inch)**

Column Mount

**LTC 9223/00 610-mm (24-inch)**

Column Mount

Approx. Weights

LTC 9210/00 300 g (0.6 lb)

LTC 9223/00 544 g (1.2 lb)

LTC 9213/01 Pole Mount Adapter

Mounting Hardware Two (2), 1.5 m (5 ft) stainless steel straps, (2) banding clips, (4) hex head cap screws, and (4) lockwashers are furnished with unit.

Options TC9311PM3T strapping tool available. Refer to Data Sheet for Accessories For Domed Housings.

Approx. Weight 850 g (1.9 lb)

**Ordering Information**

<b>LTC 9210/00 Column Mount</b> for 8-inch, 9 kg (20 lb) max load, light gray finish	<b>LTC 9210/00</b>
<b>LTC 9212/00 Wall Mount</b> for 12-inch, 9 kg (20 lb) max load, for LTC 938x and LTC 948x series housings, light gray finish	<b>LTC 9212/00</b>
<b>LTC 9223/00 Column Mount</b> for 24-inch, 9 kg (20 lb) max load, light gray finish	<b>LTC 9223/00</b>
<b>LTC 9213/01 Pole Mount Adapter</b> for LTC 9210, LTC 9212 and LTC 9215, light gray finish	<b>LTC 9213/01</b>

**Technical Specifications**

**LTC 9210/00, LTC 9212/00, LTC 9223/00, LTC 9213/01**

Indoor/Outdoor Mounts

Maximum Load	9 kg (20 lb)
Mounting Head	Adjustable 360° pan, 180° tilt (N/A for LTC 9213/01)
Finish	Light gray

**Americas:**  
Bosch Security Systems, Inc.  
130 Perinton Parkway  
Fairport, New York, 14450, USA  
Phone: +1 800 289 0096  
Fax: +1 585 223 9180  
security.sales@us.bosch.com  
www.boschsecurity.us

**Europe, Middle East, Africa:**  
Bosch Security Systems B.V.  
P.O. Box 80002  
5600 JB Eindhoven, The Netherlands  
Phone: + 31 40 2577 284  
Fax: +31 40 2577 330  
emea.securitysystems@bosch.com  
www.boschsecurity.com

**Asia-Pacific:**  
Robert Bosch (SEA) Pte Ltd, Security Systems  
11 Bishan Street 21  
Singapore 573943  
Phone: +65 6571 2600  
Fax: +65 6571 2698  
apr.securitysystems@bosch.com  
www.boschsecurity.com