



300 W. Pontiac Way,
Clovis, CA 93612-5699
USA

In North America & Canada:
Tel (800) 289-9100
FAX (800) 289-9150
DataFAX (800) 289-9108

International Customers:
Tel (1-559) 292-1981
FAX (1-559) 348-1120
DataFAX (1-559) 292-0435

Pelco Online
<http://www.pelco.com>



C256M-C (4/99) PM2000/PM2010 Universal Ceiling/Pedestal Mount

IMPORTANT SAFEGUARDS AND WARNINGS

Observe the following warnings before installing and using this product.

1. Installation and servicing should be done by qualified installation and service personnel only.
2. Installation should be done according to all local and national electrical and mechanical codes, using only approved materials.
3. Use only installation methods and materials capable of supporting four times the maximum weight of the equipment to be mounted.
4. Use stainless steel hardware to fasten the mount to outdoor surfaces.
5. To prevent damage from water leakage when installing a mount outdoors, apply sealant around the bolt holes between the mount and the mounting surface.

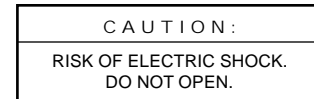
The product and/or manual may bear the following marks:



This symbol indicates that dangerous voltage constituting a risk of electric shock is present within this unit.



This symbol indicates that there are important operating and maintenance instructions in the literature accompanying this unit.



Please thoroughly familiarize yourself with the information in this manual prior to installation and operation.

DESCRIPTION

The PM2000 and PM2010 universal ceiling/pedestal mounts are designed for use with medium- to heavy-duty scanners and pan and tilt units and will safely support loads up to 125 pounds (57 kg). Using two or more ST1 support struts with the PM2000 can add stability to the mount in high wind conditions. These universal mounts will accept the AH1000 and AH2000 adjustable heads for ceiling or pedestal mounting of camera enclosures or a PA2000 mount adapter for use with the Legacy® integrated positioning system. Both mounts are constructed of aluminum and have a gray polyester powder coat finish.

Models

- | | |
|--------|--|
| PM2000 | Universal ceiling/pedestal mount for use with medium- or heavy-duty scanners and pan and tilt units; 24 inches (61.0 cm) in height |
| PM2010 | Same as PM2000, except 10 inches (25.4 cm) in height |

INSTALLATION

1. Determine the correct positioning of the ceiling/pedestal mount. For Legacy® and medium-duty scanner and pan and tilt installations, the 8.5-inch (21.6 cm) diameter end will be attached to the mounting surface. For heavy-duty pan and tilt installations, the 6.0-inch (15.2 cm) diameter end will be attached to the mounting surface.
2. Using the PM2000 or PM2010 universal ceiling/pedestal mount as a template, drill holes into the mounting surface.
3. Attach the ceiling/pedestal mount to the mounting surface with 5/16-inch diameter stainless steel fasteners (not supplied). To prevent water damage if installed outdoors, seal the bolt holes with appropriate sealant (not supplied). Apply the sealant around the bolt holes between the ceiling/pedestal mount and the mounting surface.
4. Attach ST1 support struts to the PM2000 mount as required for high wind conditions.
5. Refer to the AH1000/AH2000 manual for instructions to attach an adjustable head to the ceiling/pedestal mount.



CAUTION: Make certain the mounting surface is capable of supporting the full load of the ceiling/pedestal mount, scanner or pan and tilt, and camera/ enclosure.

6. For a Legacy® integrated positioning system, attach a PA2000 mount adapter to the Legacy® base with the four 1/4-20 screws provided with the mount adapter. Then attach the mount adapter and Legacy® to the PM2000/PM2010 with suitable hardware (not supplied).

SPECIFICATIONS

Construction:	Aluminum
Finish:	Gray polyester powder coat
Maximum Load:	125 lb (57 kg)
Dimensions:	See Figure 1
Weight:	
PM2000	4.2 lb (1.9 kg)
PM2010	2.9 lb (1.3 kg)

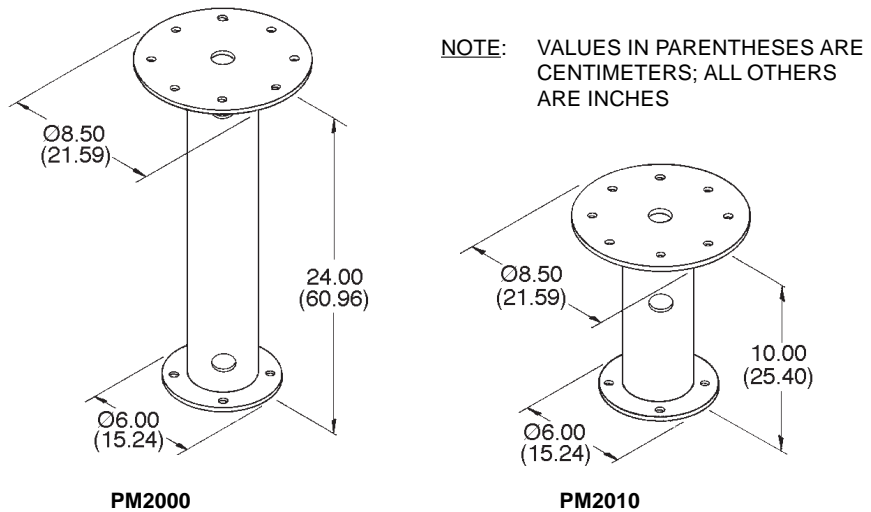


Figure 1. PM2000/PM2010 Universal Ceiling/Pedestal Mount

WARRANTY AND RETURN INFORMATION

WARRANTY

Pelco will repair or replace, without charge, any merchandise proved defective in material or workmanship for a period of one year after the date of shipment. Exceptions to this warranty are as noted below:

- Three years on Genex™ Series (multiplexers, server, and keyboard).
- Two years on all standard motorized and fixed focal length lenses.
- Two years on Esprit™, Legacy®, Intercept®, PV1000 Series, CM6700/CM8500/CM9500/CM9750/CM9760 Matrix, Spectra®, DF5 Series and DF8 Fixed Dome products.
- Two years on WW5700 series window wiper (excluding wiper blades).
- Two years on cameras.
- Six months on all pan and tilts, scanners or preset lenses used in continuous motion applications (that is, preset scan, tour and auto scan modes).

Pelco will warrant all replacement parts and repairs for 90 days from the date of Pelco shipment. All goods requiring warranty repair shall be sent freight prepaid to Pelco, Clovis, California. Repairs made necessary by reason of misuse, alteration, normal wear, or accident are not covered under this warranty.

Pelco assumes no risk and shall be subject to no liability for damages or loss resulting from the specific use or application made of the Products. Pelco's liability for any claim, whether based on breach of contract, negligence, infringement of any rights of any party or product liability, relating to the Products shall not exceed the price paid by the Dealer to Pelco for such Products. In no event will Pelco be liable for any special, incidental or consequential damages (including loss of use, loss of profit and claims of third parties) however caused, whether by the negligence of Pelco or otherwise.

The above warranty provides the Dealer with specific legal rights. The Dealer may also have additional rights, which are subject to variation from state to state.

If a warranty repair is required, the Dealer must contact Pelco at (800) 289-9100 or (559) 292-1981 to obtain a Repair Authorization number (RA), and provide the following information:

1. Model and serial number
2. Date of shipment, P.O. number, Sales Order number, or Pelco invoice number
3. Details of the defect or problem

If there is a dispute regarding the warranty of a product which does not fall under the warranty conditions stated above, please include a written explanation with the product when returned.

Ship freight prepaid to: Pelco
300 West Pontiac Way
Clovis, CA 93612-5699

Method of return shipment shall be the same or equal to the method by which the item was received by Pelco.

RETURNS

In order to expedite parts returned to the factory for repair or credit, please call the factory at (800) 289-9100 or (559) 292-1981 to obtain an authorization number (CA number if returned for credit, and RA number if returned for repair). Goods returned for repair or credit should be clearly identified with the assigned CA/RA number and freight should be prepaid. All merchandise returned for credit may be subject to a 20% restocking and refurbishing charge.

Ship freight prepaid to: Pelco
300 West Pontiac Way
Clovis, CA 93612-5699

REVISION HISTORY

Manual #	Date	Comments
C256M-C	4/99	Added certifications. Added reference to PA2000 adapter. Revised manual to new format.