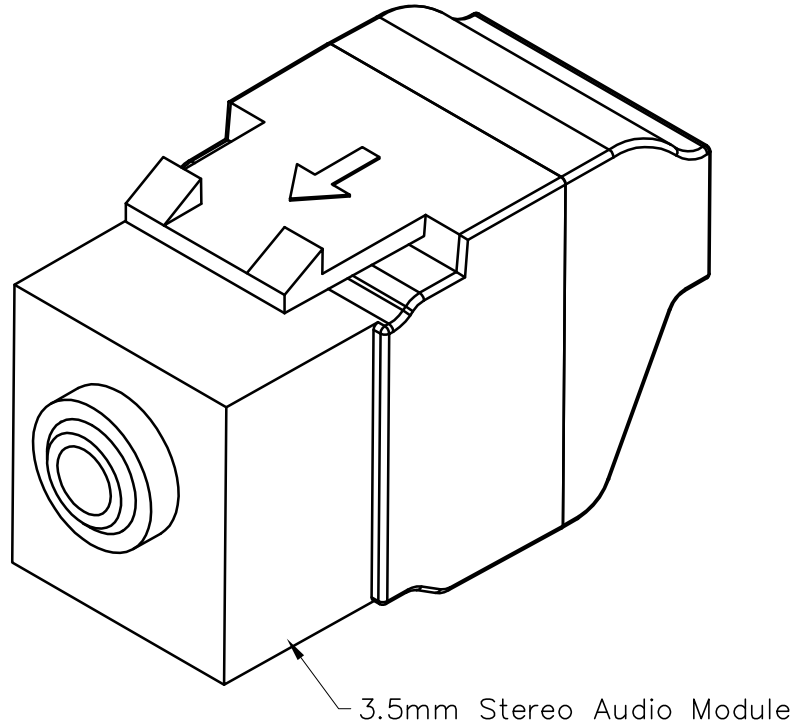


3.5mm Stereo Audio Module

PRODUCT SPECIFICATION

Package includes:

A. 3.5mm Stereo Audio Module, 1 pc



Features and Benefits:

- Connect to headphone, microphone, infrared repeater devices, sound cards, and MP3 player from remote locations
- Fast fingertip insertion
- Capable of UTP wiring in size of 22 ~ 24 AWG for simple connection
- Compatible with any ICC keystone wall plates and decorex inserts
- Available in almond, black, ivory, and white

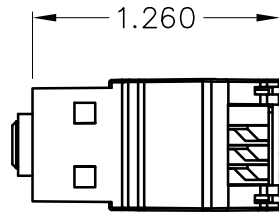
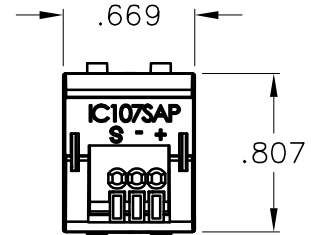
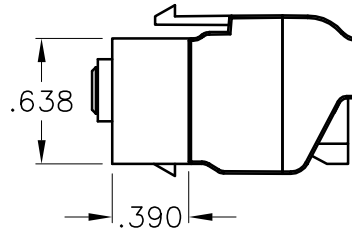
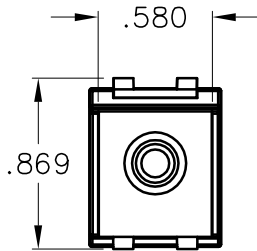
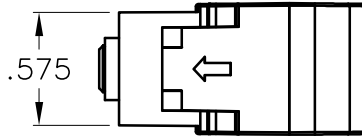
MODULE, STEREO AUDIO, 3.5MM

ITEM NO. IC107SAPXX
DWG NO. PS107SAP00

REV. A
PAGE NO. 1



CUSTOMER CARE / TECHNICAL SUPPORT * CSR@ICC.COM / 888-ASK-4-ICC (275-4422) * 14700 Alondra Blvd, La Mirada, CA 90638 * www.icc.com



NOTE: UNLESS OTHERWISE SPECIFIED

1. MATERIAL:
 - A. CONNECTOR BODY: PHOSPHOR BRONZE
 - B. PLATING: NICKEL
 - C. HOUSING: ABS
2. ELECTRICAL:
 - A. RATING: DC 50V 0.5A
 - B. CONTACT RESISTANCE: 50M OHM MAX.
 - C. INSULATION RESISTANCE: 100M OHM MIN.
 - D. INSERTION FORCE: 0.3KGF ~ 3KGF
 - F. EXTRACTION FORCE: 0.3KGF ~ 3KGF
3. COLOR = AL-ALMOND, BK-BLACK, IV-IVORY, WH-WHITE

MODULE, STEREO AUDIO, 3.5MM

ITEM NO. IC107SAPXX
 DWG NO. PS107SAP00

REV. A
 PAGE NO. 2



CUSTOMER CARE / TECHNICAL SUPPORT * CSR@ICC.COM / 888-ASK-4-ICC (275-4422) * 14700 Alondra Blvd, La Mirada, CA 90638 * www.icc.com