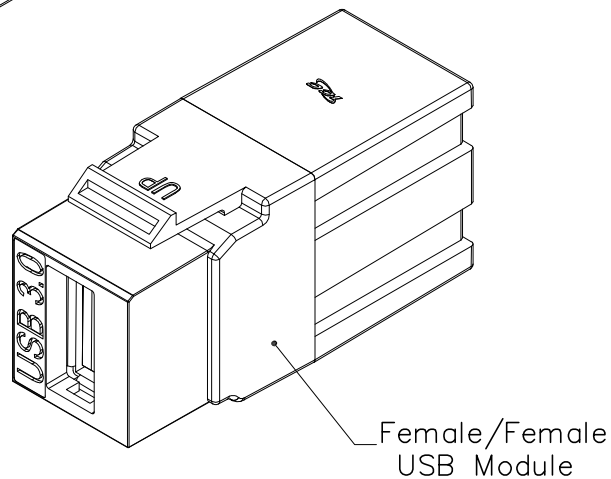
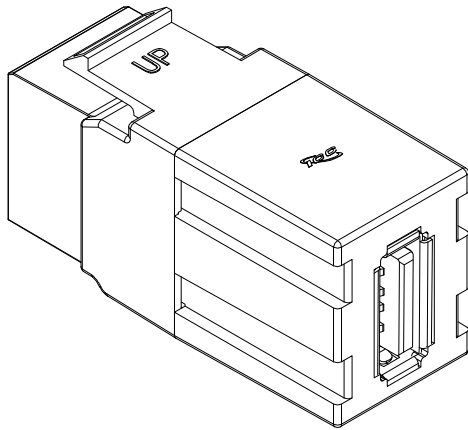


USB 3.0 Type A Female Module

PRODUCT SPECIFICATION

Package includes:

A. USB 3.0 Type A Female Module, 1 pc



Features and Benefits:

- Ideal for high-speed computers, notebooks, servers, and peripherals devices, external and portal storage hard drives, flash based thumb drives, etc.
- USB 3.0 and backwards compatible to v1.1 and v2.0
- Data rate transmission of up to 5 Gbps; 5 meters maximum
- Compatible with ICC's faceplates, surface mount boxes, blank patch panels and decorex inserts.
- High-density snap-in keystone module
- Available in white.

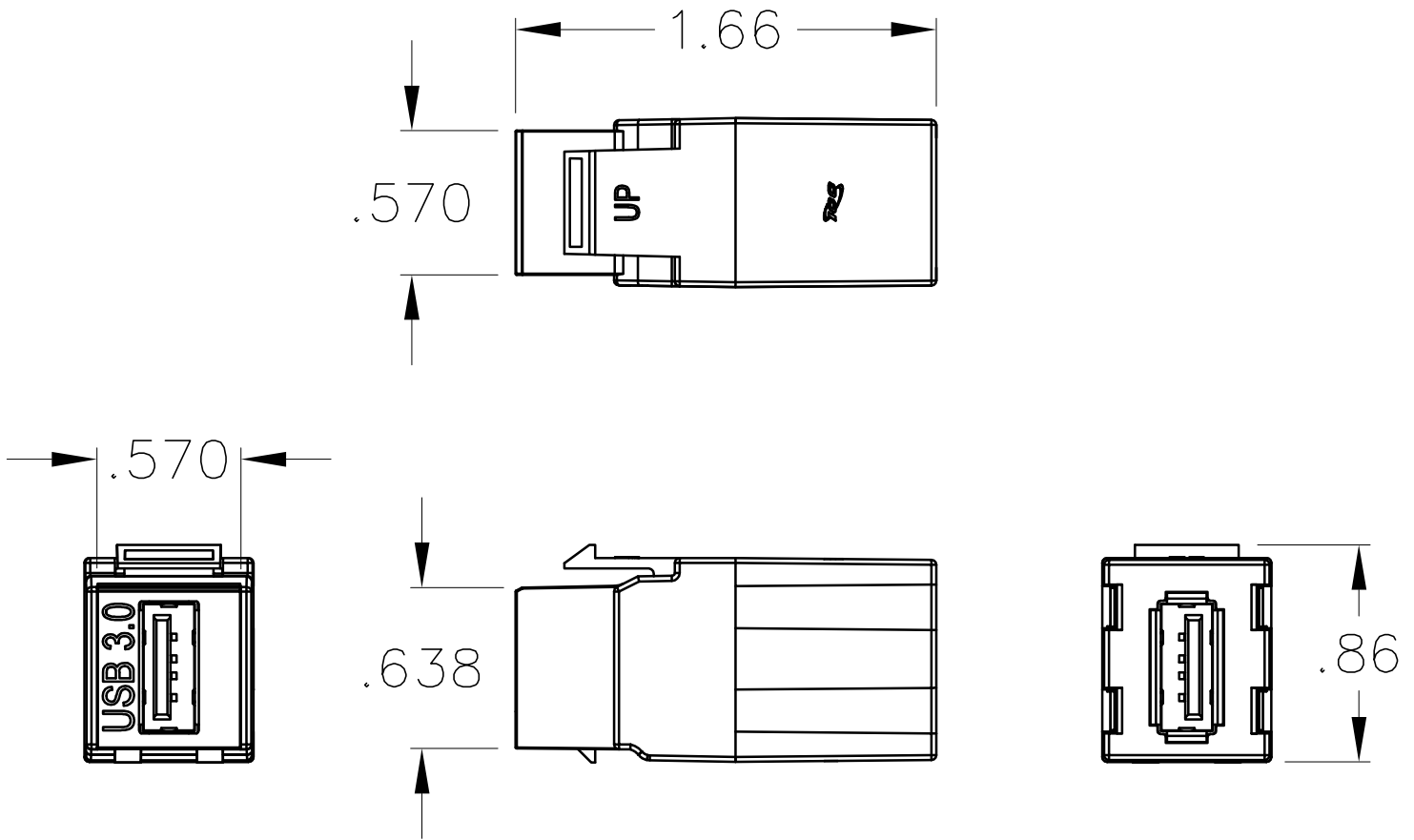
MODULE, USB 3.0, TYPE A, FEMALE TO FEMALE

ITEM NO.	IC107UAAXX
DWG NO.	PS107UAA00

REV.	B
PAGE NO.	1




CUSTOMER CARE / TECHNICAL SUPPORT * CSR@ICC.COM / 888-ASK-4-ICC (275-4422) * 14700 Alondra Blvd., La Mirada, CA 90638* www.icc.com



NOTE: UNLESS OTHERWISE SPECIFIED

1. HOUSING MATERIAL:
 - A. HOUSING: ABS
2. COLOR:
 - A. XX = WH-WHITE
3. USB ADAPTER:
 - A. VERSION 3.0
 - B. ELECTRICAL PERFORMANCE:
 - HIGH VOLTAGE TEST: DC/300V
 - INSULATION RESISTANCE: <20MΩ
 - CONNECTION RESISTANCE: <2Ω

MODULE, USB 3.0, TYPE A, FEMALE TO FEMALE		 <i>PremiumProducts</i> <i>ProvenPerformance</i> <i>CompetitivePrices</i>	
ITEM NO.	IC107UAAXX		REV. B
DWG NO.	PS107UAA00	PAGE NO.	2

CUSTOMER CARE / TECHNICAL SUPPORT * CSR@ICC.COM / 888-ASK-4-ICC (275-4422) * 14700 Alondra Blvd., La Mirada, CA 90638* www.icc.com