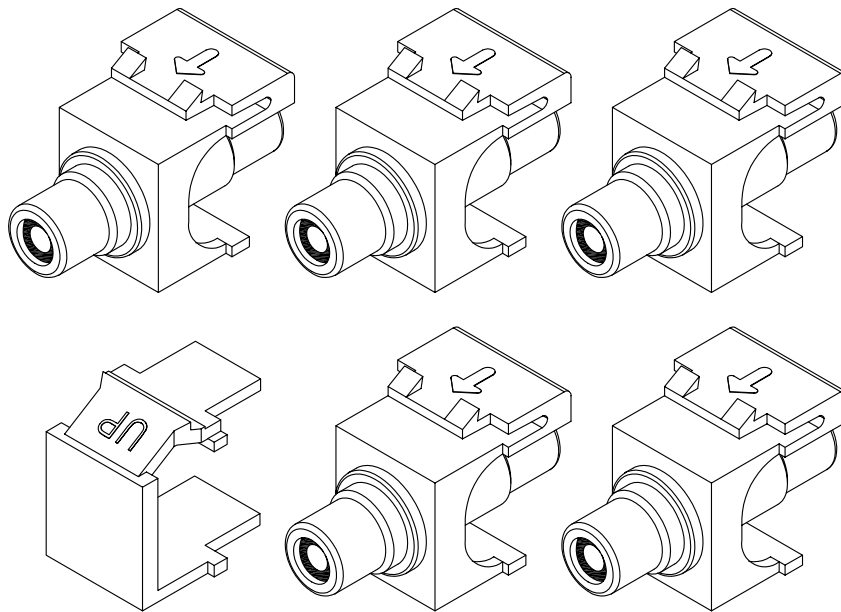


# Module, RCA Female, Gold Plated, Component Kit

## PRODUCT SPECIFICATION

### Package includes:

- A. RCA to RCA, Red Insulator, 2 pcs
- B. RCA to RCA, Green Insulator, 1 pc
- C. RCA to RCA, Blue Insulator, 1 pc
- D. RCA to RCA, White Insulator, 1 pc
- E. Blank Module, 1 pc



### Features and Benefits:

- Gold plating for improved performance with superior signal quality with minimal noise
- Used for audio and video applications
- Colored insulators providing for quick and easy identification of the type of signal carried on the circuit, making it easy to separate audio and video signals
- Provides a clean and neat appearance installation
- Compatible with all IC107 faceplates, inserts, surface mount boxes, and blank patch panels
- Compatible with all IC108 furniture faceplates, bezels, and surface mount boxes
- Housing color available in almond, black, ivory, and white

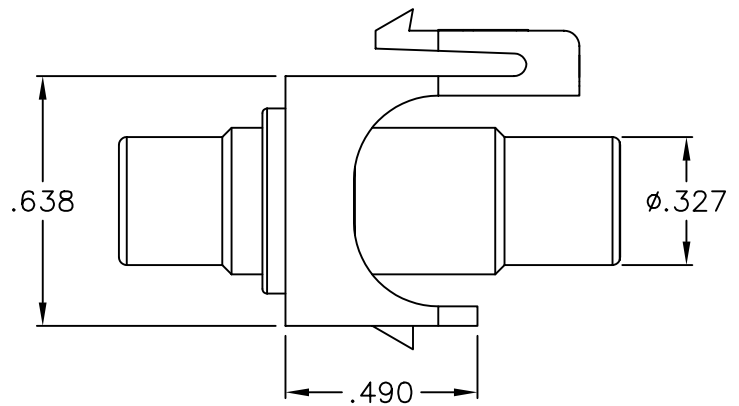
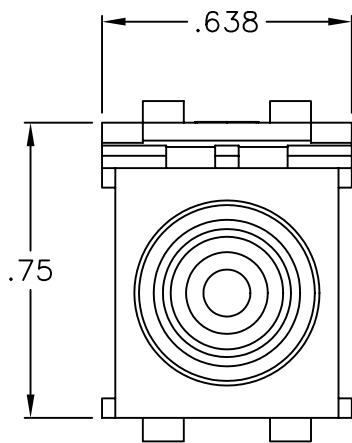
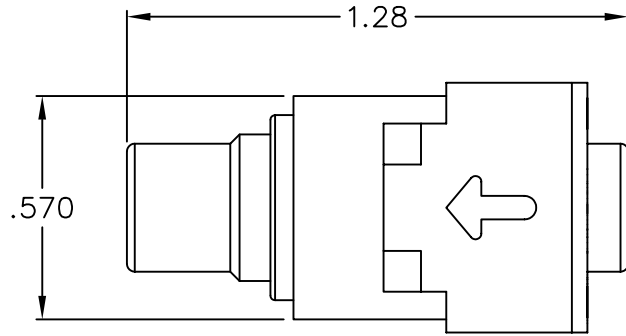
### MODULE, RCA FEMALE, GOLD, COMPONENT KIT

ITEM NO.	IC107RR500
DWG NO.	PS107RR500

REV.	D
PAGE NO.	1



CUSTOMER CARE / TECHNICAL SUPPORT \* CSR@ICC.COM / 888-ASK-4-ICC (275-4422) \* 14700 Alondra Blvd., La Mirada, CA 90638 \* www.icc.com



**NOTE: UNLESS OTHERWISE SPECIFIED**

1. HOUSING:
  - A. MATERIAL: ABS, UL 94V-0
  - B. COLOR: XX: AL-ALMOND, BK-BLACK, IV-IVORY, & WH-WHITE
2. CONNECTOR:
  - A. BODY: BRASS WITH FLASH GOLD PLATED
  - B. INSULATION: ABS
  - C. CONTACT: BRASS WITH FLASH GOLD PLATED
3. ELECTRICAL:
  - A. CONTACT RESISTANCE: 30 MOHM MAX.
  - B. INSULATION RESISTANCE: 100 MOHM MIN @ 500 V DC
  - C. DIELECTRIC STRENGTH: 500 VOLTS FOR ONE MINUTE

**MODULE, RCA FEMALE, GOLD, COMPONENT KIT**

ITEM NO.	IC107RR500	REV.	D
DWG NO.	PS107RR500	PAGE NO.	2



CUSTOMER CARE / TECHNICAL SUPPORT \* CSR@ICC.COM / 888-ASK-4-ICC (275-4422) \* 14700 Alondra Blvd., La Mirada, CA 90638 \* www.icc.com