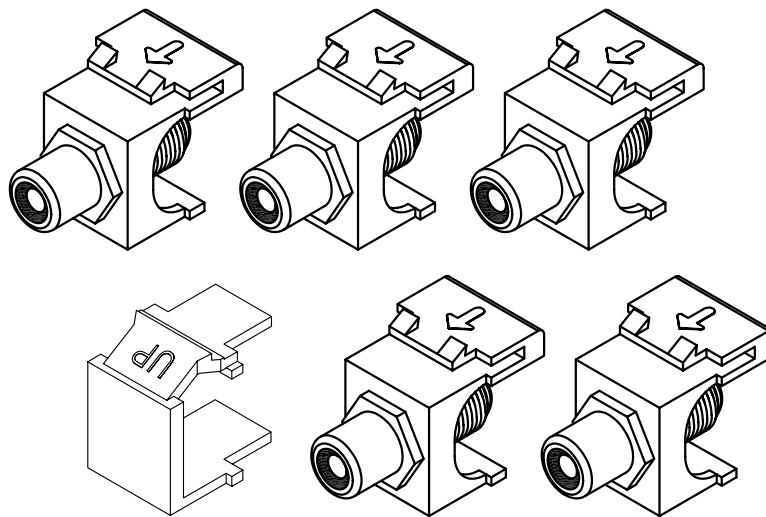


# Module, RCA F-TYPE, Gold Plated, Component Kit

## PRODUCT SPECIFICATION

### Package includes:

- A. RCA F-Type, Red Insulator, 2 pcs
- B. RCA F-Type, Green Insulator, 1pc
- C. RCA F-Type, Blue Insulator, 1 pc
- D. RCA F-Type, White Insulator, 1pc
- E. Blank Module, 1 pc



### Features and Benefits:

- Gold plating for improved performance with superior signal quality with minimal noise
- Used for audio and video applications
- Colored insulators providing for quick and easy identification of the type of signal carried on the circuit, making it easy to separate audio and video signals
- Rear threaded F-Type connectors for secure in-wall connections with both RG6 and RG59 coaxial cables
- Provides a clean and neat appearance installation
- Compatible with all IC107 faceplates, inserts, surface mount boxes, and blank patch panels
- Compatible with all IC108 furniture faceplates, bezels, and surface mount boxes
- Housing color available in almond, black, ivory, and white

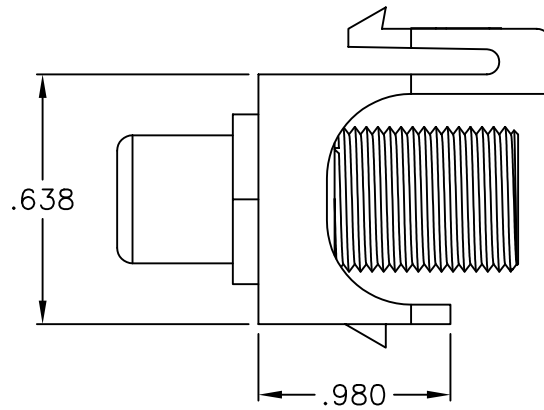
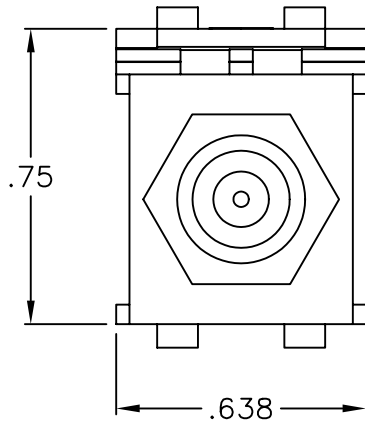
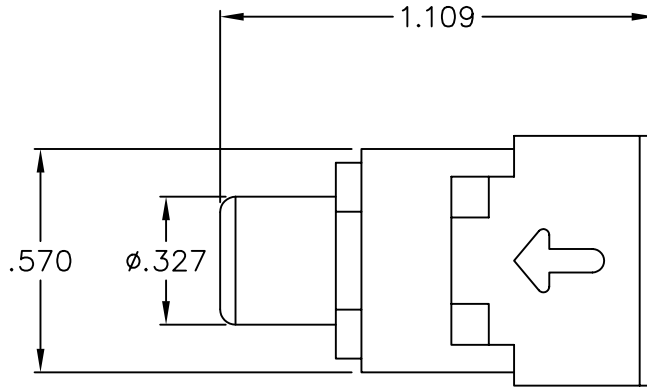
### MODULE, RCA F-TYPE , GOLD, COMPONENT KIT

ITEM NO.	IC107RF500
DWG NO.	PS107RF500

REV.	C
PAGE NO.	1



CUSTOMER CARE / TECHNICAL SUPPORT \* CSR@ICC.COM / 888-ASK-4-ICC (275-4422) \* 14700 Alondra Blvd., La Mirada, CA 90638 \* www.icc.com



**NOTE: UNLESS OTHERWISE SPECIFIED**

1. HOUSING:

- A. MATERIAL: ABS, UL 94V-0
- B. COLOR: XX: AL-ALMOND, BK-BLACK, IV-IVORY, WH-WHITE

2. MECHANICAL

- A. BODY: BRASS WITH FLASH GOLD PLATING
- B. INSULATION: PP
- C. CONTACT: BRASS WITH FLASH NICKEL PLATING

3. ELECTRICAL:

- A. CONTACT RESISTANCE: 30M OHM MAX.
- B. INSULATION RESISTANCE: 100M OHM MIN. @ 500V DC
- C. DIELECTRIC STRENGTH: 500V FOR ONE MINUTE

**MODULE, RCA F-TYPE , GOLD, COMPONENT KIT**

ITEM NO.	IC107RF500	REV.	C
DWG NO.	PS107RF500	PAGE NO.	2



CUSTOMER CARE / TECHNICAL SUPPORT \* CSR@ICC.COM / 888-ASK-4-ICC (275-4422) \* 14700 Alondra Blvd., La Mirada, CA 90638 \* www.icc.com