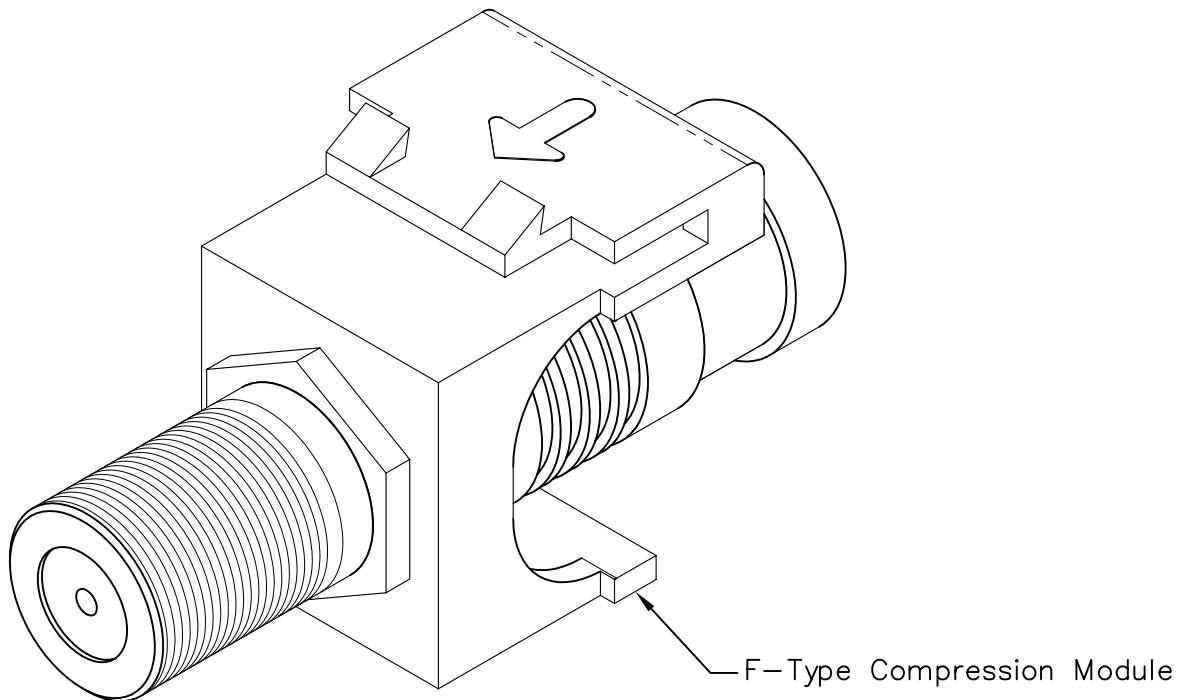


RG6 Quad F-Type Compression Module

PRODUCT SPECIFICATION


Package includes:

A. RG6 Quad F-Type Compression Module, 1 pc

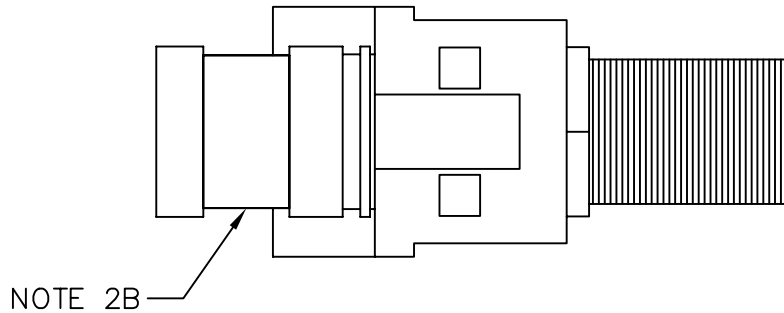
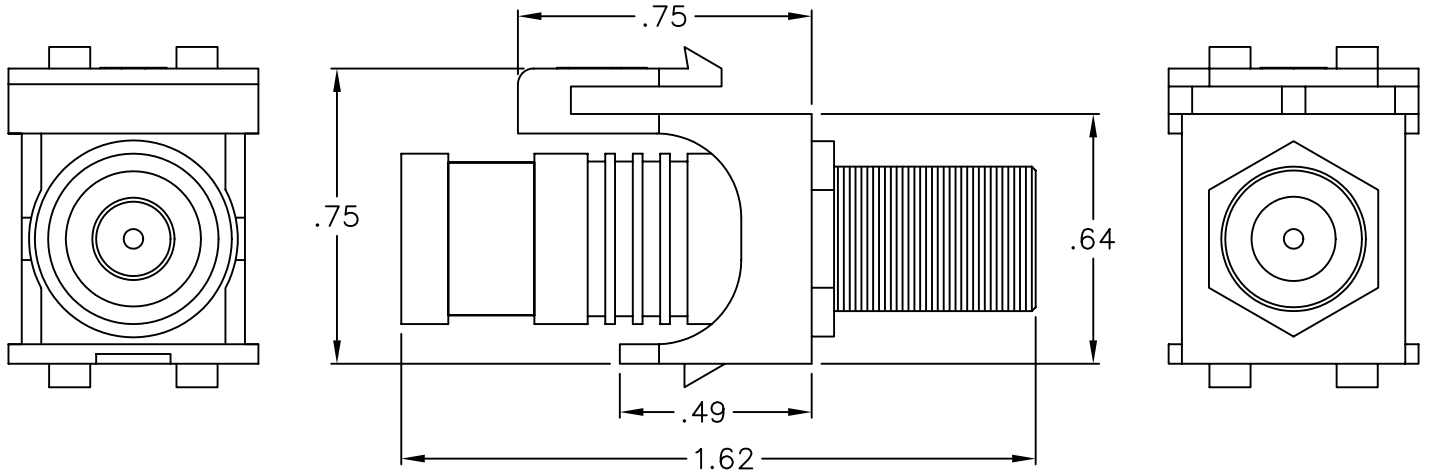
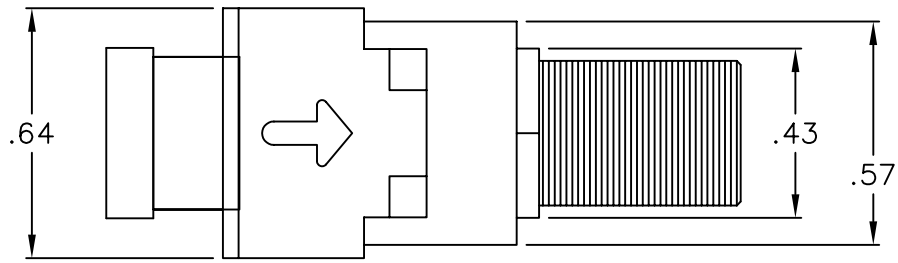


Features and Benefits:

- Improved performance and minimized signal loss by combining the compression connector and module into one single body
- Designed for RG6 quad shield coaxial cables on the rear side to provide high definition video and superior quality audio performance
- Provides a clean and neat appearance installation
- Compatible with all IC107 faceplates, inserts, surface mount boxes, and blank patch panels
- Compatible with all IC108 furniture faceplates, bezels, and surface mount boxes
- Used with ICC RG6 F-Type ICPCSF patch cords and universal compression tool ICACST01U
- Available in white

MODULE, CRIMP, F-TYPE, RG6Q		 <i>PremiumProducts</i> <i>ProvenPerformance</i> <i>CompetitivePrices</i>	
ITEM NO.	IC107FQGXX		REV. A
DWG NO.	PS107FQG00		PAGE NO. 1

CUSTOMER CARE / TECHNICAL SUPPORT * CSR@ICC.COM / 888-ASK-4-ICC (275-4422) *14700 Alondra Blvd., La Mirada, CA 90638 *icc.com



NOTE: UNLESS OTHERWISE SPECIFIED

1. HOUSING:


- A. MATERIAL: ABS, UL 94V-0
- B. COLOR: XX: WH-WHITE

2. F-TYPE COMPRESSION CONNECTOR:

- A. MATERIAL: BRASS AND NICKEL FINISH
- B. BAND COLOR: BLUE

3. MECHANICAL:

- A. CABLE APPLICATION: <20 LBS MAX INSERTION
- B. EQUIPMENT INTERFACE: >10 MATINGS WITHOUT DAMAGE
- C. PULL FORCE: >40 LBS

MODULE, CRIMP, F-TYPE, RG6Q		 <i>PremiumProducts</i> <i>ProvenPerformance</i> <i>CompetitivePrices</i>	
ITEM NO.	IC107FQGXX		REV. A
DWG NO.	PS107FQG00		PAGE NO. 2

CUSTOMER CARE / TECHNICAL SUPPORT * CSR@ICC.COM / 888-ASK-4-ICC (275-4422) *14700 Alondra Blvd., La Mirada, CA 90638 *icc.com