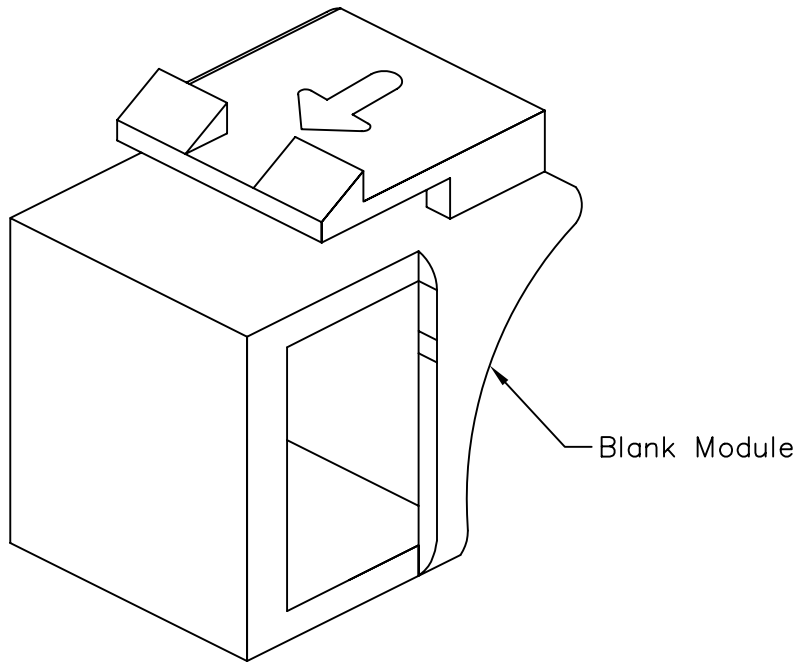


Blank Fill-In Module

PRODUCT SPECIFICATION

Package includes:

A. Blank Module, 10 pcs



Features and Benefits:

- Fills unused ports allowing for future upgrades
- Compatible with all IC107 faceplates, inserts, surface mount boxes, and blank patch panels
- Compatible with all IC108 furniture faceplates, bezels, and surface mount boxes
- Available in almond, black, gray, ivory, and white
- UL listed

MODULE, BLANK, 10 PK

ITEM NO. IC107BN0XX

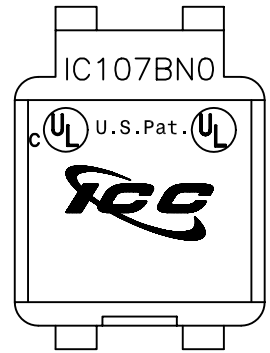
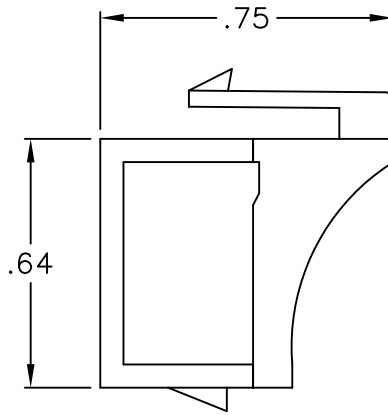
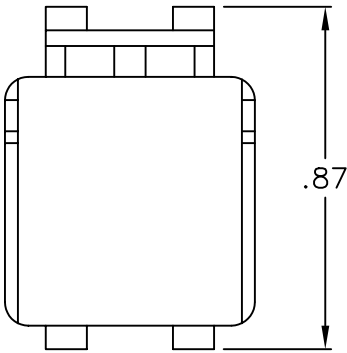
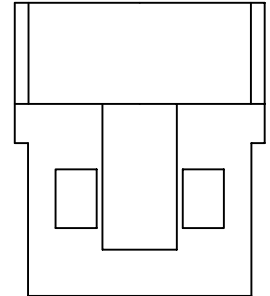
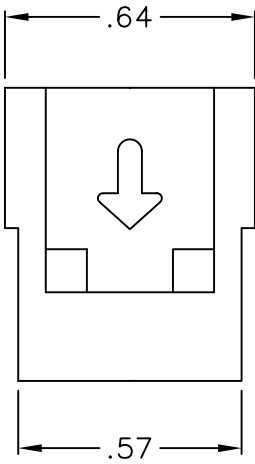
REV. B

DWG NO. PS107BN000

PAGE NO. 1




CUSTOMER CARE / TECHNICAL SUPPORT * CSR@ICC.COM / 888-ASK-4-ICC (275-4422) * 14700 Alondra Blvd., La Mirada, CA 90638 * www.icc.com



NOTE: UNLESS OTHERWISE SPECIFIED

- 1. MATERIAL: ABS, UL 94V-0
- 2. COLOR: XX: AL-ALMOND, BK-BLACK, GY-GRAY, IV-IVORY, & WH-WHITE

UL US FILE NO. 125268

MODULE, BLANK, 10 PK		 <i>PremiumProducts</i> <i>ProvenPerformance</i> <i>CompetitivePrices</i>	
ITEM NO.	IC107BN0XX		REV. B
DWG NO.	PS107BN000		PAGE NO. 2

CUSTOMER CARE / TECHNICAL SUPPORT * CSR@ICC.COM / 888-ASK-4-ICC (275-4422) * 14700 Alondra Blvd., La Mirada, CA 90638 * www.icc.com