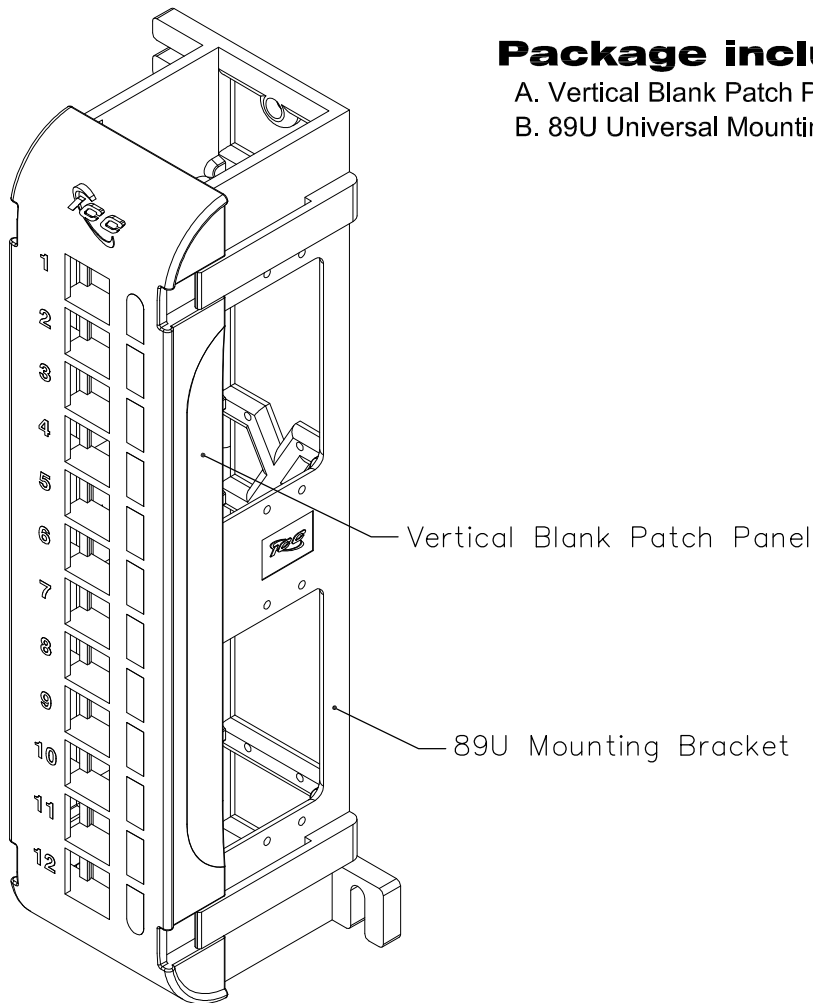


12-Port High Density Flush Vertical Blank Patch Panel

PRODUCT SPECIFICATION



Package includes:

- A. Vertical Blank Patch Panel, 1 pc
- B. 89U Universal Mounting Bracket, 1 pc

Features and Benefits:

- Designed to support the distribution of voice, data, audio, video, and fiber optic needs for commercial or residential applications
- Ideal for use in high density applications with more connectivity in less space
- Accommodates a wide variety of easy to snap-in modules, providing configuration flexibility
- Panel is configurable with HD style modular connectors only
- Two-piece design; patch panel with 89U mounting bracket
- 10" H x 3.30" W x 2.80" D
- UL Listed

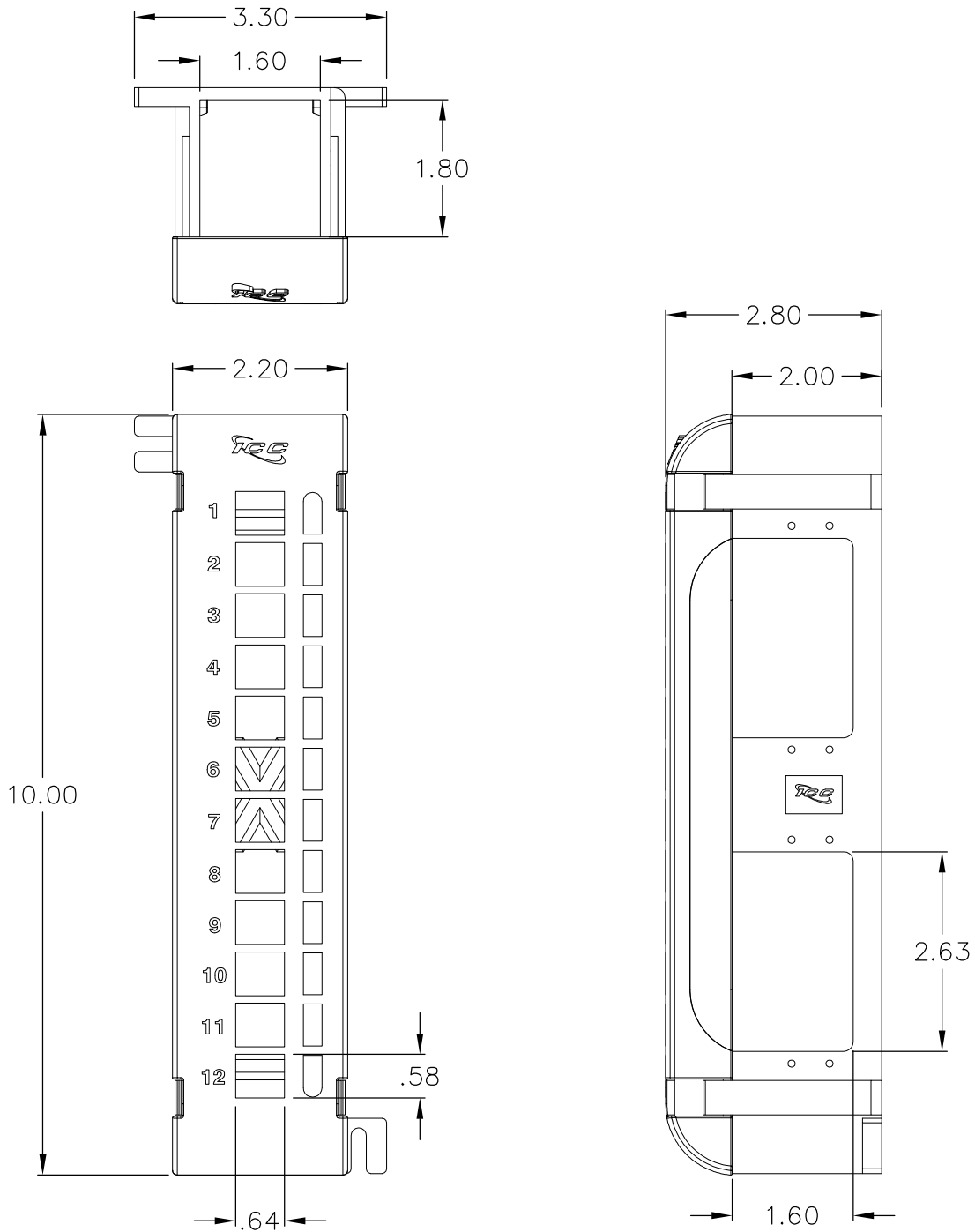
PATCH PANEL, BLANK, VERTICAL, HD, 12-PORT

ITEM NO.	IC107BP12V
DWG NO.	PS107BP12V

REV.	C
PAGE NO.	1




CUSTOMER CARE / TECHNICAL SUPPORT * CSR@ICC.COM / 888-ASK-4-ICC (275-4422) * 14700 Alondra Blvd., La Mirada, CA 90638 * www.icc.com



NOTE: UNLESS OTHERWISE SPECIFIED

- 1. BLANK PATCH PANEL:
 - A. MATERIAL: ABS+PC, UL 94V-0
 - B. COLOR: BLACK
- 2. 89U MOUNTING BRACKET:
 - A. MATERIAL: ABS, UL 94V-2
 - B. COLOR: BLACK

UL US FILE NO. 125268

PATCH PANEL, BLANK, VERTICAL, HD, 12-PORT		 Premium Products Proven Performance Competitive Prices
ITEM NO.	IC107BP12V	
DWG NO.	PS107BP12V	PAGE NO. 2

CUSTOMER CARE / TECHNICAL SUPPORT * CSR@ICC.COM / 888-ASK-4-ICC (275-4422) * 14700 Alondra Blvd., La Mirada, CA 90638 * www.icc.com