

## 6.4" Industrial TFT LCD Flush Mount Monitor



**WDL-6400MFM**

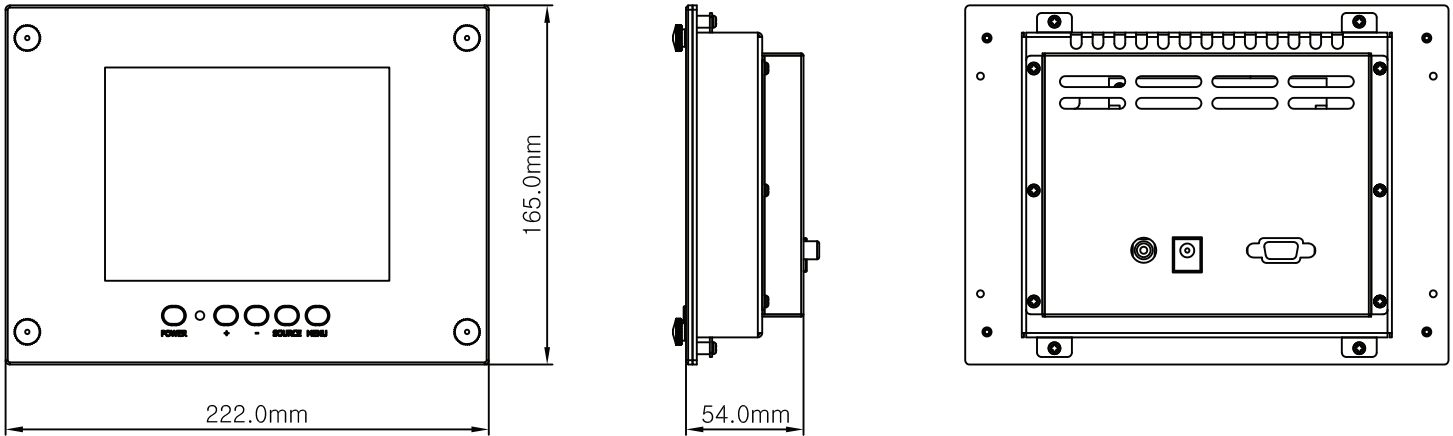
### MAIN FEATURES

- High Resolution 640x480
- Thin Cross Section - Less than 2.5" Deep Panel
- 262,144 Colors for True Color Rendition
- Multiple Inputs - Composite Video, D-Sub
- Contrast Ratio of 400:1
- Brightness of 250 cd/m<sup>2</sup>
- Wide Viewing Angle -130 Degrees (H) x 110 Degrees (V)
- On-Screen Menu Display for Feature and Video Adjustments
- Power Supply Included

**WELDEX CAN CUSTOMIZE LCDS FOR YOUR SPECIFIC NEED!!**

# WDL-6400MFM (Industrial TFT LCD Flush Mount Monitor)

## DIMENSIONS



## SPECIFICATIONS

MODEL	WDL-6400MFM
Display Type	Active Matrix Color TFT LCD
Screen Size	6.4" (Diagonal)
Active Area	130.56mm x 97.92mm
Viewing Angle	130 Degrees (H) x 110 Degrees (V)
Pixel Pitch(mm)	0.264(H) x 0.264(V)
Wall Mounting	YES
Brightness	250 cd/m <sup>2</sup>
Resolution	640 x 480
Display Color	262,144 Colors
Pixel Format	RGB Stripe
Interface	Digital 6BIT
Video Input	Analog R.G.B(0.7Vp-p), Composite(0.7Vp-p)
Contrast Ratio	400:1
AC/DC Adaptor	AC 100-240, 60/50Hz, DC12V/3.0A
Plug & Play Level	VESA DDC 1/2B
I/O Connector	DC Power In(DC 12V), VGA 15Pin D-Sub, Audio_L/R In & Speaker Out & Speaker In
System Type	NTSC / PAL / SECAM / AUTO
Power Requirements	30W, Saving Mode : 5W
Weight(Net)	2lbs
Size(WxDxH)	222mm x 165mm x 54mm