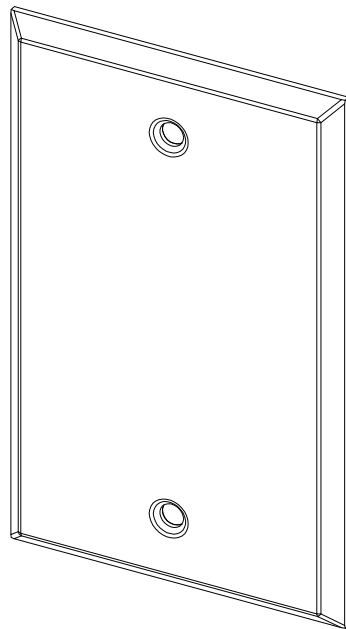


# Single Gang Stainless Steel Blank Faceplate

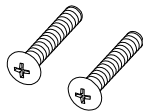
## PRODUCT SPECIFICATION

### Package includes:

- A. Blank Single Gang Stainless Steel Faceplate, 1 pc
- B. #6-32 x 3/4" Oval Head, Countersink, Phillips Drive, Machine Screw, 2 pcs



Blank Stainless Steel Faceplate



### Features and Benefits:

- Configured to fit standard double gang outlet box
- Designed for commercial or residential applications
- UL listed

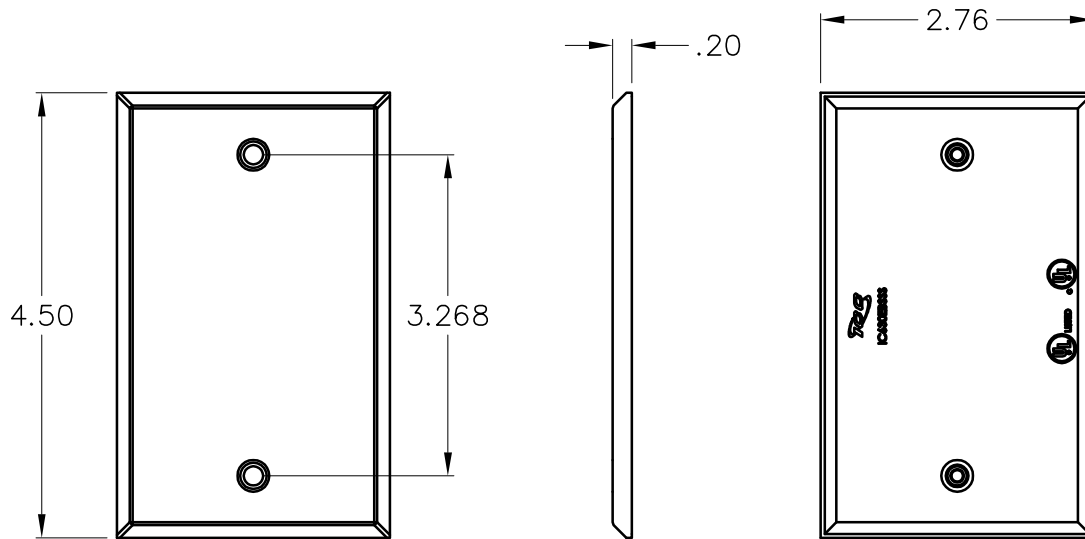
### FACEPLATE, 1-GANG, STAINLESS, BLANK

ITEM NO.	IC630EBSSS
DWG NO.	PS630EBSSS

REV.	A
PAGE NO.	1



CUSTOMER CARE / TECHNICAL SUPPORT \* CSR@ICC.COM / 888-ASK-4-ICC (275-4422) \* 14700 Alondra Blvd., La Mirada, CA 90638 \* www.icc.com



**NOTE: UNLESS OTHERWISE SPECIFIED**

1. MATERIAL:

- A. FACEPLATE: 22 GA, AISI 304 STAINLESS STEEL
- B. FINISH: #4B

UL US FILE NO. 125268

<b>FACEPLATE, 1-GANG, STAINLESS, BLANK</b>			
ITEM NO.	IC630EBSSS		REV. A
DWG NO.	PS630EBSSS		PAGE NO. 2

CUSTOMER CARE / TECHNICAL SUPPORT \* CSR@ICC.COM / 888-ASK-4-ICC (275-4422) \* 14700 Alondra Blvd., La Mirada, CA 90638 \* www.icc.com