

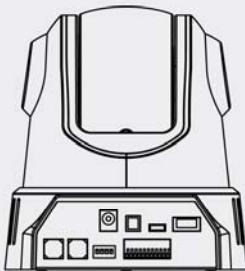
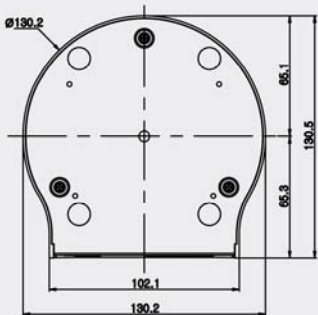
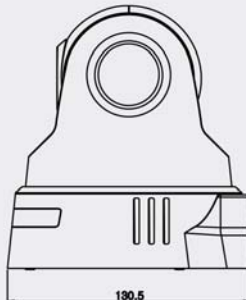
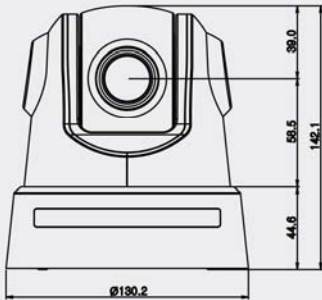


Features

- 1/4" IT CCD
- High Resolution : 550TV Lines
- Built-in Auto Focus/Auto Iris
- Max. 100x Zoom (10x Optical/10x Digital)
- TDN(ICR), DSS, OSD, SDNR
- Max. Speed : Pan(360°/sec), Swing(190°/sec)
- Angular Travel : Pan (Non-Endless 345°), Tilt(190°)
- 127 Presets, 8 Swing, 4 Patterns, 8 Groups
- Privacy Zone, Auto Flip, Auto Parking
- PM1063x is ideal for video conferencing
- RS-485 Interface
- Remote Controller, USB



DIMENSIONS



SPECIFICATIONS

Model	PM1063N	PM1063P
Signal System	NTSC	PAL
Image Sensor	1/4 Inch IT CCD	
Scanning Frequency (H)	811(H) x 508(V) 410K	795(H) x 596(V) 470K
Scanning Frequency (V)	768(H) x 494(V) 380K	752(H) x 582(V) 440K
Horizontal Resolution	560 TV Lines	
S/N Ratio	More than 50dB (AGC Off, BW Mode)	
Lens	Max. 100x Zoom(10x Optical, 10x Digital, f=3.8~38mm F1.8)	
Min. Illumination	0.7 Lux (Color) / 0.02 Lux (B/W), 50IRE	
Day & Night	Auto / Day / Night (ICR, AC Type)	
Focus	Auto / Manual / Semi Auto	
OSD	Menu / PTZ Information Etc.	
SDNR	Low / Middle / High / Off	
AGC	Normal / High / Off	
BLC	Low / Middle / High / Off	
Flickerless	Selectable	
White Balance	Auto / Manual (Red, Blue Gain Adjustable)	
Panning/Tilting Range	Pan: 345° (Non-Endless rotation) Tilt: 190° (Auto Flip), 100° (Manual)	
Panning/Tilting Speed	Manual: 0.05° ~ 200°/sec; Preset: 360°/sec; Swing: 1° ~ 180°/sec	
Preset	127 position with Labels	
Swing / Pattern / Group	8 Swings/4 Patterns /8 groups (max. 20)	
Power-up Action	Resume the last action executed (Preset, Swing, Group)	
Auto Parking / Flip	ON/OFF; ON/OFF	
Privacy Zone	4 Zone	
Shutter Speed	1/60~1/120,000 sec	1/50~1/120,000 sec
Protocol	Pelco-D, Pelco-P	
Alarm I/O	4 Input, 1 Output	
Supplied Voltage	12VDC (10V~15V) / 1A	
Dimensions	130.2 (Ø) x 142.1 (H) mm	
Weight (Net)	Approx. 1Kg	