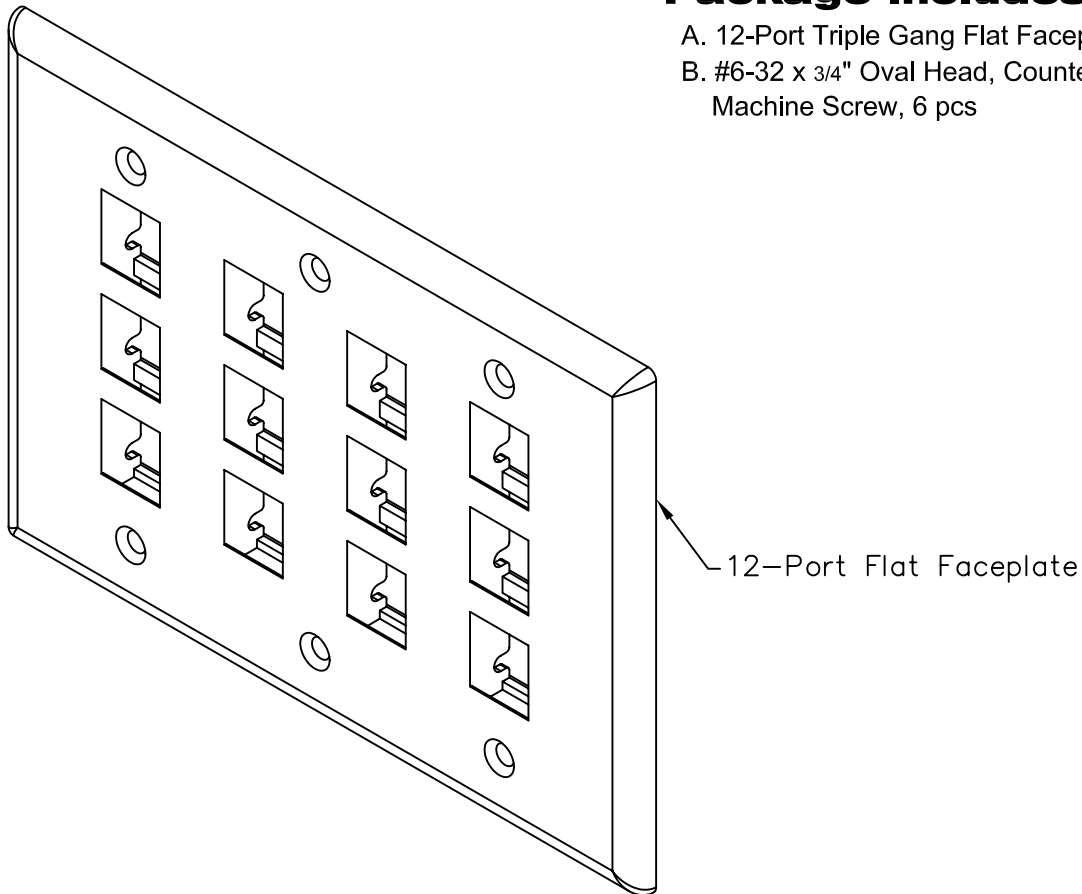


12-Port Triple Gang Flat Faceplate

PRODUCT SPECIFICATION

Package includes:

- A. 12-Port Triple Gang Flat Faceplate, 1 pc
- B. #6-32 x 3/4" Oval Head, Countersink Machine Screw, 6 pcs



Features and Benefits:

- Configured to fit standard triple gang outlet box
- Designed to support the distribution of voice, data, and other communication needs to the work area for commercial or residential applications
- Rugged and durable construction
- Accommodates a wide variety of easy to snap-in modules, providing configuration flexibility
- Accepts all IC107 modules
- Available in gray, ivory, and white
- UL listed

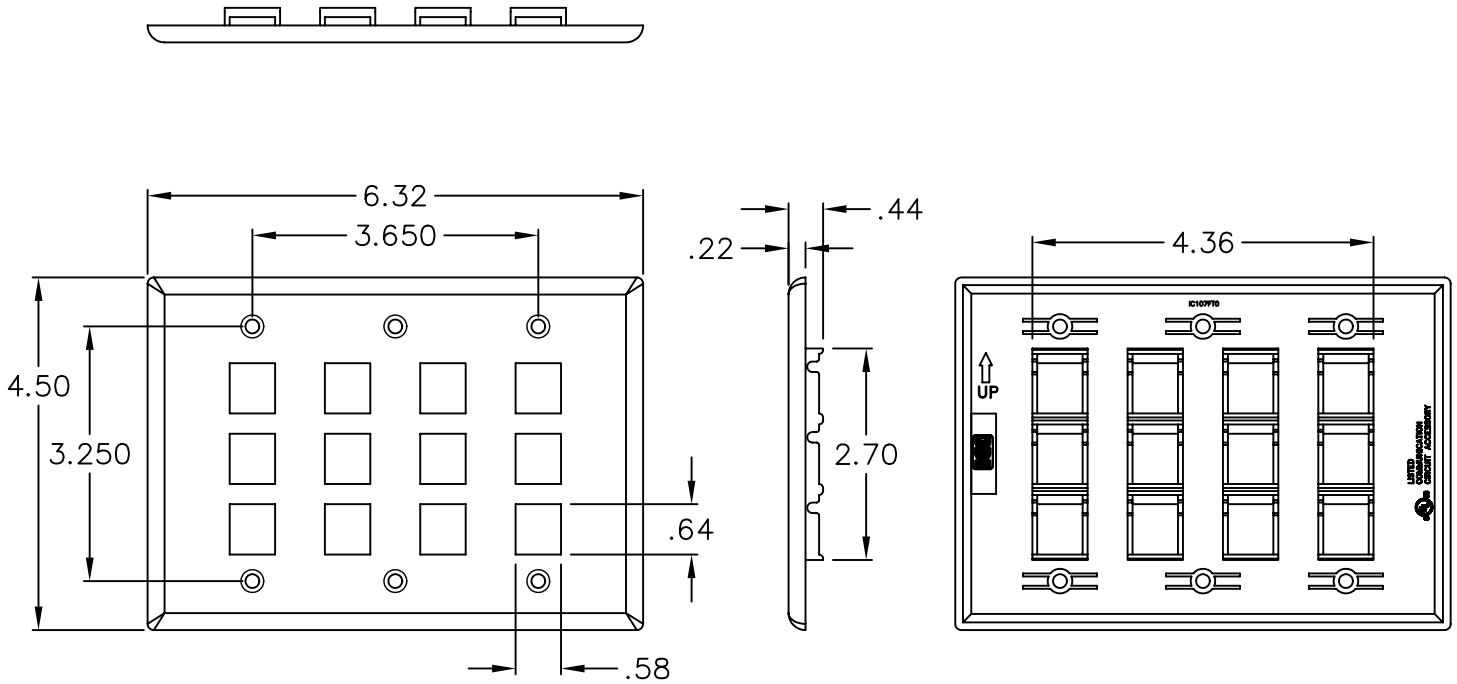
FACEPLATE, FLAT, 3-GANG, 12-PORT

ITEM NO.	IC107FT0XX
DWG NO.	PS107FT000

REV.	A
PAGE NO.	1




CUSTOMER CARE / TECHNICAL SUPPORT * CSR@ICC.COM / 888-ASK-4-ICC (275-4422) * 14700 Alondra Blvd., La Mirada, CA 90638 * www.icc.com



NOTE: UNLESS OTHERWISE SPECIFIED

1. MATERIAL: ABS, UL 94V-0
2. FINISH: TEXTURE
3. COLOR: XX: GY-GRAY, IV-IVORY, & WH-WHITE

UL US FILE NO. 125268

FACEPLATE, FLAT, 3-GANG, 12-PORT		 PremiumProducts <i>ProvenPerformance</i> <i>CompetitivePrices</i>	
ITEM NO.	IC107FT0XX		REV. A
DWG NO.	PS107FT000		PAGE NO. 2

CUSTOMER CARE / TECHNICAL SUPPORT * CSR@ICC.COM / 888-ASK-4-ICC (275-4422) * 14700 Alondra Blvd., La Mirada, CA 90638 * www.icc.com