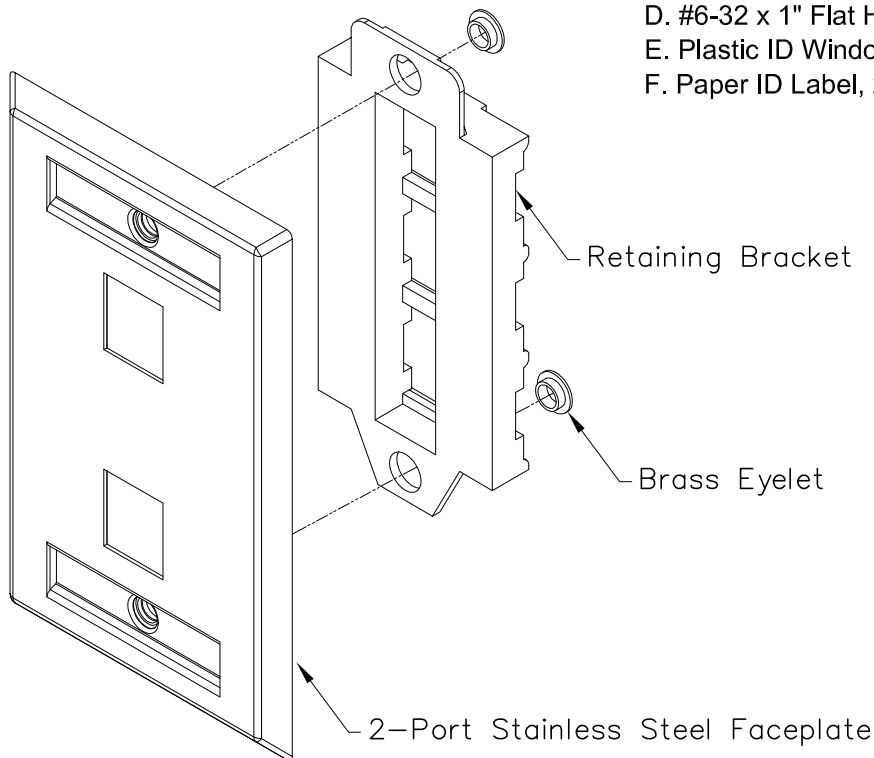


# 2-Port Single Gang Stainless Steel Faceplate

## PRODUCT SPECIFICATION


### Package includes:

- A. 2-Port Single Gang Stainless Steel ID Faceplate, 1 pc
- B. Retaining Bracket, 1 pc
- C. Brass Eyelet, 2 pcs
- D. #6-32 x 1" Flat Head, Machine Screw, 2 pcs
- E. Plastic ID Window, 2 pcs
- F. Paper ID Label, 2 pcs

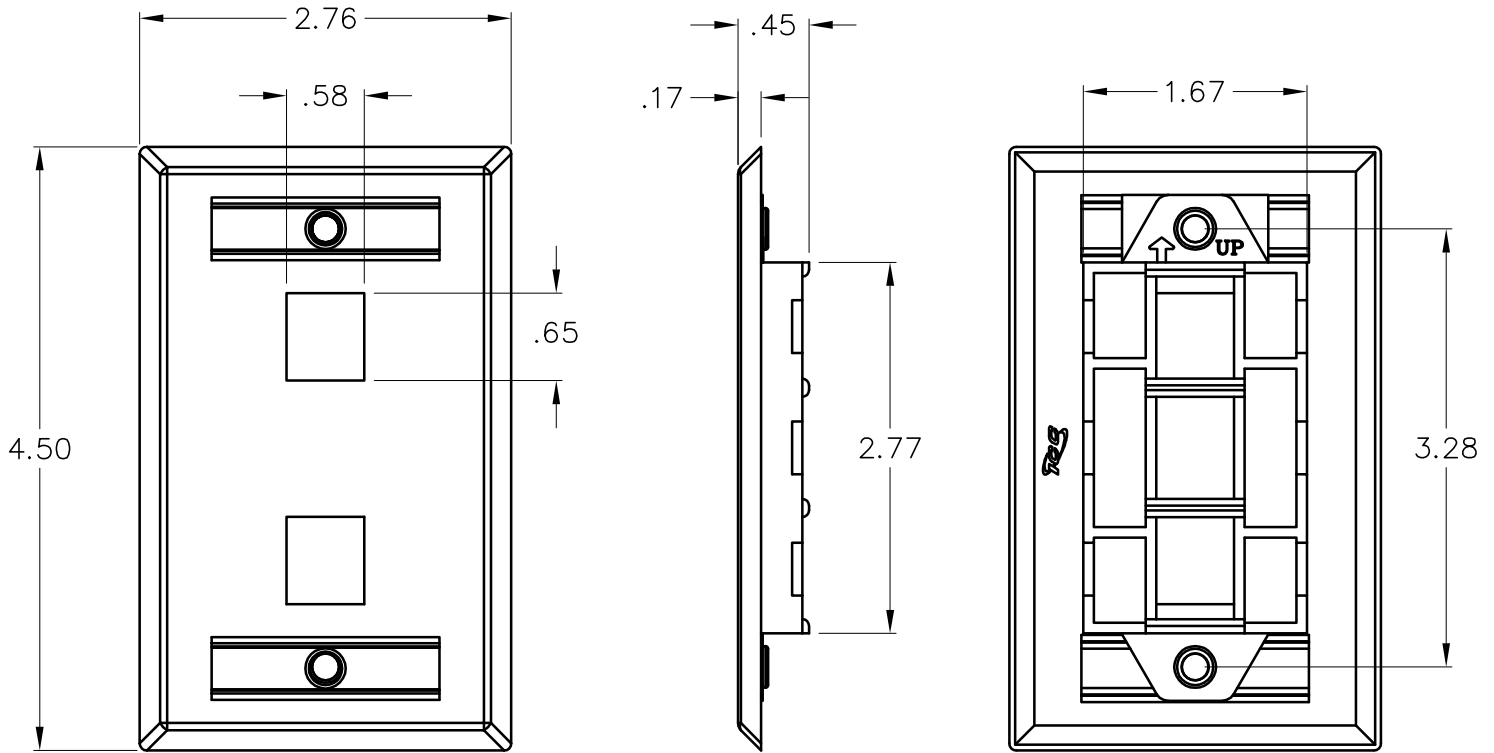


### Features and Benefits:

- Configured to fit standard single gang outlet box
- Designed to support the distribution of voice, data, and other communication needs to the work area for commercial or residential applications
- Easy station identification with use of enclosed labels
- Offers a flush face surface
- Accommodates a wide variety of easy to snap-in modules, providing configuration flexibility
- Accepts all IC107 modules
- UL listed

<b>FACEPLATE, ID, SS, 1-GANG, 2-PORT</b>		 <i>PremiumProducts</i> <i>ProvenPerformance</i> <i>CompetitivePrices</i>	
ITEM NO.	IC107S02SS		REV. A
DWG NO.	PS107S02SS		PAGE NO. 1

CUSTOMER CARE / TECHNICAL SUPPORT \* CSR@ICC.COM / 888-ASK-4-ICC (275-4422) \* 14700 Alondra Blvd., La Mirada, CA 90638 \* www.icc.com



**NOTE: UNLESS OTHERWISE SPECIFIED**


1. MATERIAL:

- A. FACEPLATE: 22 GA, AISI 304 STAINLESS STEEL
- B. RETAINING BRACKET: ABS, UL 94V-0

2. FINISH:

- A. FACEPLATE: #4B

UL US FILE NO. 125268

<b>FACEPLATE, ID, SS, 1-GANG, 2-PORT</b>		 <b>ICC</b> <i>Premium Products</i> <i>Proven Performance</i> <i>Competitive Prices</i>
ITEM NO.	IC107S02SS	
DWG NO.	PS107S02SS	PAGE NO. 2

CUSTOMER CARE / TECHNICAL SUPPORT \* CSR@ICC.COM / 888-ASK-4-ICC (275-4422) \* 14700 Alondra Blvd., La Mirada, CA 90638 \* www.icc.com